

IB L2 BOX 24 DO 4/4 M12-2A-D - I/O module



2732774

<https://www.phoenixcontact.com/us/products/2732774>

Please be informed that the data shown in this PDF document is generated from our online catalog. Please find the complete data in the user documentation. Our general terms of use for downloads are valid.



Digital output module, 4 digital outputs, 24 V DC, 2 A, 3-conductor connection technology, IP65/IP67 degree of protection, with cross connected outputs

The figure shows version IB L2 BOX 24
DIO 2/2/4 M12-2A

Commercial data

Item number	2732774
Packing unit	1 pc
Note	Made to order (non-returnable)
Sales key	NULL
Product key	DRIA33
GTIN	4017918173401
Weight per piece (including packing)	231 g
Weight per piece (excluding packing)	231 g
Customs tariff number	85371098
Country of origin	DE

IB L2 BOX 24 DO 4/4 M12-2A-D - I/O module



2732774

<https://www.phoenixcontact.com/us/products/2732774>

Technical data

Electrical properties

Test section	Between actuators and INTERBUS-Loop 2 500 V AC 50 Hz 1 min
--------------	--

Supply

I/O voltage	24 V DC (via INTERBUS-Loop 2)
I/O voltage range	19.2 V DC ... 30 V DC
Residual ripple	$\pm 1.2 V_{PP}$
Typical current consumption	40 mA (from INTERBUS-Loop 2)

Output data

Digital

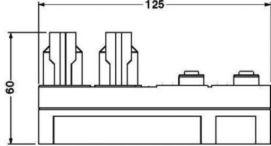
Number of outputs	4
Output voltage	$U_S - 1 V$
Protective circuit	Short-circuit and overload protection

Interfaces

INTERBUS-Loop 2

Connection method	QUICKON fast connection
-------------------	-------------------------

Dimensions

Dimensional drawing	
Width	62 mm
Height	60 mm
Length	125 mm

IB L2 BOX 24 DO 4/4 M12-2A-D - I/O module

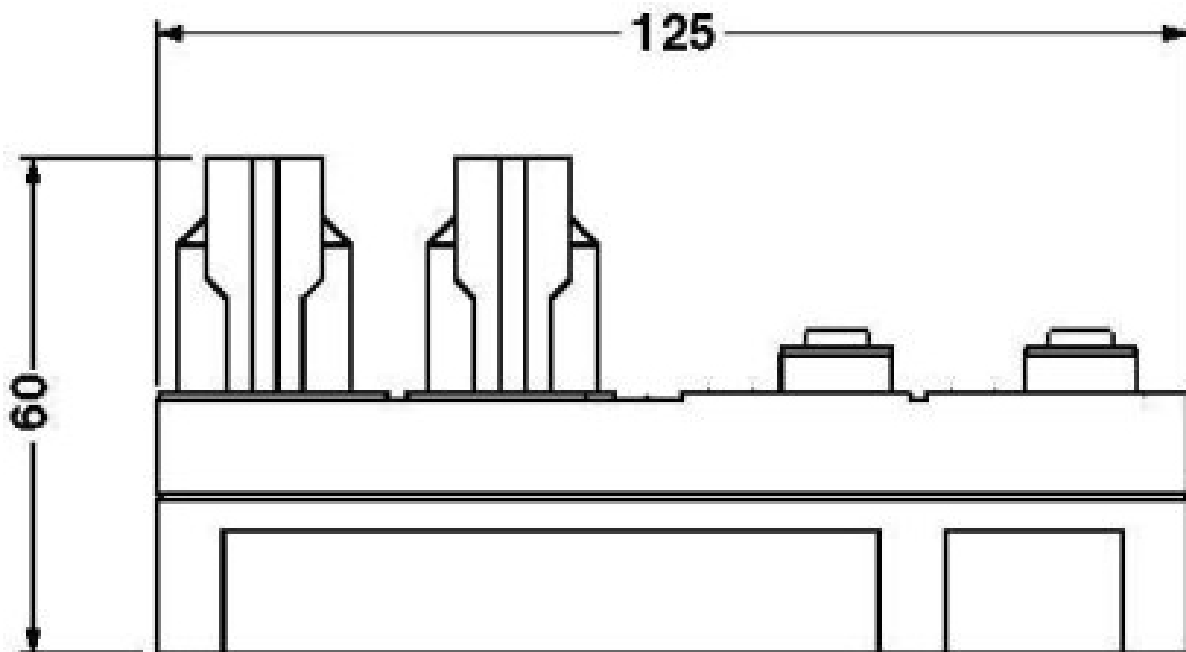


2732774

<https://www.phoenixcontact.com/us/products/2732774>

Drawings

Dimensional drawing

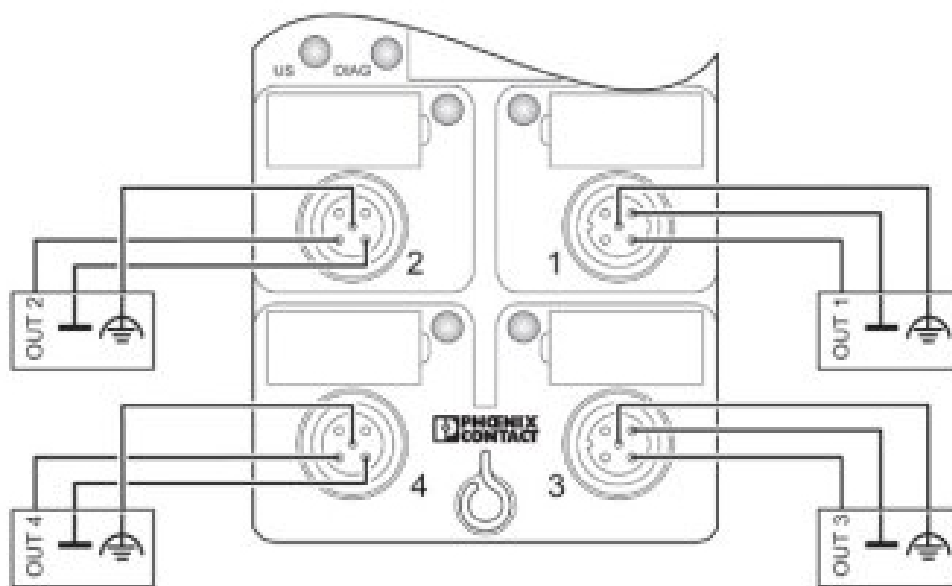


IB L2 BOX 24 DO 4/4 M12-2A-D - I/O module

2732774

<https://www.phoenixcontact.com/us/products/2732774>

Connection diagram



IB L2 BOX 24 DO 4/4 M12-2A-D - I/O module



2732774

<https://www.phoenixcontact.com/us/products/2732774>

Environmental product compliance

China RoHS

Environment friendly use period (EFUP)	EFUP-E
	No hazardous substances above the limits

EU REACH SVHC

REACH candidate substance (CAS No.)	No substance above 0.1 wt%
-------------------------------------	----------------------------

Phoenix Contact 2026 © - all rights reserved
<https://www.phoenixcontact.com>

Phoenix Contact USA
586 Fulling Mill Road
Middletown, PA 17057, United States
(+717) 944-1300
info@phoenixcon.com