

IB L2 BOX 24 DO 4/4 M12-2A - I/O module



2732347

<https://www.phoenixcontact.com/us/products/2732347>

Please be informed that the data shown in this PDF document is generated from our online catalog. Please find the complete data in the user documentation. Our general terms of use for downloads are valid.



Digital output module, 4 digital outputs, 24 V DC, 2 A, 3-conductor connection technology, IP65/IP67 degree of protection

The figure shows version IB L2 BOX 24 DIO
2/2/4 M12-2A

Commercial data

| | |
|--------------------------------------|--------------------------------|
| Item number | 2732347 |
| Packing unit | 1 pc |
| Note | Made to order (non-returnable) |
| Sales key | DN16 |
| Product key | DRIA33 |
| GTIN | 4017918171360 |
| Weight per piece (including packing) | 231.2 g |
| Weight per piece (excluding packing) | 231.2 g |
| Customs tariff number | 85371098 |
| Country of origin | DE |

IB L2 BOX 24 DO 4/4 M12-2A - I/O module



2732347

<https://www.phoenixcontact.com/us/products/2732347>

Technical data

Electrical properties

| | |
|--------------|--|
| Test section | Between actuators and INTERBUS-Loop 2 500 V AC 50 Hz 1 min |
|--------------|--|

Supply

| | |
|-----------------------------|-------------------------------|
| I/O voltage | 24 V DC (via INTERBUS-Loop 2) |
| I/O voltage range | 19.2 V DC ... 30 V DC |
| Residual ripple | $\pm 1.2 V_{PP}$ |
| Typical current consumption | 40 mA (from INTERBUS-Loop 2) |

Output data

Digital

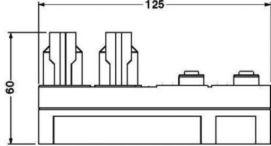
| | |
|--------------------|---------------------------------------|
| Number of outputs | 4 |
| Output voltage | $U_S - 1 V$ |
| Protective circuit | Short-circuit and overload protection |

Interfaces

INTERBUS-Loop 2

| | |
|-------------------|-------------------------|
| Connection method | QUICKON fast connection |
|-------------------|-------------------------|

Dimensions

| | |
|---------------------|--|
| Dimensional drawing |  |
| Width | 62 mm |
| Height | 60 mm |
| Length | 125 mm |

IB L2 BOX 24 DO 4/4 M12-2A - I/O module

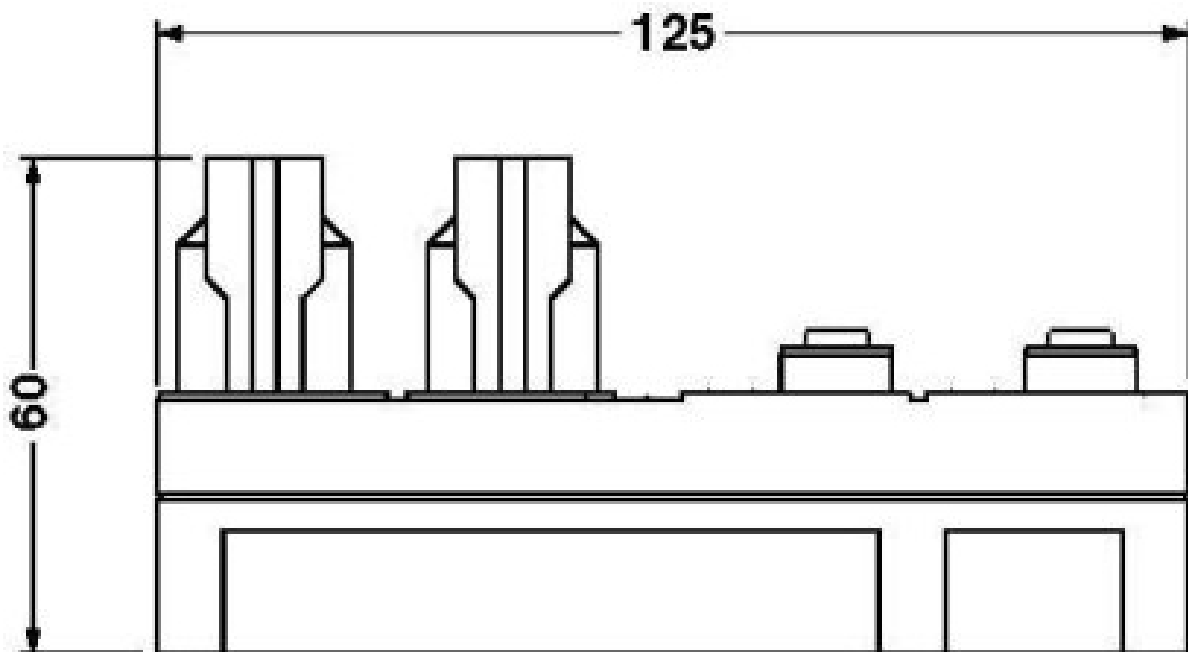
2732347

<https://www.phoenixcontact.com/us/products/2732347>



Drawings

Dimensional drawing

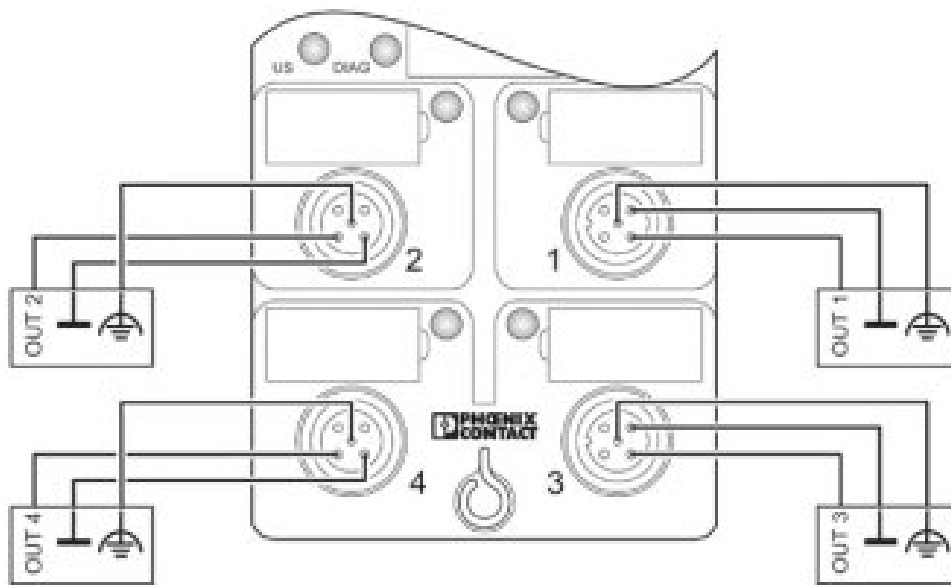


IB L2 BOX 24 DO 4/4 M12-2A - I/O module

2732347

<https://www.phoenixcontact.com/us/products/2732347>

Connection diagram



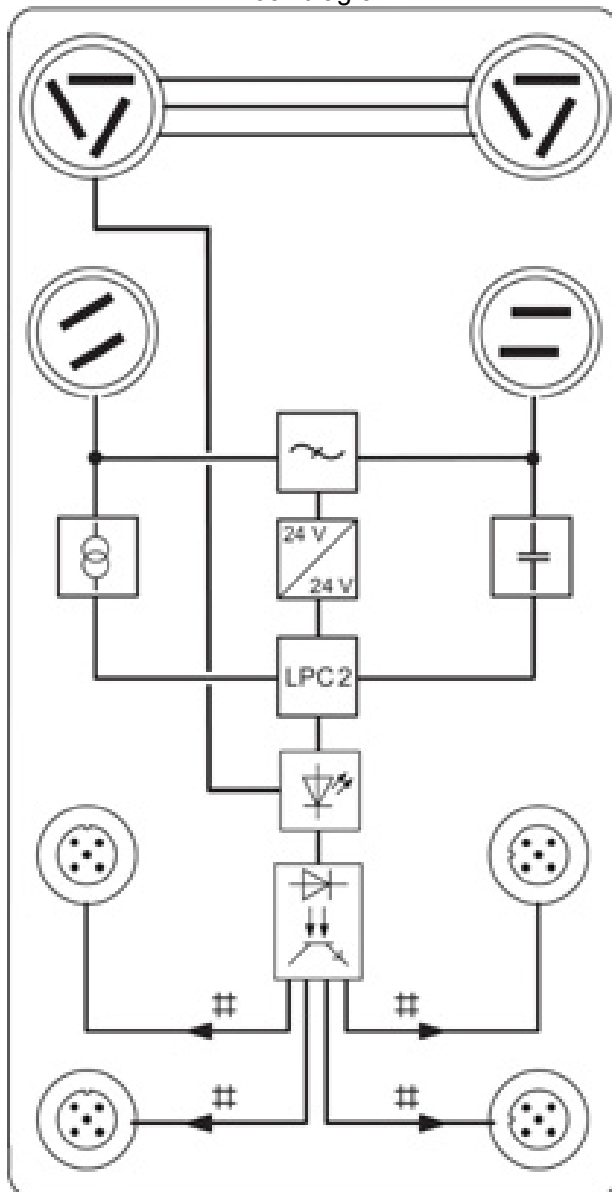
IB L2 BOX 24 DO 4/4 M12-2A - I/O module

2732347

<https://www.phoenixcontact.com/us/products/2732347>



Block diagram



IB L2 BOX 24 DO 4/4 M12-2A - I/O module



2732347

<https://www.phoenixcontact.com/us/products/2732347>

Environmental product compliance

China RoHS

| | |
|--|--|
| Environment friendly use period (EFUP) | EFUP-E |
| | No hazardous substances above the limits |

EU REACH SVHC

| | |
|-------------------------------------|----------------------------|
| REACH candidate substance (CAS No.) | No substance above 0.1 wt% |
|-------------------------------------|----------------------------|

Phoenix Contact 2026 © - all rights reserved
<https://www.phoenixcontact.com>

Phoenix Contact USA
586 Fulling Mill Road
Middletown, PA 17057, United States
(+717) 944-1300
info@phoenixcon.com