

IB L2 BOX 24 DIO 2/2/4 M12-2A - I/O module



2732004

<https://www.phoenixcontact.com/us/products/2732004>

Please be informed that the data shown in this PDF document is generated from our online catalog. Please find the complete data in the user documentation. Our general terms of use for downloads are valid.



Digital input/output module, 2 digital inputs, 24 V DC, 4-conductor connection technology, 2 digital outputs, 24 V DC, 2 A, 3-conductor connection technology, IP65/IP67 degree of protection

Commercial data

Item number	2732004
Packing unit	1 pc
Note	Made to order (non-returnable)
Sales key	DN16
Product key	DRIA33
GTIN	4017918171353
Weight per piece (including packing)	230 g
Weight per piece (excluding packing)	230 g
Customs tariff number	85371098
Country of origin	DE

IB L2 BOX 24 DIO 2/2/4 M12-2A - I/O module



2732004

<https://www.phoenixcontact.com/us/products/2732004>

Technical data

Electrical properties

Test section	Between US1 and US2	500 V AC 50 Hz 1 min
	Between US1 and the functional ground	500 V AC 50 Hz 1 min
	Between US2 and the functional ground	500 V AC 50 Hz 1 min
	Between US1 and relay contacts	2.5 V AC 50 Hz 1 min
	Between US2 and relay contacts	2.5 V AC 50 Hz 1 min
	Between relay contacts and the functional ground	2.5 V AC 50 Hz 1 min

Supply

I/O voltage	± 5 % (ripple)
I/O voltage range	19.2 V DC ... 30 V DC
Typical current consumption	40 mA (from INTERBUS-Loop 2)

Input data

Digital

Number of inputs	2
Input voltage range "0" signal	0 V DC ... 5 V DC
Input voltage range "1" signal	13 V ... 30 V
Protective circuit	Short-circuit protected initiator supply
Connection technology	4-conductor
Typical input current per channel	3 mA (at 24 V DC)

Output data

Digital

Number of outputs	2
Output voltage	$U_S - 1 \text{ V}$
Protective circuit	Short-circuit and overload protection

Interfaces

INTERBUS-Loop 2

Connection method	QUICKON fast connection
-------------------	-------------------------

Dimensions

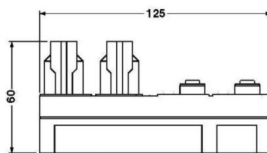
IB L2 BOX 24 DIO 2/2/4 M12-2A - I/O module



2732004

<https://www.phoenixcontact.com/us/products/2732004>

Dimensional drawing



Width	62 mm
Height	60 mm
Length	95 mm

IB L2 BOX 24 DIO 2/2/4 M12-2A - I/O module

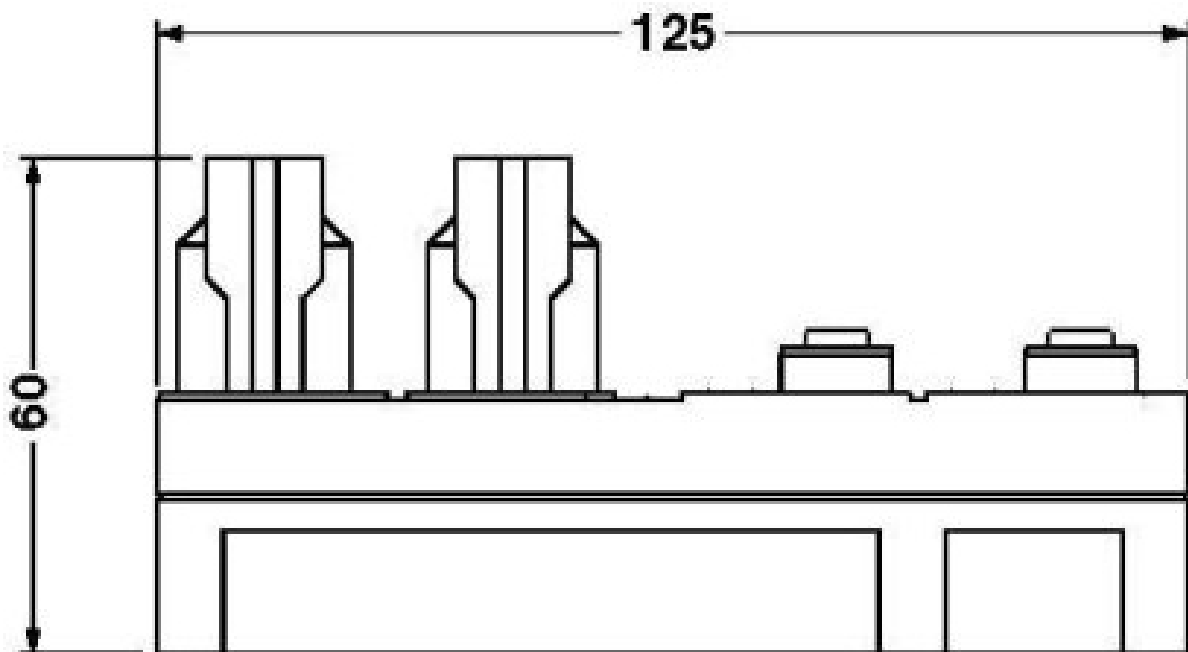
2732004

<https://www.phoenixcontact.com/us/products/2732004>



Drawings

Dimensional drawing

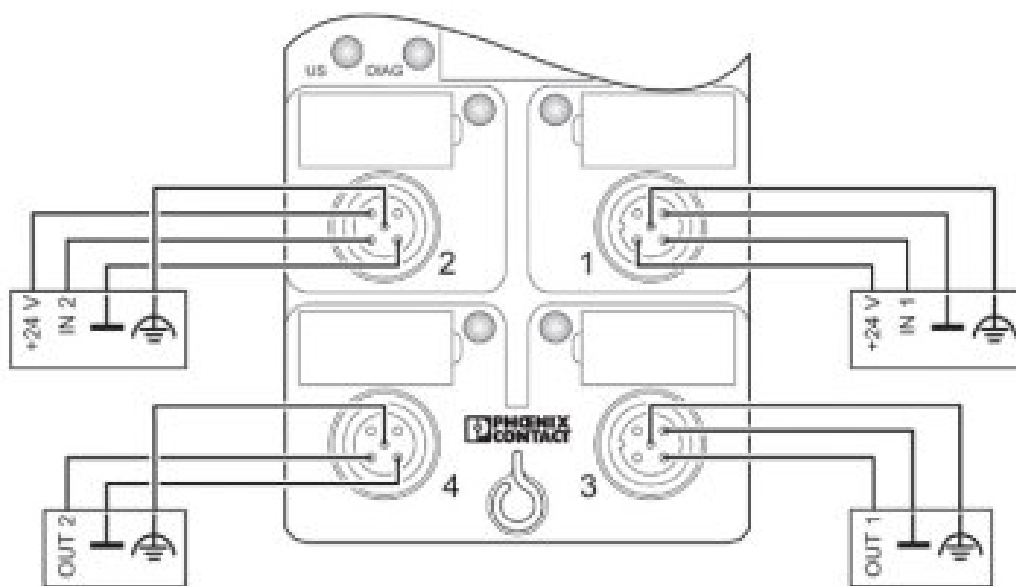


IB L2 BOX 24 DIO 2/2/4 M12-2A - I/O module

2732004

<https://www.phoenixcontact.com/us/products/2732004>

Connection diagram



IB L2 BOX 24 DIO 2/2/4 M12-2A - I/O module



2732004

<https://www.phoenixcontact.com/us/products/2732004>

Environmental product compliance

China RoHS

Environment friendly use period (EFUP)	EFUP-E
	No hazardous substances above the limits

EU REACH SVHC

REACH candidate substance (CAS No.)	No substance above 0.1 wt%
-------------------------------------	----------------------------

Phoenix Contact 2026 © - all rights reserved
<https://www.phoenixcontact.com>

Phoenix Contact USA
586 Fulling Mill Road
Middletown, PA 17057, United States
(+717) 944-1300
info@phoenixcon.com