

# IB L2 BOX 24 DI 4/4 M12 - I/O module



2731982

<https://www.phoenixcontact.com/us/products/2731982>

Please be informed that the data shown in this PDF document is generated from our online catalog. Please find the complete data in the user documentation. Our general terms of use for downloads are valid.



Digital input module, 4 digital inputs, 24 V DC, 4-conductor connection technology, IP65/IP67 degree of protection

## Commercial data

Item number	2731982
Packing unit	1 pc
Note	Made to order (non-returnable)
Sales key	DN16
Product key	DRIA33
GTIN	4017918171339
Weight per piece (including packing)	192.8 g
Weight per piece (excluding packing)	192.8 g
Customs tariff number	85389091
Country of origin	DE

# IB L2 BOX 24 DI 4/4 M12 - I/O module



2731982

<https://www.phoenixcontact.com/us/products/2731982>

## Technical data

### Electrical properties

#### Supply

I/O voltage	24 V DC (via INTERBUS-Loop 2)
I/O voltage range	19.2 V DC ... 30 V DC
Residual ripple	± 1.2 V DC
Typical current consumption	40 mA (from INTERBUS-Loop 2)

### Input data

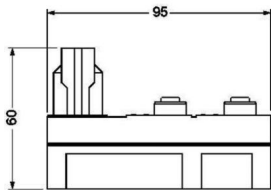
#### Digital

Number of inputs	4
Input voltage	24 V DC
Input voltage range "0" signal	0 V ... 5 V
Input voltage range "1" signal	13 V ... 30 V
Connection technology	4-conductor
Typical input current per channel	3 mA (at 24 V DC)

### Interfaces

Connection method	QUICKON fast connection
Transmission physics	Copper

### Dimensions

Dimensional drawing	
Length	60 mm

### Material specifications

Color	green
-------	-------

# IB L2 BOX 24 DI 4/4 M12 - I/O module

2731982

<https://www.phoenixcontact.com/us/products/2731982>



## Drawings

### Dimensional drawing

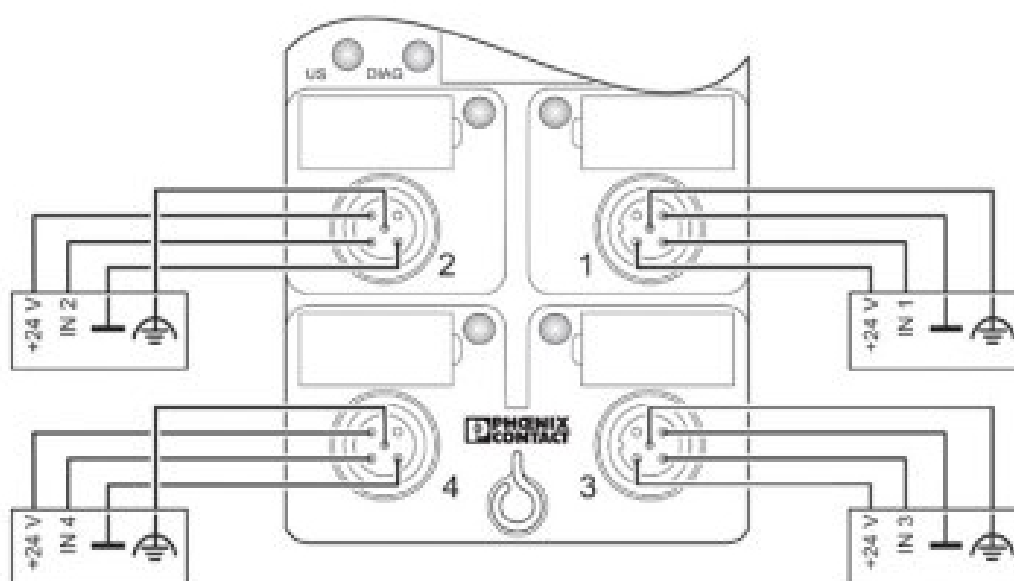


# IB L2 BOX 24 DI 4/4 M12 - I/O module

2731982

<https://www.phoenixcontact.com/us/products/2731982>

Connection diagram



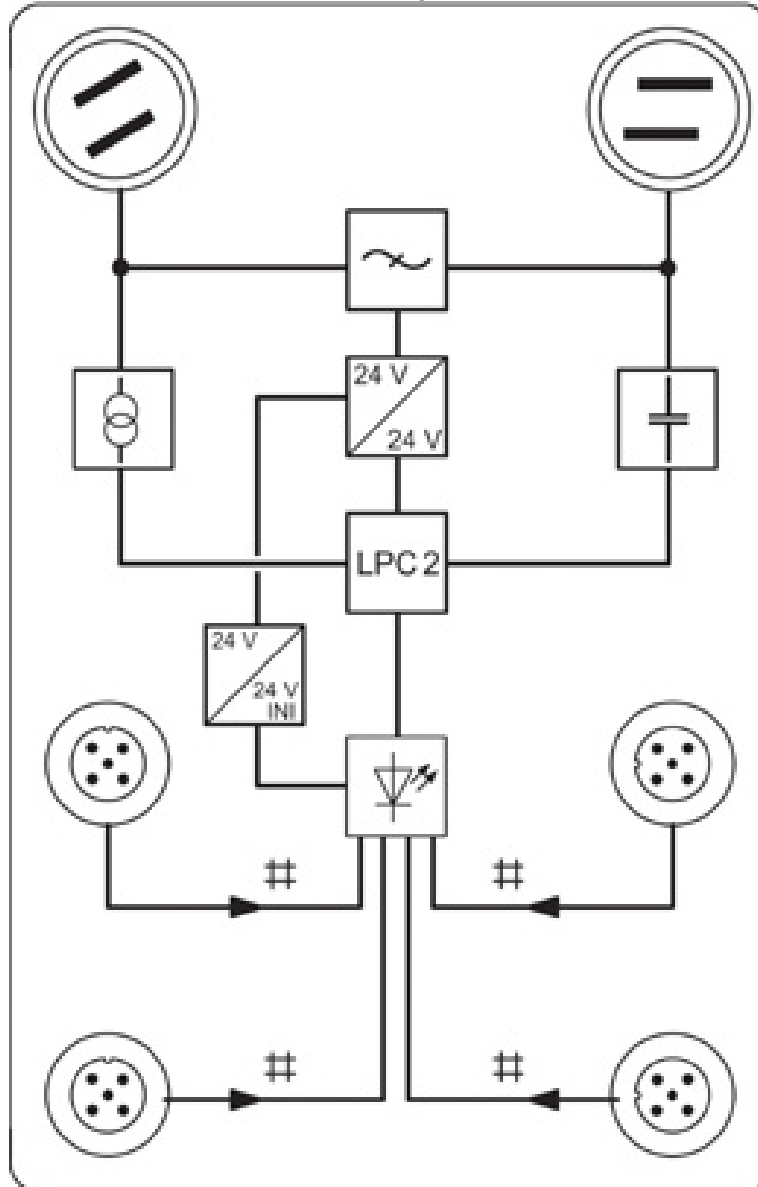
# IB L2 BOX 24 DI 4/4 M12 - I/O module

2731982

<https://www.phoenixcontact.com/us/products/2731982>



Block diagram



# IB L2 BOX 24 DI 4/4 M12 - I/O module



2731982

<https://www.phoenixcontact.com/us/products/2731982>

## Environmental product compliance

### China RoHS

Environment friendly use period (EFUP)	EFUP-E
	No hazardous substances above the limits

### EU REACH SVHC

REACH candidate substance (CAS No.)	No substance above 0.1 wt%
-------------------------------------	----------------------------

Phoenix Contact 2026 © - all rights reserved  
<https://www.phoenixcontact.com>

Phoenix Contact USA  
586 Fulling Mill Road  
Middletown, PA 17057, United States  
(+717) 944-1300  
[info@phoenixcon.com](mailto:info@phoenixcon.com)