

IBS RL 24 DI 16/8-LK-2MBD - Distributed I/O device



2731584

<https://www.phoenixcontact.com/us/products/2731584>

Please be informed that the data shown in this PDF document is generated from our online catalog. Please find the complete data in the user documentation. Our general terms of use for downloads are valid.

Digital input device for INTERBUS; fiber optic technology with 2 Mbaud, 16 inputs (24 V DC), sensor connection via 5-pos. M12 female connectors, rugged metal housing, IP67 protection



The figure shows version IBS RL 24 DI 16/8-LK

Your advantages

- Rugged metal housing
- Comprehensive diagnostic functions
- M12 connector for I/O devices
- Rugged Line connector for INTERBUS, either with fiber optic or twisted pair, and supply voltage

Commercial data

Item number	2731584
Packing unit	1 pc
Sales key	DR03
Product key	DRI513
GTIN	4017918185718
Weight per piece (including packing)	838.3 g
Weight per piece (excluding packing)	720 g
Customs tariff number	85176200
Country of origin	DE

Technical data

Dimensions

Width	179 mm
Height	67 mm
Depth	71 mm
Note on dimensions	with bus connection plugs and mounting panel

Interfaces

INTERBUS

Connection method	Optic fiber (polymer fiber 980/1000 µm)
Transmission speed	2 Mbps
Transmission physics	FO

Input data

Digital:

Input name	Digital inputs
Number of inputs	16
Connection technology	2-, 3-, 4-conductor
Input voltage range "0" signal	0 V AC ... 5 V AC
Input voltage range "1" signal	11 V AC ... 32 V AC
Typical input current per channel	3 mA
Protective circuit	Electronic short-circuit/overload protection for each group

Product properties

Product type	I/O component
Product family	Ruggedline
Type	Block design
No. of channels	16

Electrical properties

Supply: Module electronics

Supply voltage	24 V DC
Supply voltage range	18.5 V AC ... 32 V AC (including ripple)
Ripple	Max 3.6 V _{SS} within the permissible voltage range

Connection data

Connection method	Fiber optic
-------------------	-------------

Environmental and real-life conditions

Ambient conditions

Ambient temperature (operation)	0 °C ... 55 °C
---------------------------------	----------------

IBS RL 24 DI 16/8-LK-2MBD - Distributed I/O device



2731584

<https://www.phoenixcontact.com/us/products/2731584>

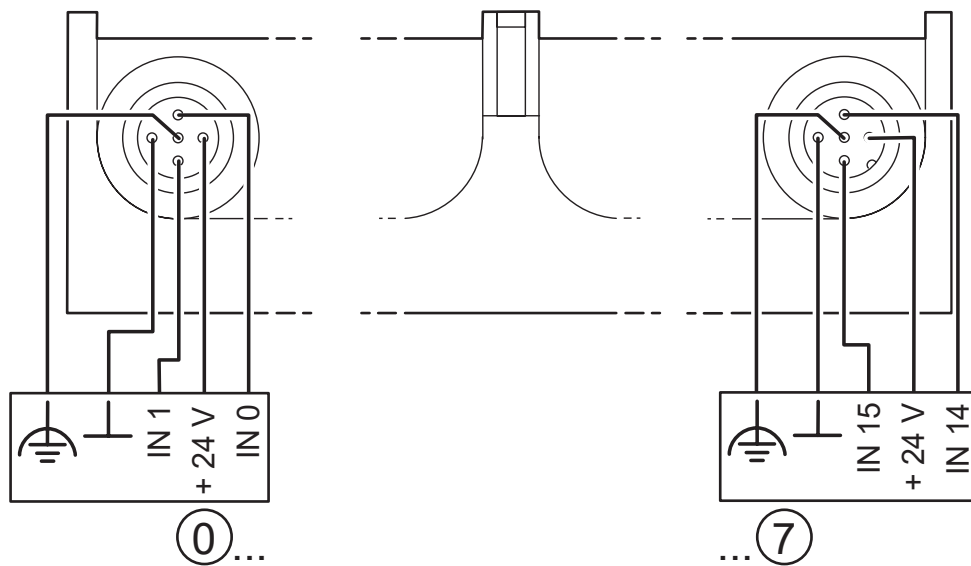
Degree of protection	IP65/IP67
Note	Seal unused slots/connections to ensure the degree of protection.
Air pressure (operation)	860 hPa ... 1080 hPa (up to 1500 m above sea level)
Air pressure (storage/transport)	660 hPa ... 1080 hPa (up to 3500 m above sea level)
Ambient temperature (storage/transport)	-25 °C ... 70 °C
Permissible humidity (operation)	100 %
Permissible humidity (storage/transport)	95 % (non-condensing)

Mounting

Mounting type	Panel mounting
---------------	----------------

Drawings

Connection diagram



IBS RL 24 DI 16/8-LK-2MBD - Distributed I/O device



2731584

<https://www.phoenixcontact.com/us/products/2731584>

Classifications

UNSPSC

UNSPSC 21.0	32151600
-------------	----------

2731584

<https://www.phoenixcontact.com/us/products/2731584>

Environmental product compliance

EU RoHS

Fulfills EU RoHS substance requirements	Yes
Exemption	6(a), 6(a)-I, 7(a), 7(c)-I

China RoHS

Environment friendly use period (EFUP)	EFUP-50
	An article-related China RoHS declaration table can be found in the download area for the respective article under "Manufacturer declaration". For all articles with EFUP-E, no China RoHS declaration table issued and required.

EU REACH SVHC

REACH candidate substance (CAS No.)	Lead(CAS: 7439-92-1)
-------------------------------------	----------------------

Phoenix Contact 2026 © - all rights reserved
<https://www.phoenixcontact.com>

Phoenix Contact USA
586 Fulling Mill Road
Middletown, PA 17057, United States
(+717) 944-1300
info@phoenixcon.com