

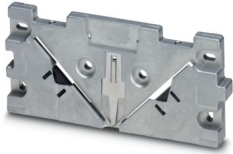
IBS RL AP - Lower mounting part

2731128

<https://www.phoenixcontact.com/us/products/2731128>

Please be informed that the data shown in this PDF document is generated from our online catalog. Please find the complete data in the user documentation. Our general terms of use for downloads are valid.

Mounting panel for Ruggedline devices



Commercial data

Item number	2731128
Packing unit	1 pc
Sales key	DR03
Product key	DRI5Z4
GTIN	4017918185664
Weight per piece (including packing)	184.56 g
Weight per piece (excluding packing)	182.56 g
Customs tariff number	73269098
Country of origin	DE

IBS RL AP - Lower mounting part



2731128

<https://www.phoenixcontact.com/us/products/2731128>

Technical data

Product properties

Product type	Assembly element
--------------	------------------

Mounting

Mounting type	Panel mounting
---------------	----------------

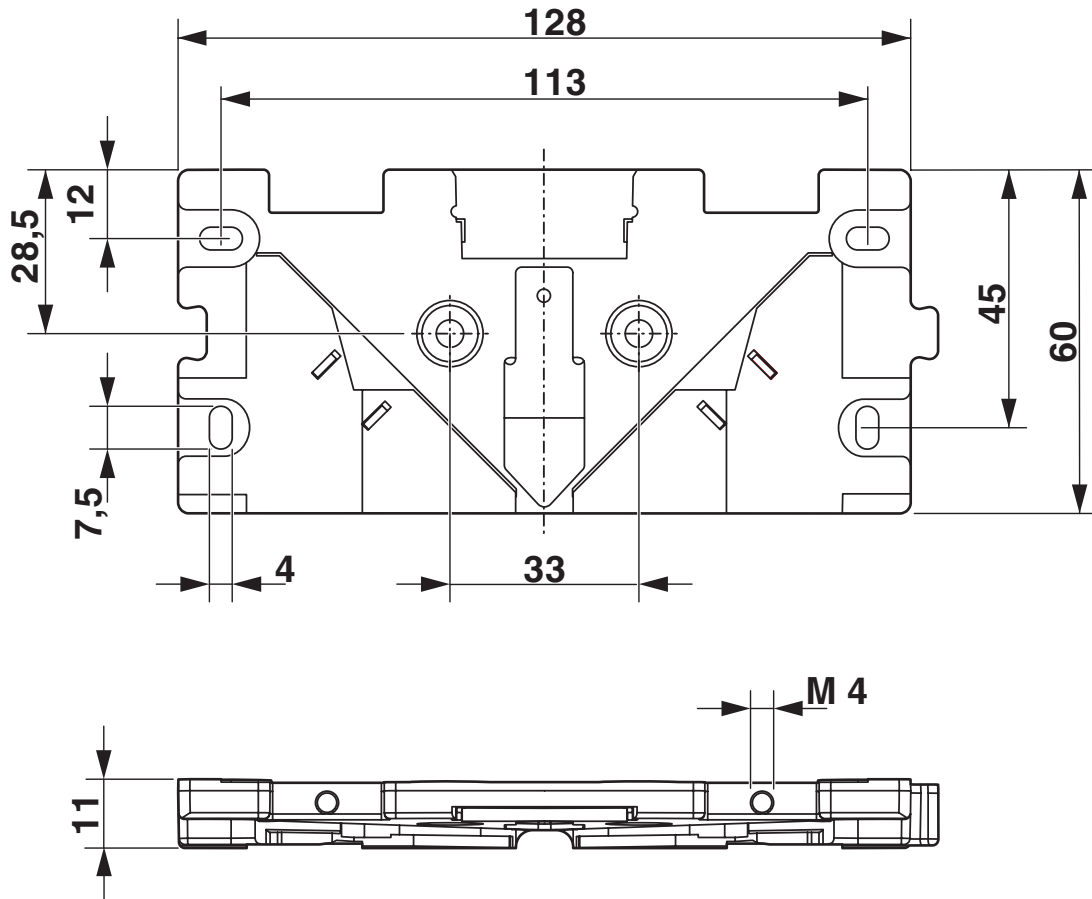
IBS RL AP - Lower mounting part

2731128

<https://www.phoenixcontact.com/us/products/2731128>

Drawings

Dimensional drawing



Mounting panel for Ruggedline devices, dimensions in mm

IBS RL AP - Lower mounting part

2731128

<https://www.phoenixcontact.com/us/products/2731128>



Classifications

UNSPSC

UNSPSC 21.0	32151600
-------------	----------

IBS RL AP - Lower mounting part



2731128

<https://www.phoenixcontact.com/us/products/2731128>

Environmental product compliance

EU RoHS

Fulfills EU RoHS substance requirements	Yes, No exemptions
---	--------------------

China RoHS

Environment friendly use period (EFUP)	EFUP-E
	No hazardous substances above the limits

EU REACH SVHC

REACH candidate substance (CAS No.)	No substance above 0.1 wt%
-------------------------------------	----------------------------

Phoenix Contact 2026 © - all rights reserved
<https://www.phoenixcontact.com>

Phoenix Contact USA
586 Fulling Mill Road
Middletown, PA 17057, United States
(+717) 944-1300
info@phoenixcon.com