

# IB IL 24 SEG/F - Inline terminal

2727747

<https://www.phoenixcontact.com/us/products/2727747>

Please be informed that the data shown in this PDF document is generated from our online catalog. Please find the complete data in the user documentation. Our general terms of use for downloads are valid.

Inline segment terminal block, without accessories, 24 V DC, with fuse



## Product description

The terminal is designed for use within an Inline station. This terminal can be used to create a protected partial circuit (segment circuit) within a main circuit. The internal fuse protects the segment circuit. The terminal is not used for voltage supply. It therefore does not have any elements for protection against polarity reversal and surge voltage.

## Commercial data

Item number	2727747
Packing unit	1 pc
Note	Made to order (non-returnable)
Sales key	NULL
Product key	DRI122
GTIN	4017918168216
Weight per piece (including packing)	63.9 g
Weight per piece (excluding packing)	49.59 g
Customs tariff number	85389091
Country of origin	DE

## Technical data

### Product properties

Type	modular
Number of plugs	1

### Insulation characteristics

Protection class	III (IEC 61140, EN 61140, VDE 0140-1)
------------------	---------------------------------------

### System properties

#### Programming data

ID code (dec.)	none
Register length (bus)	0 bit

### Electrical properties

Test section	5 V supply, incoming remote bus/7.5 V supply (bus logics) 500 V AC 50 Hz 1 min
	5 V supply, outgoing remote bus/7.5 V supply (bus logics) 500 V AC 50 Hz 1 min
	7.5 V supply (bus logics)/24 V supply (I/O) 500 V AC 50 Hz 1 min
	24 V supply (I/O) / functional ground 500 V AC 50 Hz 1 min
Protective circuit	Overload protection; Fuse
Fuse	SI 5 x 20 6, 300 AT (in scope of delivery)

### Supply

I/O voltage	24 V DC
I/O voltage range	19.2 V DC ... 30 V DC
Residual ripple	± 1.2 V
Max. current consumption	6 A (8 A)

### Potentials: Main circuit supply ( $U_M$ )

Supply voltage	24 V DC
Supply voltage range	19.2 V DC ... 30 V DC (including all tolerances, including ripple)
Current draw	max. 6 A (nominal value)

### Potentials

Supply voltage	24 V DC -15 % / +20 % (in accordance with EN 61131-2)
Power supply	6 A (nominal value)

### Connection data

#### Inline connector

Connection method	Spring-cage connection
Conductor cross-section, rigid	0.08 mm <sup>2</sup> ... 1.5 mm <sup>2</sup>
Conductor cross-section, flexible	0.08 mm <sup>2</sup> ... 1.5 mm <sup>2</sup>
Conductor cross-section AWG	28 ... 16

# IB IL 24 SEG/F - Inline terminal

2727747

<https://www.phoenixcontact.com/us/products/2727747>

## Interfaces

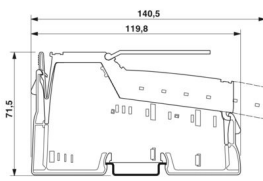
### Supply voltage

Connection method	Inline potential distributor
-------------------	------------------------------

### Inline local bus

Connection method	Inline data jumper
-------------------	--------------------

## Dimensions

Dimensional drawing	
Width	12.2 mm
Height	119.8 mm
Depth	71.5 mm

## Material specifications

Color	green
-------	-------

## Environmental and real-life conditions

### Ambient conditions

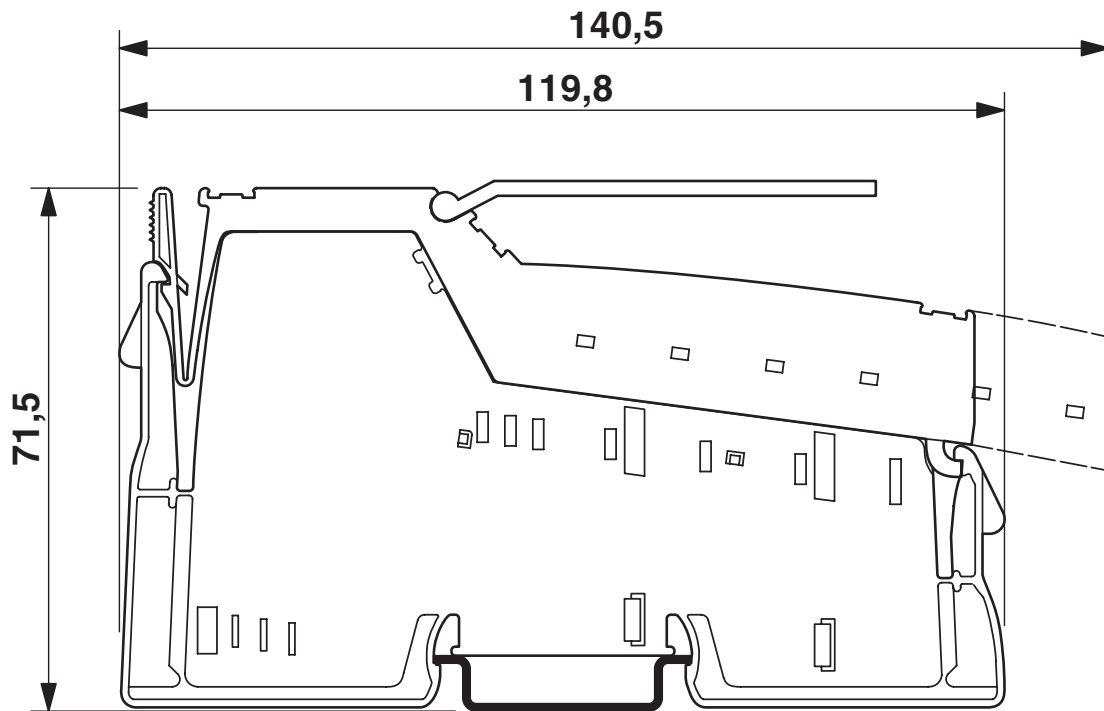
Degree of protection	IP20
Ambient temperature (operation)	-25 °C ... 55 °C
Ambient temperature (storage/transport)	-25 °C ... 85 °C
Permissible humidity (operation)	75 % ... 85 % (in the range of -25°C ... +55°C, appropriate measures against increased humidity (> 85%) must be taken.)
Permissible humidity (storage/transport)	75 % ... 85 % (Slight temporary condensation may sometimes appear on the housing, e.g. when the terminal block is brought out of a vehicle into an enclosed room.)

## Mounting

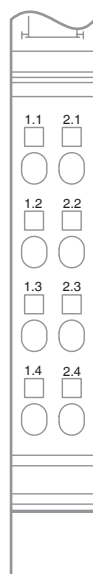
Mounting type	DIN rail mounting
---------------	-------------------

## Drawings

Dimensional drawing



Connection diagram



**$U_M$  and  $U_S$  connected internally via fuse**

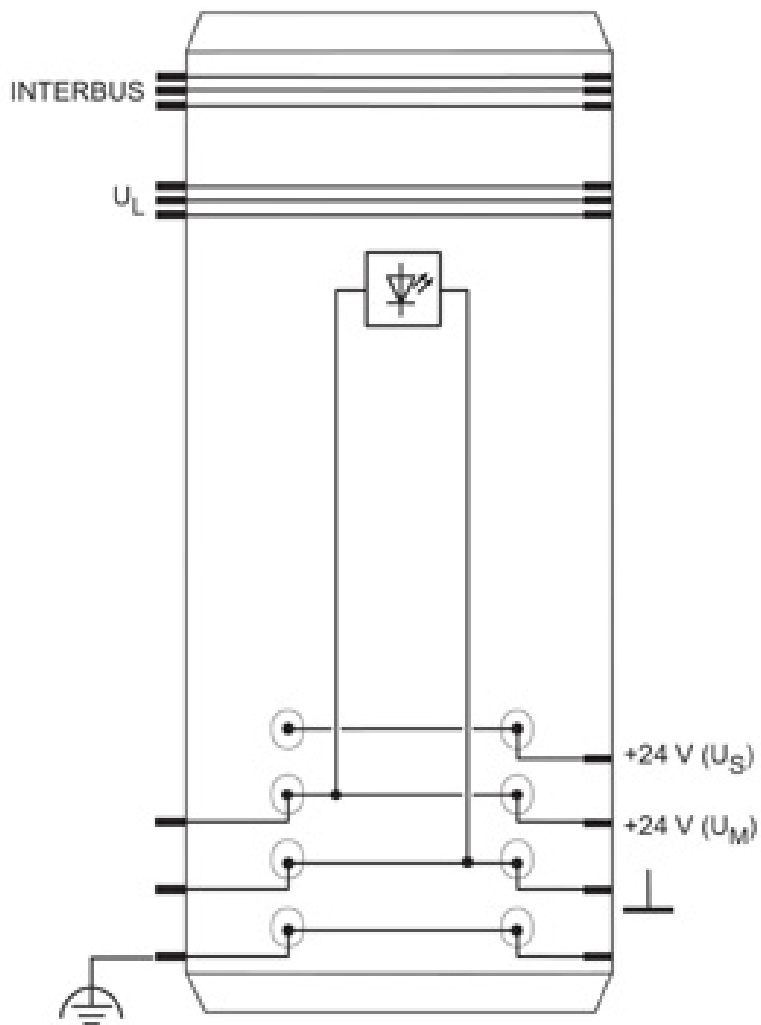
# IB IL 24 SEG/F - Inline terminal

2727747

<https://www.phoenixcontact.com/us/products/2727747>



Block diagram



# IB IL 24 SEG/F - Inline terminal



2727747

<https://www.phoenixcontact.com/us/products/2727747>

## Environmental product compliance

EU REACH SVHC

REACH candidate substance (CAS No.)	No substance above 0.1 wt%
-------------------------------------	----------------------------

Phoenix Contact 2026 © - all rights reserved

<https://www.phoenixcontact.com>

Phoenix Contact USA  
586 Fulling Mill Road  
Middletown, PA 17057, United States  
(+717) 944-1300  
[info@phoenixcon.com](mailto:info@phoenixcon.com)