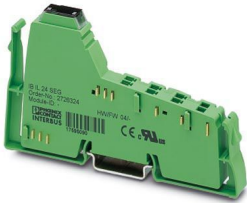


IB IL 24 SEG - Inline terminal

2726324

<https://www.phoenixcontact.com/us/products/2726324>

Please be informed that the data shown in this PDF document is generated from our online catalog. Please find the complete data in the user documentation. Our general terms of use for downloads are valid.



Inline segment terminal, without accessories, 24 V DC, without fuse

Product description

The terminal is designed for use within an Inline station. This terminal can be used to create a partial circuit (segment circuit) within a main circuit.

Your advantages

- Diagnostic and status indicators
- Creation of a partial circuit within the main circuit using an external bridge or switch

Commercial data

Item number	2726324
Packing unit	1 pc
Note	Made to order (non-returnable)
Sales key	NULL
Product key	DRI122
GTIN	4017918168162
Weight per piece (including packing)	62.4 g
Weight per piece (excluding packing)	42 g
Customs tariff number	85389091
Country of origin	DE

IB IL 24 SEG - Inline terminal

2726324

<https://www.phoenixcontact.com/us/products/2726324>

Technical data

Dimensions

Dimensional drawing	
Width	12.2 mm
Height	119.8 mm
Depth	71.5 mm

Notes

Utilization restriction

EMC note	EMC: class A product, see manufacturer's declaration in the download area
----------	---

Material specifications

Color	green
-------	-------

Interfaces

Inline local bus

Connection method	Inline data jumper
Transmission speed	500 kbps / 2 Mbps

Supply voltage

Connection method	Inline potential distributor
-------------------	------------------------------

System properties

Module

ID code (dec.)	none
ID code (hex)	none
Register length	0 bit

Product properties

Product type	I/O component
Product family	Inline
Type	modular
	Inline
Number of plugs	1

Insulation characteristics

Protection class	III (IEC 61140, EN 61140, VDE 0140-1)
------------------	---------------------------------------

Electrical properties

Test section	5 V supply, incoming remote bus/7.5 V supply (bus logics) 500 V AC 50 Hz 1 min
	5 V supply, outgoing remote bus/7.5 V supply (bus logics) 500 V AC 50 Hz 1 min
	7.5 V supply (bus logics)/24 V supply (I/O) 500 V AC 50 Hz 1 min
	24 V supply (I/O) / functional ground 500 V AC 50 Hz 1 min
Protective circuit	Overload protection; Fuse
Fuse	SI 5 x 20 6, 300 AT (in scope of delivery)

Supply

I/O voltage	24 V DC
I/O voltage range	19.2 V DC ... 30 V DC
Residual ripple	± 1.2 V
Max. current consumption	6 A (8 A)

Potentials: Main circuit supply (U_M)

Supply voltage	24 V DC
Supply voltage range	19.2 V DC ... 30 V DC (including all tolerances, including ripple)
Current draw	max. 8 A (nominal value)

Potentials

Supply voltage	24 V DC -15 % / +20 % (in accordance with EN 61131-2)
Power supply	8 A (nominal value)

Connection data

Connection technology

Connection name	Inline connector
-----------------	------------------

Inline connector

Connection method	Spring-cage connection
Conductor cross-section, rigid	0.08 mm ² ... 1.5 mm ²
Conductor cross-section, flexible	0.08 mm ² ... 1.5 mm ²
Conductor cross-section AWG	28 ... 16
Stripping length	8 mm

Environmental and real-life conditions

Ambient conditions

Degree of protection	IP20
Ambient temperature (operation)	-25 °C ... 55 °C
Ambient temperature (storage/transport)	-25 °C ... 85 °C
Permissible humidity (operation)	75 % ... 85 % (in the range of -25°C ... +55°C, appropriate measures against increased humidity (> 85%) must be taken.)
Permissible humidity (storage/transport)	75 % ... 85 % (Slight temporary condensation may sometimes

IB IL 24 SEG - Inline terminal



2726324

<https://www.phoenixcontact.com/us/products/2726324>

	appear on the housing, e.g. when the terminal block is brought out of a vehicle into an enclosed room.)
--	---

Mounting

Mounting type	DIN rail mounting
---------------	-------------------

IB IL 24 SEG - Inline terminal

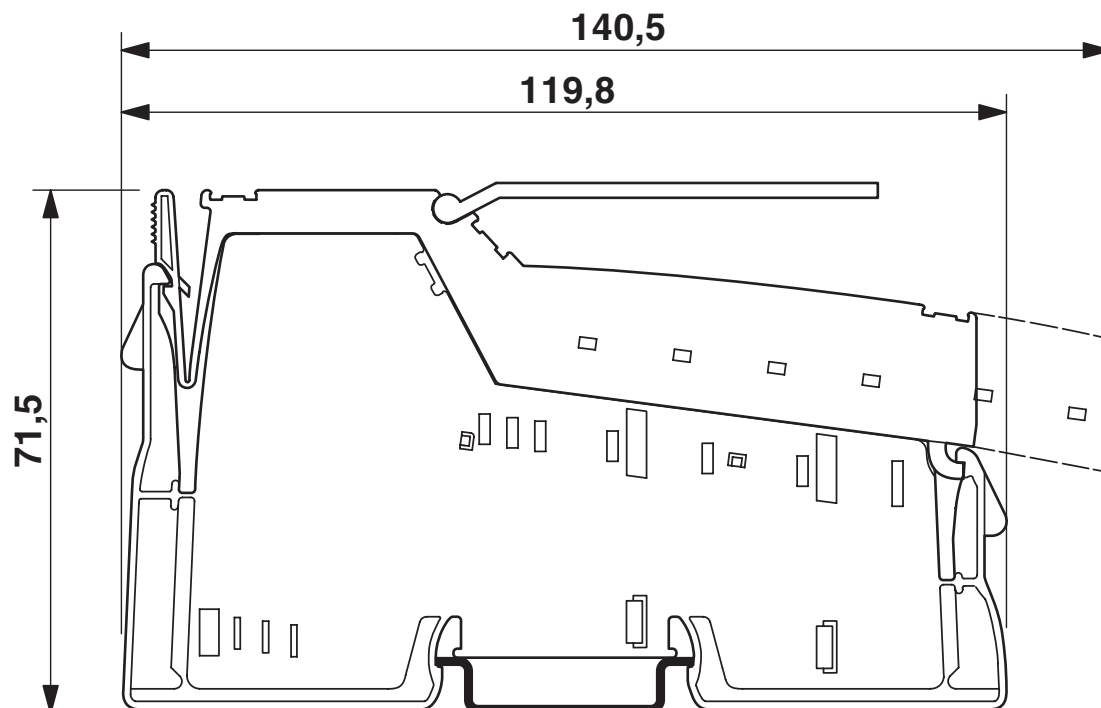
2726324

<https://www.phoenixcontact.com/us/products/2726324>



Drawings

Dimensional drawing



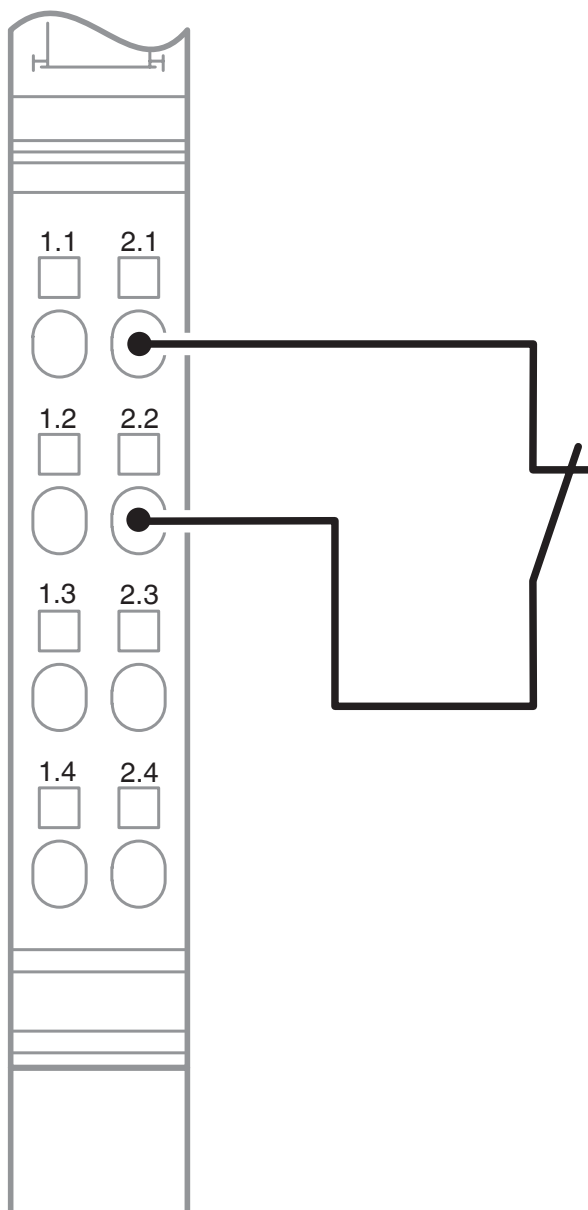
IB IL 24 SEG - Inline terminal

2726324

<https://www.phoenixcontact.com/us/products/2726324>



Connection diagram



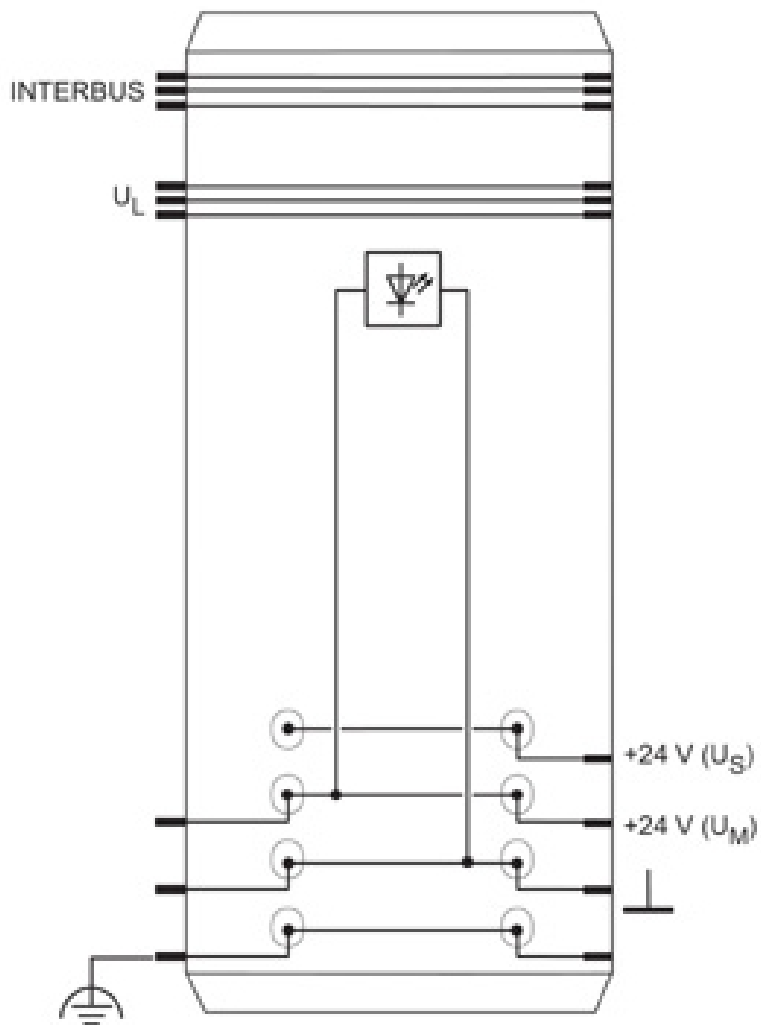
IB IL 24 SEG - Inline terminal

2726324

<https://www.phoenixcontact.com/us/products/2726324>



Block diagram



IB IL 24 SEG - Inline terminal



2726324

<https://www.phoenixcontact.com/us/products/2726324>

Environmental product compliance

China RoHS

Environment friendly use period (EFUP)	EFUP-E
	No hazardous substances above the limits

EU REACH SVHC

REACH candidate substance (CAS No.)	No substance above 0.1 wt%
-------------------------------------	----------------------------

Phoenix Contact 2026 © - all rights reserved
<https://www.phoenixcontact.com>

Phoenix Contact USA
586 Fulling Mill Road
Middletown, PA 17057, United States
(+717) 944-1300
info@phoenixcon.com