

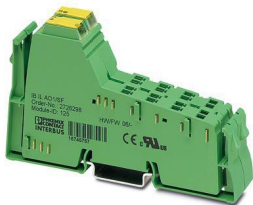
IB IL AO 1/SF - Inline terminal

2726298

<https://www.phoenixcontact.com/us/products/2726298>



Please be informed that the data shown in this PDF document is generated from our online catalog. Please find the complete data in the user documentation. Our general terms of use for downloads are valid.



Inline analog output terminal, without accessories, 1 output, 0 - 20 mA, 4 - 20 mA, 0 - 10 V, 2-conductor connection technology

Product description

The terminal is designed for use within an Inline station. It is used to output analog current and voltage signals.

Commercial data

Item number	2726298
Packing unit	1 pc
Note	Made to order (non-returnable)
Sales key	NULL
Product key	DRI142
GTIN	4017918168131
Weight per piece (including packing)	150.8 g
Weight per piece (excluding packing)	132.3 g
Customs tariff number	85389091
Country of origin	DE

Technical data

Product properties

Type	modular
------	---------

System properties

Module

ID code (dec.)	125
ID code (hex)	7D
Length code (hex)	01
Length code (dec)	01
Input address area	0 Byte
Output address area	2 Byte
Register length	16 bit
Required parameter data	4 Byte

Electrical properties

Potentials: Communications power (U_L)

Supply voltage	7.5 V DC (via voltage jumper)
Current draw	max. 40 mA typ. 30 mA

Potentials: Supply of analog modules (U_{ANA})

Supply voltage	24 V DC (via voltage jumper)
Supply voltage range	19.2 V DC ... 30 V DC (including all tolerances, including ripple)
Current draw	max. 65 mA typ. 50 mA

Electrical isolation/isolation of the voltage ranges

Test voltage: 7.5 V supply (bus logic), 24 V supply U_{ANA} / I/O	500 V AC, 50 Hz, 1 min
Test voltage: 7.5 V supply (bus logic), 24 V supply U_{ANA} / functional ground	500 V AC, 50 Hz, 1 min
Test voltage: 24 V supply (I/O) / functional ground	500 V AC, 50 Hz, 1 min

Output data

Analog:

Output name	Analog outputs
Connection technology	2-conductor (shielded)
Number of outputs	1
D/A conversion time	< 100 μ s
D/A converter resolution	16 bit
Protective circuit	Transient protection of outputs
Representation of output values	16 bits (15 bits + sign)

IB IL AO 1/SF - Inline terminal

2726298

<https://www.phoenixcontact.com/us/products/2726298>

DAC resolution	16 bit
Process data update	< 1 ms
Current output signal	0 mA ... 20 mA 4 mA ... 20 mA
Load/output load current output	> 500 Ω
Voltage output signal	0 V ... 10 V
Load/output load voltage output	> 2 k Ω 0.05 %

Connection data

Inline connector

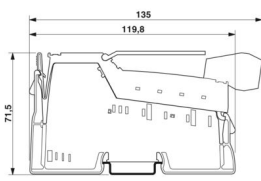
Connection method	Spring-cage connection
Conductor cross-section, rigid	0.08 mm ² ... 1.5 mm ²
Conductor cross-section, flexible	0.08 mm ² ... 1.5 mm ²
Conductor cross-section AWG	28 ... 16

Interfaces

Inline local bus

Number of interfaces	2
Connection method	Inline data jumper
Transmission speed	500 kbps
Transmission physics	Copper

Dimensions

Dimensional drawing	
Width	24.4 mm
Height	119.8 mm
Depth	71.5 mm

Material specifications

Color	green
-------	-------

Environmental and real-life conditions

Ambient conditions

Ambient temperature (operation)	-25 °C ... 55 °C
Degree of protection	IP20
Air pressure (operation)	70 kPa ... 106 kPa (up to 3000 m above sea level)
Air pressure (storage/transport)	70 kPa ... 106 kPa (up to 3000 m above sea level)
Ambient temperature (storage/transport)	-25 °C ... 85 °C

IB IL AO 1/SF - Inline terminal



2726298

<https://www.phoenixcontact.com/us/products/2726298>

Permissible humidity (operation)	10 % ... 95 % (according to DIN EN 61131-2)
Permissible humidity (storage/transport)	10 % ... 95 % (according to DIN EN 61131-2)

Standards and regulations

Protection class	III (IEC 61140, EN 61140, VDE 0140-1)
------------------	---------------------------------------

Mounting

Mounting type	DIN rail mounting
---------------	-------------------

IB IL AO 1/SF - Inline terminal

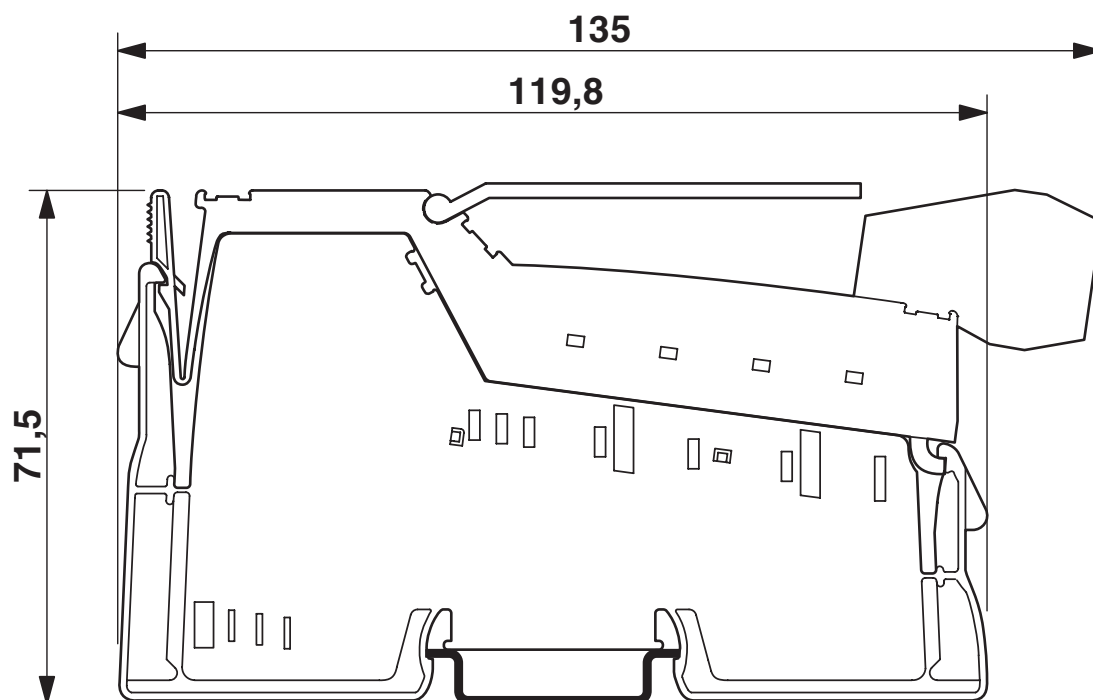
2726298

<https://www.phoenixcontact.com/us/products/2726298>



Drawings

Dimensional drawing



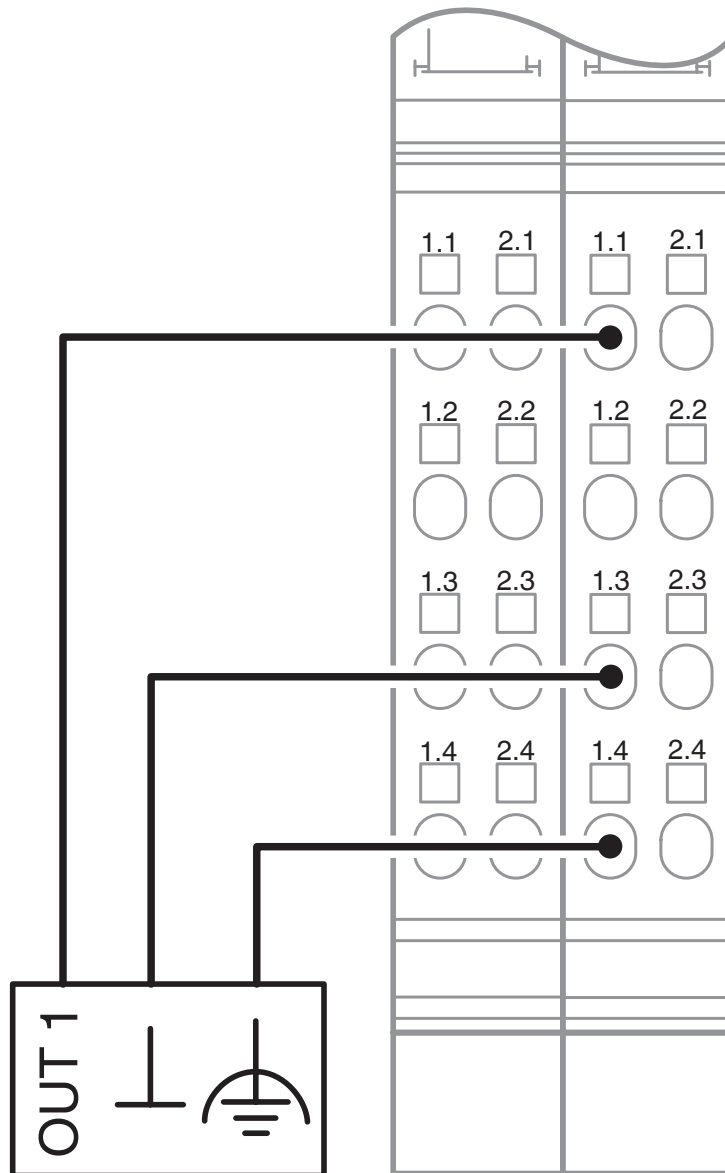
IB IL AO 1/SF - Inline terminal

2726298

<https://www.phoenixcontact.com/us/products/2726298>



Connection diagram

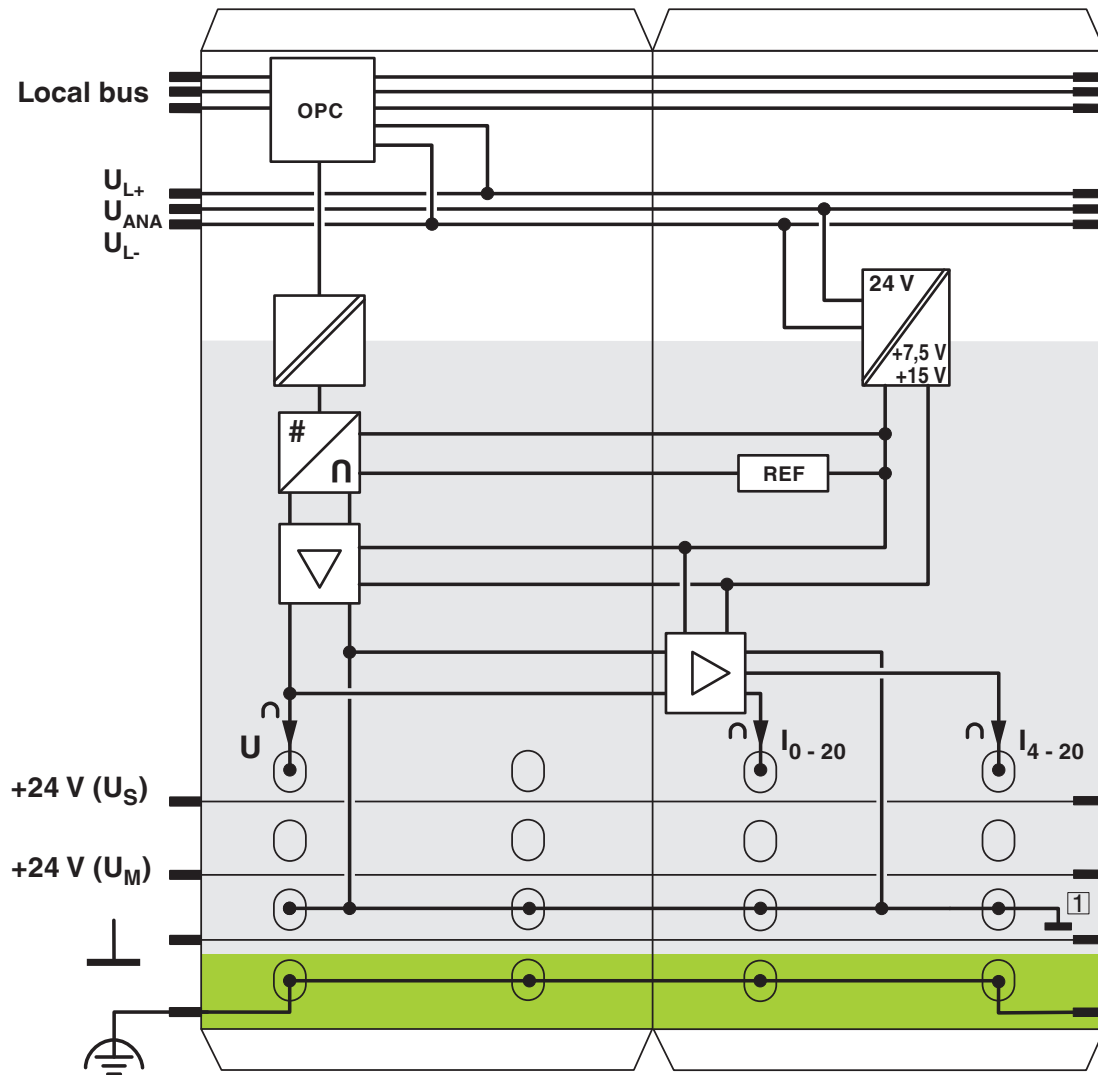


IB IL AO 1/SF - Inline terminal

2726298

<https://www.phoenixcontact.com/us/products/2726298>

Block diagram



IB IL AO 1/SF - Inline terminal



2726298

<https://www.phoenixcontact.com/us/products/2726298>

Environmental product compliance

EU REACH SVHC

REACH candidate substance (CAS No.)	No substance above 0.1 wt%
-------------------------------------	----------------------------

Phoenix Contact 2026 © - all rights reserved

<https://www.phoenixcontact.com>

Phoenix Contact USA
586 Fulling Mill Road
Middletown, PA 17057, United States
(+717) 944-1300
info@phoenixcon.com