

# IBS IL 24 BK-LK - Bus coupler

2726191

<https://www.phoenixcontact.com/us/products/2726191>

Please be informed that the data shown in this PDF document is generated from our online catalog. Please find the complete data in the user documentation. Our general terms of use for downloads are valid.

INTERBUS bus coupler, with fiber optic connection, 24 V DC, without accessories



## Product description

Inline bus terminals connect the terminals of an Inline station to the INTERBUS network.

A fiber optic connection is used for connecting to the INTERBUS remote bus. The remote bus cable is connected to the bus terminal via an F-SMA connector.

The bus terminal performs the following functions within an Inline station:

- Updates the INTERBUS remote bus signals
- Disconnects the outgoing remote bus or the connected I/O modules via software commands
- Supplies the connected I/O modules using an integrated power supply unit
- Connects to the functional ground by snapping onto the DIN rail.

The Inline terminals can be marked using hinged marking fields. The fields have insert cards that can be marked individually according to the application. In addition, the ZBFM-6... zack marker strip can be used to mark the terminal points.

Note the following during configuration:

The total logic current of all the terminals connected to an Inline bus terminal must not exceed the permissible total current of 2 A. Depending on the station configuration, the number of terminals that can be connected may be less than 63.

## Commercial data

Item number	2726191
Packing unit	1 pc
Note	Made to order (non-returnable)
Sales key	NULL
Product key	DRI111
GTIN	4017918570026
Weight per piece (including packing)	295.25 g
Weight per piece (excluding packing)	295.25 g
Customs tariff number	85389091
Country of origin	DE

## Technical data

### Product properties

Type	modular
------	---------

### System properties

#### INTERBUS-Master

Number of devices with parameter channel	63
Number of supported branch terminals with remote bus branch	max. 15

#### Programming data

Length code (hex)	00
ID code (dec.)	04
Length code (dec)	00
Process data channel	0 bit
Input address area	0 Byte
Output address area	0 Byte
Parameter channel (PCP)	0 Byte
Register length (master)	8192 bit

### Electrical properties

Protective circuit	Reverse polarity protection
--------------------	-----------------------------

Potentials: Bus coupler supply  $U_{BK}$ ; Communications power  $U_L$  (7.5 V) and the analog supply  $U_{ANA}$  (24 V) are generated from the bus coupler supply.

Supply voltage	24 V DC (via Inline connector)
Supply voltage range	19.2 V DC ... 30 V DC (including all tolerances, including ripple)
Current draw	max. 1.25 A (with max. number of connected I/O terminal blocks)

#### Potentials: Communications power ( $U_L$ )

Supply voltage	7.5 V DC
Power supply	max. 2 A DC (observe derating)

#### Potentials: Supply of analog modules ( $U_{ANA}$ )

Supply voltage	24 V DC
Supply voltage range	19.2 V DC ... 30 V DC (including all tolerances, including ripple)
Power supply	max. 0.5 A DC (observe derating)

#### Electrical isolation/isolation of the voltage ranges

Test voltage: 7.5 V communications power, 24 V analog supply, 24 V bus coupler supply/functional ground	500 V AC, 50 Hz, 1 min
---	------------------------

### Connection data

#### Inline connector

Connection method	Spring-cage connection
-------------------	------------------------

# IBS IL 24 BK-LK - Bus coupler

2726191

<https://www.phoenixcontact.com/us/products/2726191>

Conductor cross-section, rigid	0.08 mm <sup>2</sup> ... 1.5 mm <sup>2</sup>
Conductor cross-section, flexible	0.08 mm <sup>2</sup> ... 1.5 mm <sup>2</sup>
Conductor cross-section AWG	28 ... 16

## Interfaces

### INTERBUS

No. of channels	2
Connection method	F-SMA connector
Number of positions	2
Transmission speed	500 kbps
Transmission physics	FO

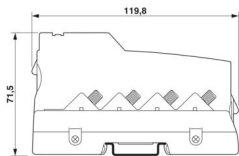
### Inline local bus

Connection method	Inline data jumper
Transmission speed	500 kbps

### Supply

Connection method	8-pos. Inline connector
-------------------	-------------------------

## Dimensions

Dimensional drawing	
Width	85 mm
Height	119.8 mm
Depth	71.5 mm

## Material specifications

Color	green
-------	-------

## Environmental and real-life conditions

### Ambient conditions

Ambient temperature (operation)	-25 °C ... 55 °C
Air pressure (operation)	80 kPa ... 106 kPa (up to 3000 m above sea level)
Air pressure (storage/transport)	70 kPa ... 106 kPa (up to 3000 m above sea level)
Ambient temperature (storage/transport)	-25 °C ... 85 °C
Permissible humidity (operation)	75 % ... 85 %
Permissible humidity (storage/transport)	75 % ... 85 %

## Mounting

Mounting type	DIN rail mounting
---------------	-------------------

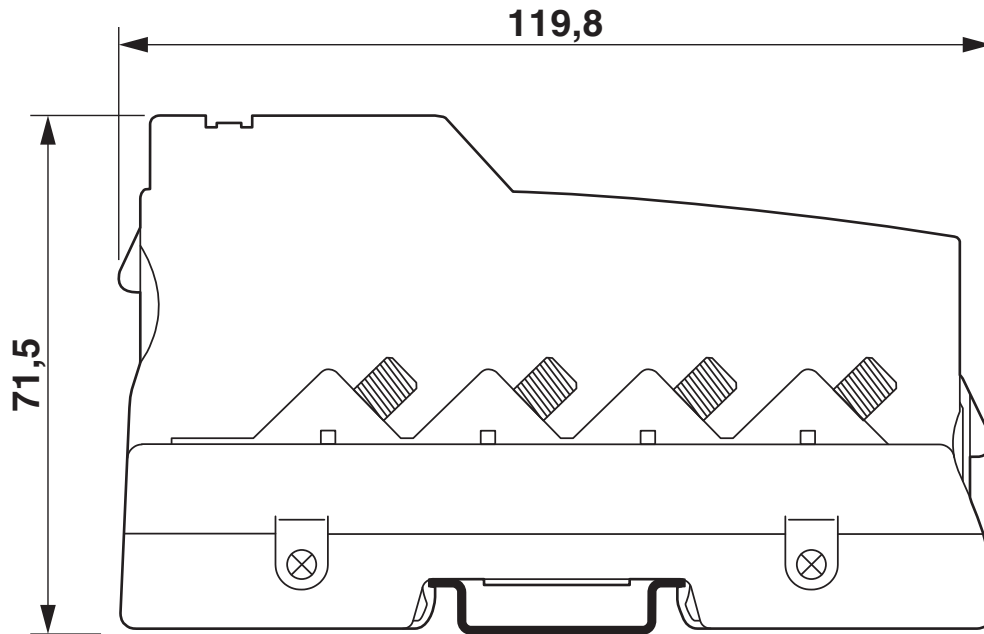
# IBS IL 24 BK-LK - Bus coupler

2726191

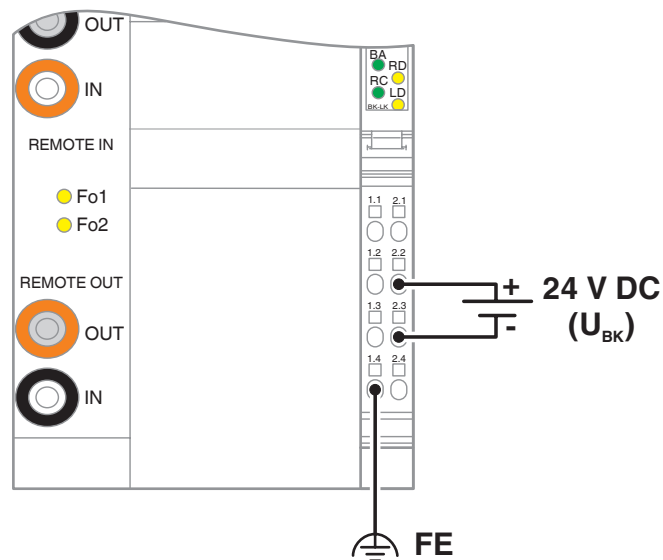
<https://www.phoenixcontact.com/us/products/2726191>

## Drawings

Dimensional drawing



Connection diagram



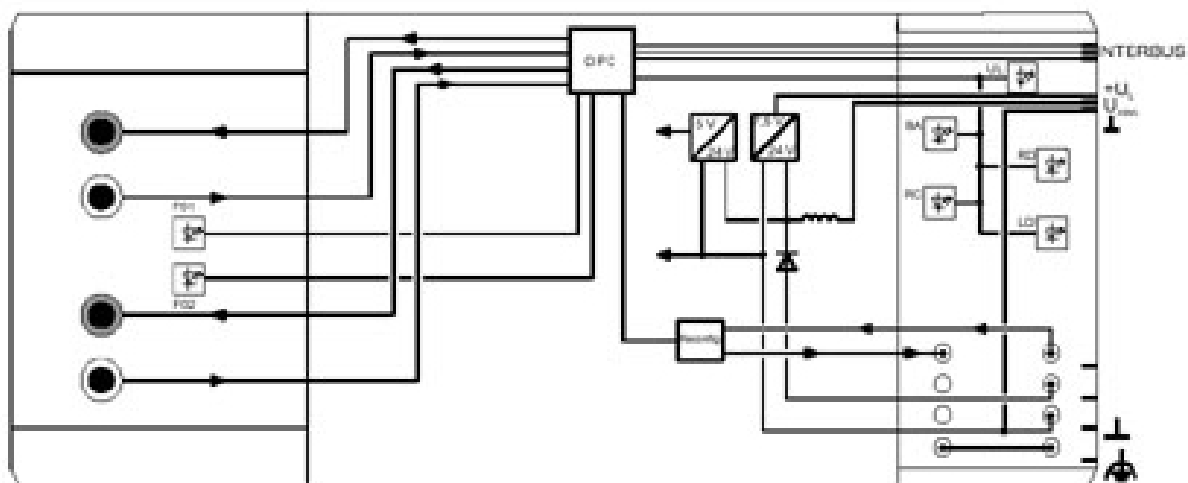
# IBS IL 24 BK-LK - Bus coupler

2726191

<https://www.phoenixcontact.com/us/products/2726191>



Block diagram



# IBS IL 24 BK-LK - Bus coupler

2726191

<https://www.phoenixcontact.com/us/products/2726191>



## Environmental product compliance

EU REACH SVHC

REACH candidate substance (CAS No.)	
-------------------------------------	--

	No substance above 0.1 wt%
--	----------------------------

Phoenix Contact 2026 © - all rights reserved

<https://www.phoenixcontact.com>

Phoenix Contact USA  
586 Fulling Mill Road  
Middletown, PA 17057, United States  
(+717) 944-1300  
[info@phoenixcon.com](mailto:info@phoenixcon.com)