

# IB ST 24 BAI 2/BP - I/O module

2725888

<https://www.phoenixcontact.com/us/products/2725888>

Please be informed that the data shown in this PDF document is generated from our online catalog. Please find the complete data in the user documentation. Our general terms of use for downloads are valid.



INTERBUS-ST analog input module, 2 inputs, 0 to 20 mA, 4 to 20 mA, 0 to 10 V, IP20 protection, consisting of: Terminal part with screw connection and module electronics,

The figure shows version IB ST 24  
BAI 2/SF

## Product description

INTERBUS ST standard analog input modules

The wide range of INTERBUS analog input modules makes it possible to choose the ideal product for a variety of applications.

All commercially available analog standard sensors with voltage or current signals can be connected. Particular features of the INTERBUS analog input modules are:

- High accuracy of measurement
- Extremely rapid acquisition of measurement values
- Very good interference and common mode suppression
- A constant voltage source for the connection of passive sensors

Moreover, a host of measures guarantee a high standard of operational reliability, even under extreme industrial environmental conditions. In addition to integrated safety systems, such as:

- Watchdog monitoring of the processor, or
- Monitoring the supply voltage, in particular, comprehensive EMC measures, for example, a new shielding concept.

There is a separate shield connection option for each input, without extra external wiring necessary. The connection to protective earth ground is created automatically when the module is snapped onto the DIN rail.

All the typical advantages of INTERBUS-ST handling, such as multi-wire connection methods and plug-in electronics are provided by all modules.

## Commercial data

Item number	2725888
Packing unit	1 pc
Note	Made to order (non-returnable)
Sales key	NULL
Product key	DRI341
GTIN	4017918154059
Weight per piece (including packing)	405.1 g
Weight per piece (excluding packing)	337.1 g
Customs tariff number	85176200
Country of origin	DE

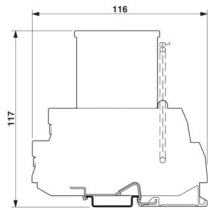
# IB ST 24 BAI 2/BP - I/O module

2725888

<https://www.phoenixcontact.com/us/products/2725888>

## Technical data

### Dimensions

Dimensional drawing	
Width	81 mm
Height	117 mm
Length	116 mm

### Interfaces

#### ST local bus

Connection method	ST local bus connector
Transmission speed	500 kbps
Transmission physics	Copper

### Product properties

Product type	I/O component
Product family	Smart Terminal ST
Type	modular
No. of channels	2

### Electrical properties

Test section	Bus/Inputs 500 V AC 50 Hz 1 min
	Sensor supply/Ground conductor 500 V AC 50 Hz 1 min

#### Supply

Communications power $U_L$	9 V DC (from the ST local bus)
I/O voltage	24 V DC

### Connection data

#### Connection technology

Connection name	Terminal block
-----------------	----------------

#### Terminal block

Connection method	Screw connection
Conductor cross-section, rigid	0.2 mm <sup>2</sup> ... 2.5 mm <sup>2</sup>
Conductor cross-section, flexible	0.2 mm <sup>2</sup> ... 2.5 mm <sup>2</sup>
Conductor cross-section AWG	24 ... 12

# IB ST 24 BAI 2/BP - I/O module



2725888

<https://www.phoenixcontact.com/us/products/2725888>

## Environmental and real-life conditions

### Ambient conditions

Degree of protection	IP20
----------------------	------

## Mounting

Mounting type	DIN rail mounting
---------------	-------------------

# IB ST 24 BAI 2/BP - I/O module

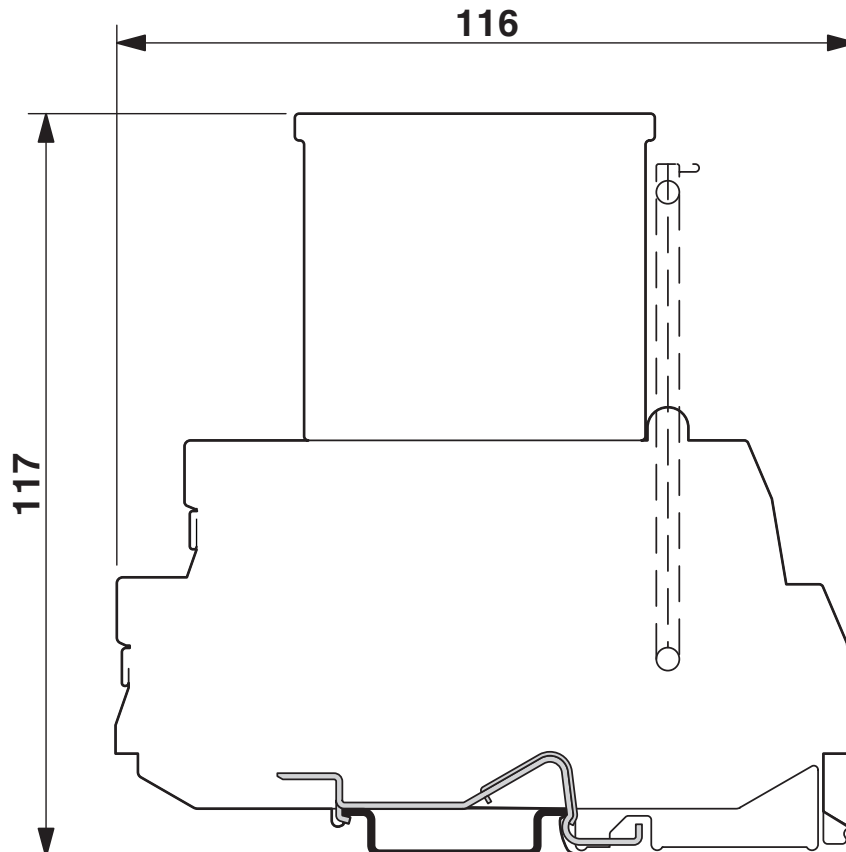
2725888

<https://www.phoenixcontact.com/us/products/2725888>

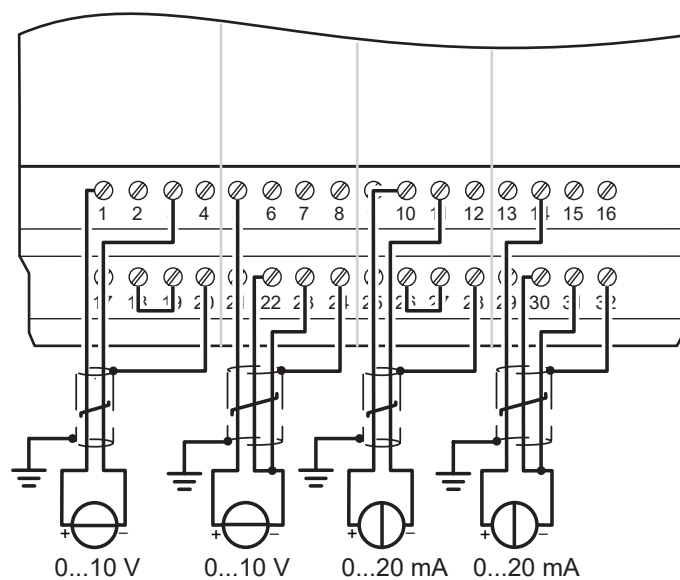


## Drawings

Dimensional drawing



Connection diagram



2725888

<https://www.phoenixcontact.com/us/products/2725888>

## Environmental product compliance

### EU RoHS

Fulfills EU RoHS substance requirements	Yes
Exemption	6(a), 6(a)-I, 6(c), 7(a), 7(c)-I

### China RoHS

Environment friendly use period (EFUP)	EFUP-E
	No hazardous substances above the limits

### EU REACH SVHC

REACH candidate substance (CAS No.)	Lead(CAS: 7439-92-1)
-------------------------------------	----------------------

Phoenix Contact 2026 © - all rights reserved

<https://www.phoenixcontact.com>

Phoenix Contact USA  
586 Fulling Mill Road  
Middletown, PA 17057, United States  
(+717) 944-1300  
[info@phoenixcon.com](mailto:info@phoenixcon.com)