

IB ST 24 BDO 16/3-500 - I/O module



2724931

<https://www.phoenixcontact.com/us/products/2724931>

Please be informed that the data shown in this PDF document is generated from our online catalog. Please find the complete data in the user documentation. Our general terms of use for downloads are valid.



INTERBUS-ST digital output module, 16 outputs, 24 V DC, 500 mA, 3-conductor connection technology, IP20 degree of protection, consisting of: terminal part with screw connection and module electronics

Product description

INTERBUS ST standard digital output modules

The digital INTERBUS output modules are designed for the connection of digital actuators, such as electromechanical valves, contactors or lamps. In addition to the standard IB ST 24 BDO modules, the range is rounded off by modules with extended functionality.

The scope of functions provided by the standard models covers the majority of applications. On top of this, several modules provide additional electronic functions, such as:

- Output channels in up to four electrically isolated groups
- Separate electronic short-circuit protection for each output channel
- Higher output current, which are needed in individual applications.

All the typical advantages of INTERBUS-ST handling, such as multi-wire connection methods and plug-in electronics are provided by both product lines.

Your advantages

- Connection of actuators in 2- and 3-conductor technology
- Nominal current per output: 500 mA
- Total current of the terminal: 8 A
- Short-circuit and overload-protected outputs
- Diagnostic and status indicators
- 16 digital inputs

Commercial data

Item number	2724931
Packing unit	1 pc
Note	Made to order (non-returnable)
Sales key	DR03
Product key	DRI332
GTIN	4017918153779
Weight per piece (including packing)	720.5 g
Weight per piece (excluding packing)	720.5 g
Customs tariff number	85389091
Country of origin	DE

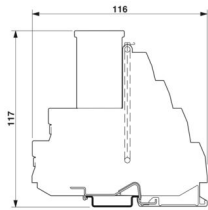
IB ST 24 BDO 16/3-500 - I/O module

2724931

<https://www.phoenixcontact.com/us/products/2724931>

Technical data

Dimensions

Dimensional drawing	
Width	118 mm
Height	117 mm
Length	116 mm

Interfaces

ST local bus

Connection method	INTERBUS-ST local bus
Transmission speed	500 kbps

Output data

Digital

Number of outputs	16
Output voltage	$U_S - 1 \text{ V}$
Protective circuit	Short-circuit protection of outputs; Electronic, in groups of four outputs

Product properties

Product type	I/O component
Product family	Inline
Type	modular

Electrical properties

Supply

Communications power U_L	9 V DC (from the ST local bus)
I/O voltage	24 V DC
I/O voltage range	20 V DC ... 30 V DC
Residual ripple	$\pm 1.2 V_{PP}$
Typical current consumption	100 mA (from the ST local bus)

Connection data

Connection method	Screw connection
Conductor cross-section, rigid	0.2 mm ² ... 2.5 mm ²
Conductor cross-section, flexible	0.2 mm ² ... 2.5 mm ²

IB ST 24 BDO 16/3-500 - I/O module



2724931

<https://www.phoenixcontact.com/us/products/2724931>

Conductor cross-section AWG	24 ... 12
-----------------------------	-----------

Environmental and real-life conditions

Ambient conditions

Degree of protection	IP20
----------------------	------

Mounting

Mounting type	DIN rail mounting
---------------	-------------------

IB ST 24 BDO 16/3-500 - I/O module

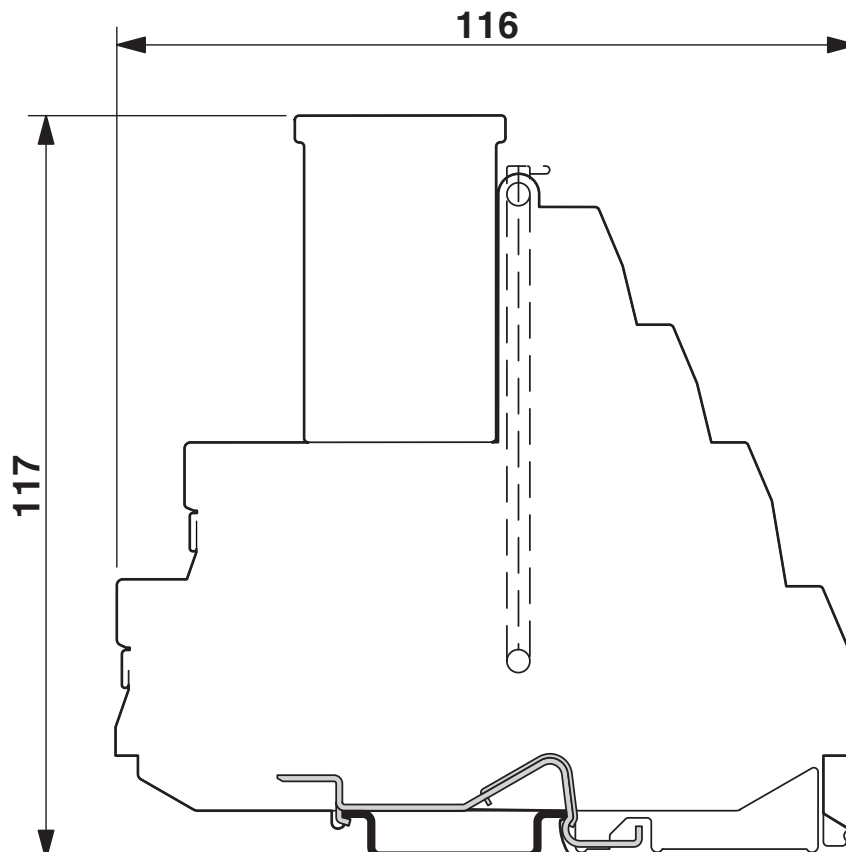
2724931

<https://www.phoenixcontact.com/us/products/2724931>



Drawings

Dimensional drawing



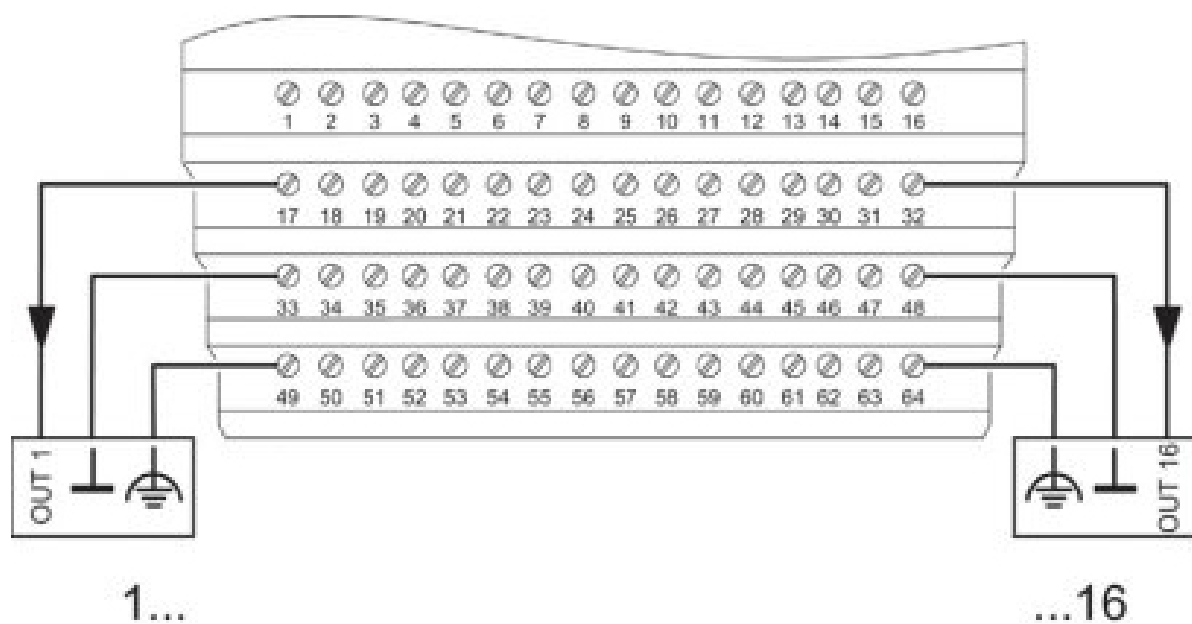
IB ST 24 BDO 16/3-500 - I/O module



2724931

<https://www.phoenixcontact.com/us/products/2724931>

Connection diagram

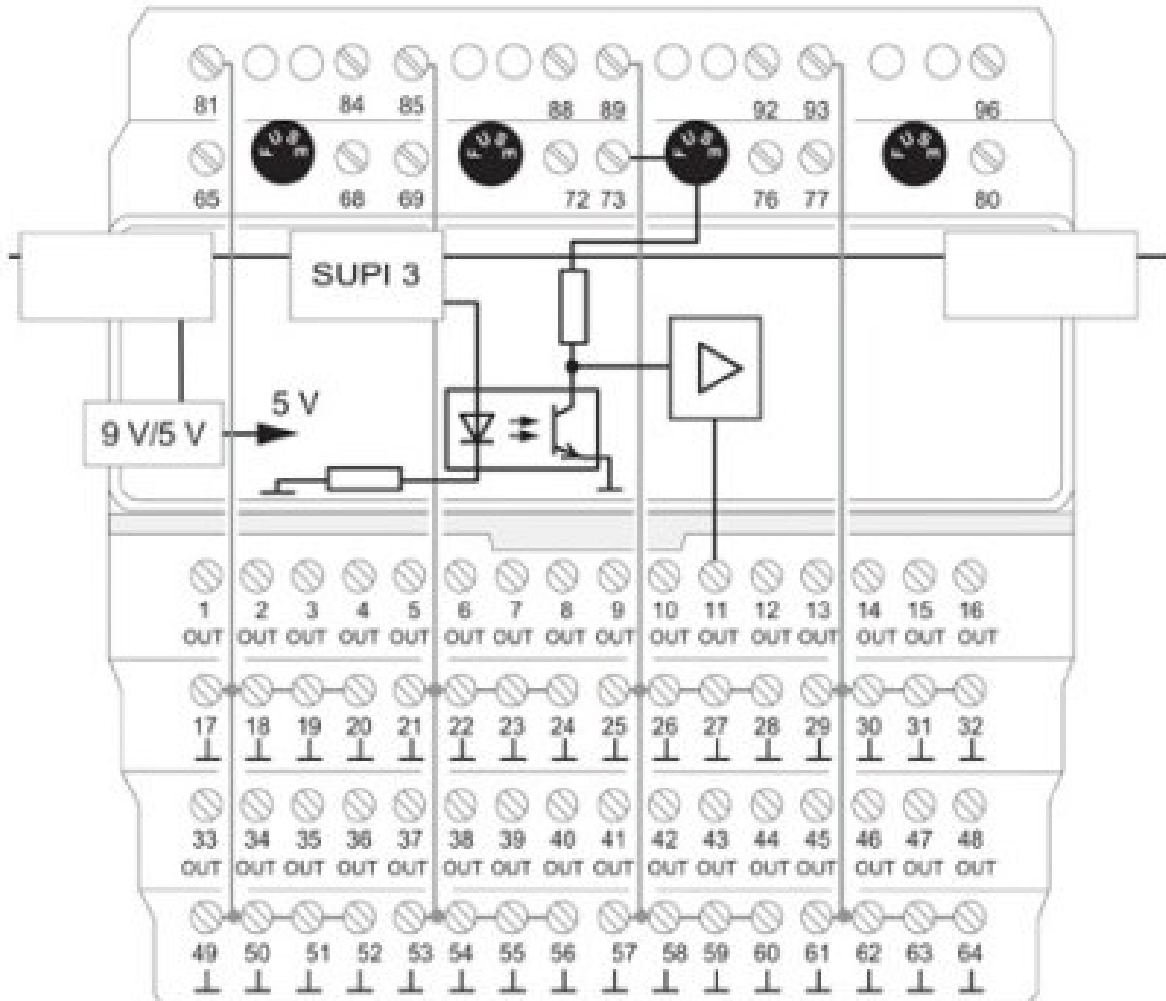


IB ST 24 BDO 16/3-500 - I/O module

2724931

<https://www.phoenixcontact.com/us/products/2724931>

Block diagram



IB ST 24 BDO 16/3-500 - I/O module



2724931

<https://www.phoenixcontact.com/us/products/2724931>

Environmental product compliance

China RoHS

Environment friendly use period (EFUP)	EFUP-E
	No hazardous substances above the limits

EU REACH SVHC

REACH candidate substance (CAS No.)	No substance above 0.1 wt%
-------------------------------------	----------------------------

Phoenix Contact 2026 © - all rights reserved
<https://www.phoenixcontact.com>

Phoenix Contact USA
586 Fulling Mill Road
Middletown, PA 17057, United States
(+717) 944-1300
info@phoenixcon.com