

# IB ST 24 UTH 8 - I/O module



2724902

<https://www.phoenixcontact.com/us/products/2724902>

Please be informed that the data shown in this PDF document is generated from our online catalog. Please find the complete data in the user documentation. Our general terms of use for downloads are valid.



INTERBUS-ST analog input module, 8 inputs, TC, 2-conductor connection, IP20 degree of protection, consisting of: terminal part with screw connection and module electronics

## Product description

INTERBUS ST analog input modules for temperature and resistance measurement

These analog input modules are suitable for recording temperature signals.

Commercially available temperature measuring resistors or thermocouples can be connected.

In addition to the various types of sensors, different characteristics can also be programmed. Further features are:

- A new shielding concept for sensors makes it possible to meet more severe EMC requirements. For each input, there is a separate shield connection. External circuit elements are not necessary.
- Diagnostic LEDs provide information on the operating status at any time.
- All modules can be individually labeled on the large pull-out labeling field. The insert cards can be prepared by hand, or by plotter or printer.
- In the event of failure or malfunction, the electronics of the module can be easily replaced. The passive termination block remains mounted on the rail. This means that the replacement process can be carried out in a just a few seconds and without the need for tools.
- The fuses are accessible from outside, so that a fault can be cleared quickly.
- The connection to protective earth ground is made directly via the DIN rail.
- The conventional labeling materials (Zack strip ZB-6, etc.) can be used to label the termination blocks.

## Commercial data

Item number	2724902
Packing unit	1 pc
Note	Made to order (non-returnable)
Sales key	NULL
Product key	DRI343
GTIN	4017918153823
Weight per piece (including packing)	598.4 g
Weight per piece (excluding packing)	598.4 g
Customs tariff number	85176200
Country of origin	DE

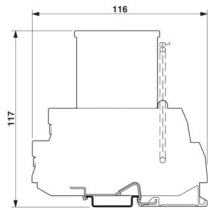
# IB ST 24 UTH 8 - I/O module

2724902

<https://www.phoenixcontact.com/us/products/2724902>

## Technical data

### Dimensions

Dimensional drawing	
Width	118 mm
Height	117 mm
Length	116 mm

### Interfaces

#### ST local bus

Connection method	ST local bus connector
Transmission speed	500 kbps
Transmission length	116 mm

### Product properties

Product type	I/O component
Product family	Smart Terminal ST
Type	modular
No. of channels	8

### Electrical properties

Test section	Bus/Inputs 500 V AC 50 Hz 1 min
	Supply voltage/inputs 500 V AC 50 Hz 1 min
	Supply voltage/Ground conductor 500 V AC 50 Hz 1 min
	I/O voltage/Ground conductor 500 V AC 50 Hz 1 min

#### Supply

Communications power $U_L$	9 V DC (from the ST local bus)
I/O voltage	24 V DC
I/O voltage range	18.5 V DC ... 30.2 V DC
Residual ripple	$\pm 1.2$ V DC
Max. current consumption	135 mA (from the ST local bus)
	85 mA (to $U_S$ )
Typical current consumption	110 mA (from the ST local bus)
	35 mA (to $U_S$ )

### Connection data

# IB ST 24 UTH 8 - I/O module



2724902

<https://www.phoenixcontact.com/us/products/2724902>

## Connection technology

Connection name	Terminal block
-----------------	----------------

## Terminal block

Connection method	Screw connection
Conductor cross-section, rigid	0.2 mm <sup>2</sup> ... 2.5 mm <sup>2</sup>
Conductor cross-section, flexible	0.2 mm <sup>2</sup> ... 2.5 mm <sup>2</sup>
Conductor cross-section AWG	24 ... 12

## Environmental and real-life conditions

### Ambient conditions

Degree of protection	IP20
----------------------	------

## Mounting

Mounting type	DIN rail mounting
---------------	-------------------

# IB ST 24 UTH 8 - I/O module

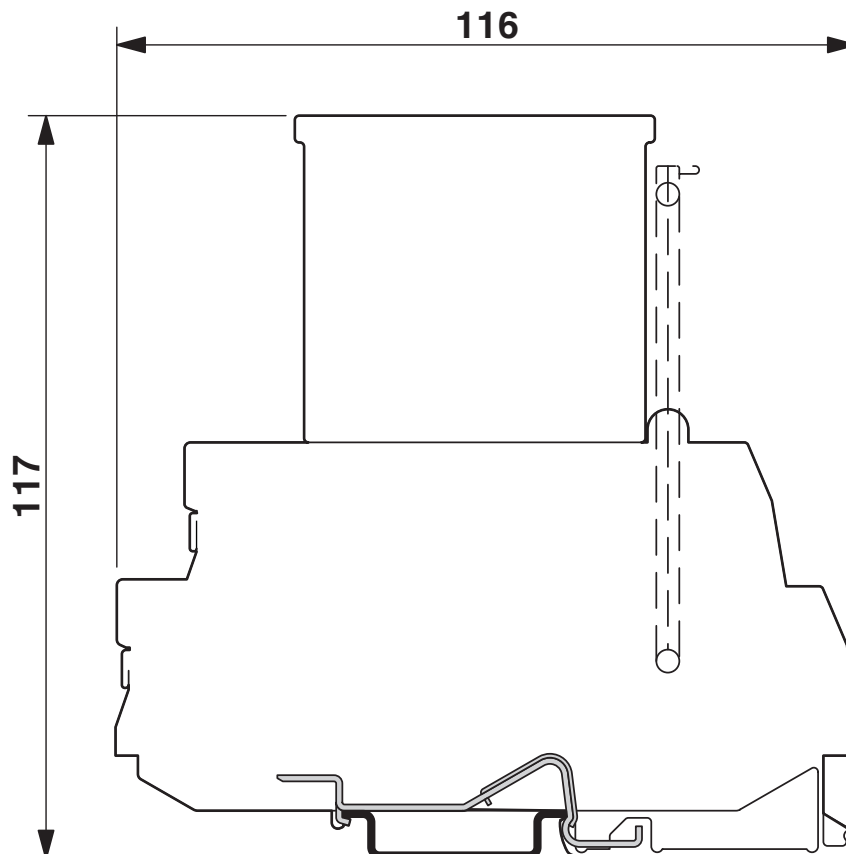
2724902

<https://www.phoenixcontact.com/us/products/2724902>



## Drawings

Dimensional drawing

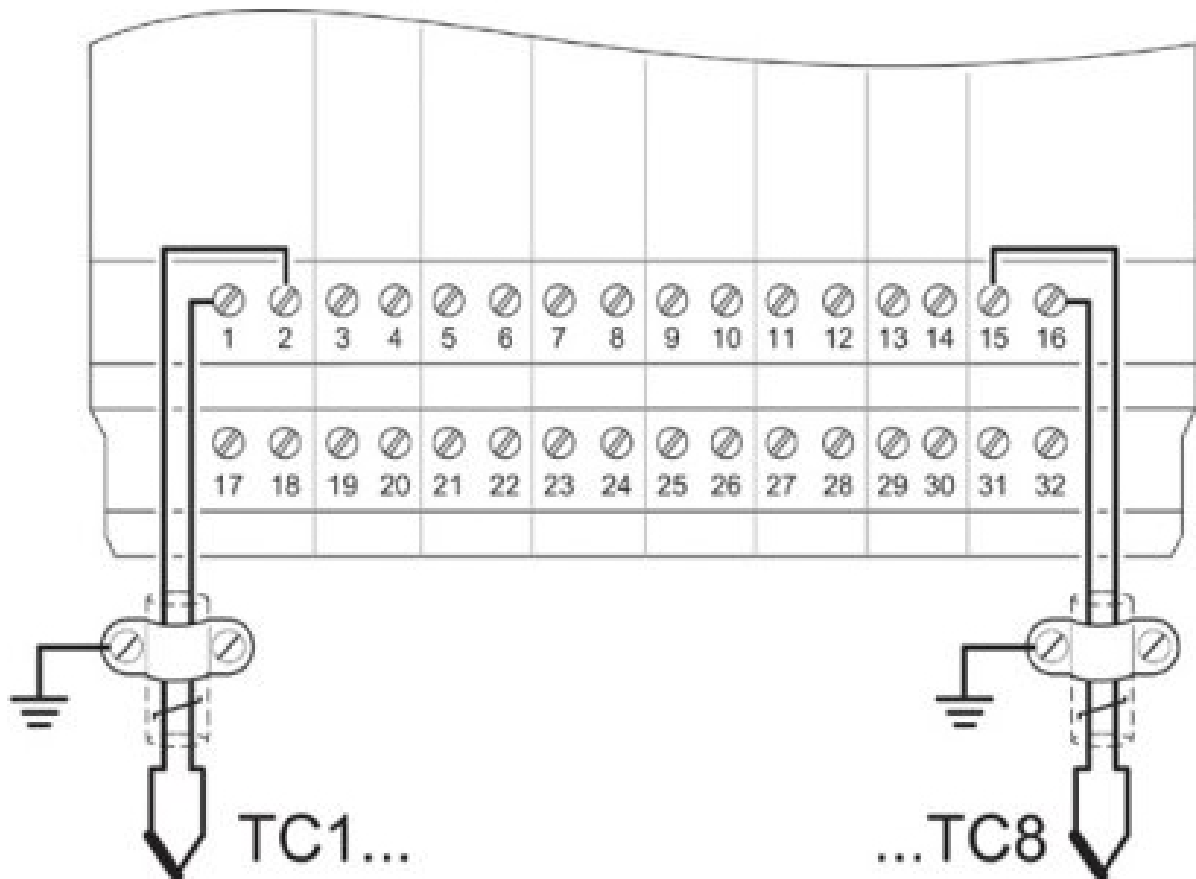


# IB ST 24 UTH 8 - I/O module

2724902

<https://www.phoenixcontact.com/us/products/2724902>

Connection diagram



# IB ST 24 UTH 8 - I/O module



2724902

<https://www.phoenixcontact.com/us/products/2724902>

## Environmental product compliance

### China RoHS

Environment friendly use period (EFUP)	EFUP-E
	No hazardous substances above the limits

### EU REACH SVHC

REACH candidate substance (CAS No.)	No substance above 0.1 wt%
-------------------------------------	----------------------------

Phoenix Contact 2026 © - all rights reserved  
<https://www.phoenixcontact.com>

Phoenix Contact USA  
586 Fulling Mill Road  
Middletown, PA 17057, United States  
(+717) 944-1300  
[info@phoenixcon.com](mailto:info@phoenixcon.com)