

# IBS RL 24 DI 16/8-LK - Distributed I/O device



2724850

<https://www.phoenixcontact.com/us/products/2724850>

Please be informed that the data shown in this PDF document is generated from our online catalog. Please find the complete data in the user documentation. Our general terms of use for downloads are valid.

Digital input device for INTERBUS; fiber optic technology with 500 kbaud, 16 inputs (24 V DC), sensor connection via 5-pos. M12 female connectors, rugged metal housing, IP67 protection



## Product description

INTERBUS Ruggedline modules are provided for harsh ambient conditions or in the case of high requirements regarding system diagnostics. To ensure maximum availability, these modules are equipped with a zinc die-cast housing (IP67). This means they can even be mounted in the immediate vicinity of welding tongs, for example. Each Ruggedline module consists of a mounting panel and electronics module. The electronics module is snapped onto the mounting panel and fastened with two screws, if necessary. Peripheral faults can be clearly localized using the extended diagnostics. Short circuits in the sensor supply are signaled in groups of four inputs each, for example. And, in the case of a short circuit at an output, the respective output is even displayed directly. This information is made available to the controller as well as displayed on the module. For the modules with a fiber-optic connection, the diagnostic capability goes one step further. D

## Your advantages

- Rugged metal housing
- Comprehensive diagnostic functions
- Rugged Line connector for INTERBUS, either with fiber optic or twisted pair, and supply voltage
- M12 connector for I/O devices

## Commercial data

Item number	2724850
Packing unit	1 pc
Sales key	DR03
Product key	DRI513
GTIN	4017918185428
Weight per piece (including packing)	840.2 g
Weight per piece (excluding packing)	720 g
Customs tariff number	85389099
Country of origin	DE

2724850

<https://www.phoenixcontact.com/us/products/2724850>

## Technical data

### Dimensions

Width	179 mm
Height	67 mm
Depth	71 mm
Note on dimensions	with bus connection plugs and mounting panel

### Interfaces

#### INTERBUS

Connection method	Optic fiber (polymer fiber 980/1000 µm)
Transmission speed	500 kbps
Transmission physics	FO

### Input data

#### Digital:

Input name	Digital inputs
Number of inputs	16
Connection technology	2-, 3-, 4-conductor
Input voltage range "0" signal	0 V ... 5 V
Input voltage range "1" signal	11 V ... 32 V
Typical input current per channel	50 mA
Protective circuit	Electronic short-circuit/overload protection for each group

### Product properties

Product type	I/O component
Product family	Ruggedline
Type	Block design
No. of channels	16

### Electrical properties

#### Supply: Module electronics

Supply voltage	24 V DC
Supply voltage range	18.5 V ... 32 V (including ripple)
Ripple	Max 3.6 V <sub>SS</sub> within the permissible voltage range

### Connection data

Connection method	M12 connector
-------------------	---------------

### Environmental and real-life conditions

#### Ambient conditions

Ambient temperature (operation)	0 °C ... 55 °C
---------------------------------	----------------

# IBS RL 24 DI 16/8-LK - Distributed I/O device



2724850

<https://www.phoenixcontact.com/us/products/2724850>

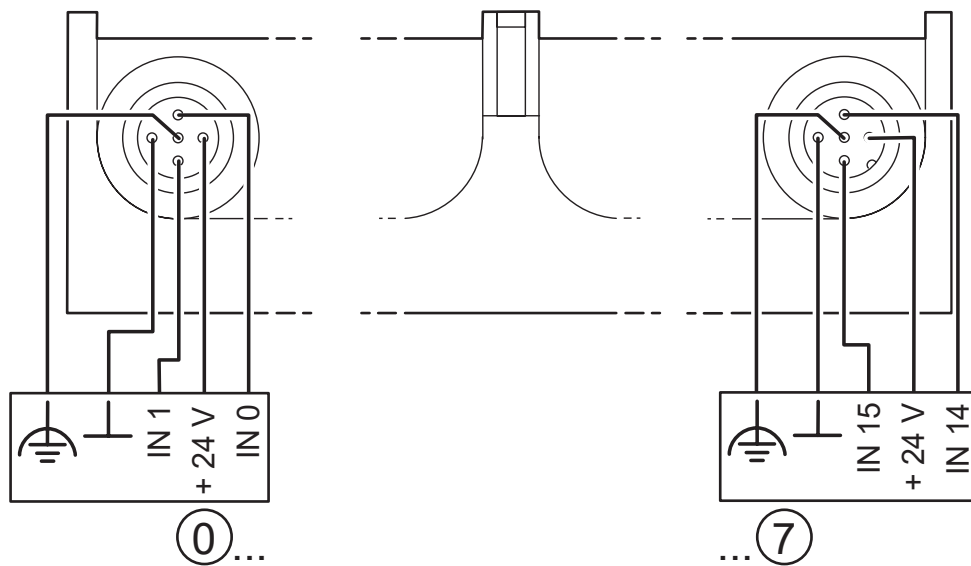
Degree of protection	IP65/IP67
Note	Seal unused slots/connections to ensure the degree of protection.
Air pressure (operation)	860 hPa ... 1080 hPa (up to 1500 m above sea level)
Air pressure (storage/transport)	660 hPa ... 1080 hPa (up to 3500 m above sea level)
Ambient temperature (storage/transport)	-25 °C ... 70 °C
Permissible humidity (operation)	100 %
Permissible humidity (storage/transport)	95 % (non-condensing)

## Mounting

Mounting type	Panel mounting
---------------	----------------

Drawings

Connection diagram



# IBS RL 24 DI 16/8-LK - Distributed I/O device



2724850

<https://www.phoenixcontact.com/us/products/2724850>

## Classifications

### UNSPSC

UNSPSC 21.0	32151600
-------------	----------

2724850

<https://www.phoenixcontact.com/us/products/2724850>

## Environmental product compliance

### EU RoHS

Fulfills EU RoHS substance requirements	Yes
Exemption	6(a), 6(a)-I, 7(a), 7(c)-I

### China RoHS

Environment friendly use period (EFUP)	EFUP-50
	An article-related China RoHS declaration table can be found in the download area for the respective article under "Manufacturer declaration". For all articles with EFUP-E, no China RoHS declaration table issued and required.

### EU REACH SVHC

REACH candidate substance (CAS No.)	Lead(CAS: 7439-92-1)
-------------------------------------	----------------------

Phoenix Contact 2026 © - all rights reserved  
<https://www.phoenixcontact.com>

Phoenix Contact USA  
586 Fulling Mill Road  
Middletown, PA 17057, United States  
(+717) 944-1300  
[info@phoenixcon.com](mailto:info@phoenixcon.com)