

IB ST 24 BAO 8/U - I/O module



2721044

<https://www.phoenixcontact.com/us/products/2721044>

Please be informed that the data shown in this PDF document is generated from our online catalog. Please find the complete data in the user documentation. Our general terms of use for downloads are valid.



INTERBUS-ST analog output module, D/A resolution 13-bit, 8 outputs, -10 V to +10 V, - 12 to + 12 V, consisting of: Terminal part with screw connection and module electronics

Product description

INTERBUS ST standard analog output modules

These 8-channel output modules are an inexpensive alternative in applications with many analog actuators.

In addition to the standard output voltage of -10 to +10 V, the IB ST 24 BAO 8/U offers an extended output range of -12 to +12 V.

If the high 12-bit resolution of the output value is not necessary, the IB ST 24 BAO 8/U-8B gives you the option of saving PLC memory by combining two channels of 8 bits each into one data word. Further features are:

- Diagnostic LEDs provide information on the operating status at any time.
- All modules can be individually labeled on the large pull-out labeling field. The insert cards can be prepared by hand, or by plotter or printer.
- In the event of failure or malfunction, the electronics of the module can be easily replaced. The passive termination block remains mounted on the rail. This means that the replacement process can be carried out in a just a few seconds and without the need for tools.
- The fuses are accessible from outside, so that a fault can be cleared quickly.
- The connection to protective earth ground is made directly via the DIN rail.
- The conventional labeling materials (Zack strip ZB-6, etc.) can be used to label the termination blocks.

Your advantages

- Temperature measurement modules
- Standard signal types (voltage and current)

Commercial data

Item number	2721044
Packing unit	1 pc
Note	Made to order (non-returnable)
Sales key	DR03
Product key	DRI342
GTIN	4017918132316
Weight per piece (including packing)	647.9 g
Weight per piece (excluding packing)	600 g
Customs tariff number	85389091
Country of origin	DE

IB ST 24 BAO 8/U - I/O module



2721044

<https://www.phoenixcontact.com/us/products/2721044>

Technical data

Dimensions

Dimensional drawing	
Width	118 mm
Height	117 mm
Length	116 mm

Notes

Utilization restriction

EMC note	EMC: class A product, see manufacturer's declaration in the download area
----------	---

Interfaces

ST local bus

Connection method	ST local bus connector
Transmission speed	500 kbps

Product properties

Product type	I/O component
Product family	Smart Terminal ST
Type	modular INTERBUS Smart Terminal
No. of channels	8

Electrical properties

Maximum power dissipation for nominal condition	3.6 W
Test section	Bus/Outputs 500 V AC 50 Hz 1 min
	Supply voltage/Outputs 500 V AC 50 Hz 1 min
	Supply voltage/Ground conductor 500 V AC 50 Hz 1 min
	I/O voltage/Ground conductor 500 V AC 50 Hz 1 min

Supply

Communications power U_L	9 V DC (from the ST local bus)
I/O voltage	± 24 V DC 5 % (ripple)
I/O voltage range	18.5 V DC ... 30.2 V DC
Typical current consumption	150 mA (at U_s)

IB ST 24 BAO 8/U - I/O module



2721044

<https://www.phoenixcontact.com/us/products/2721044>

Connection data

Connection technology

Connection name	Terminal block
-----------------	----------------

Terminal block

Connection method	Screw connection
Conductor cross-section, rigid	0.2 mm ² ... 2.5 mm ²
Conductor cross-section, flexible	0.2 mm ² ... 2.5 mm ²
Conductor cross-section AWG	24 ... 12
Stripping length	8 mm

Environmental and real-life conditions

Ambient conditions

Degree of protection	IP20
----------------------	------

Mounting

Mounting type	DIN rail mounting
---------------	-------------------

IB ST 24 BAO 8/U - I/O module

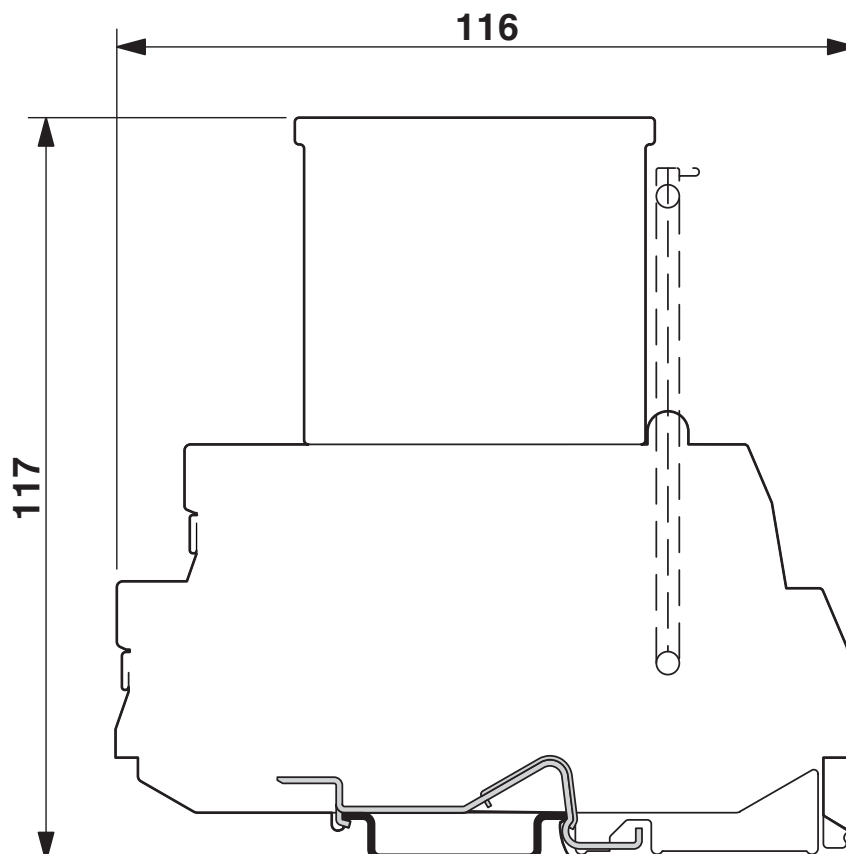
2721044

<https://www.phoenixcontact.com/us/products/2721044>



Drawings

Dimensional drawing

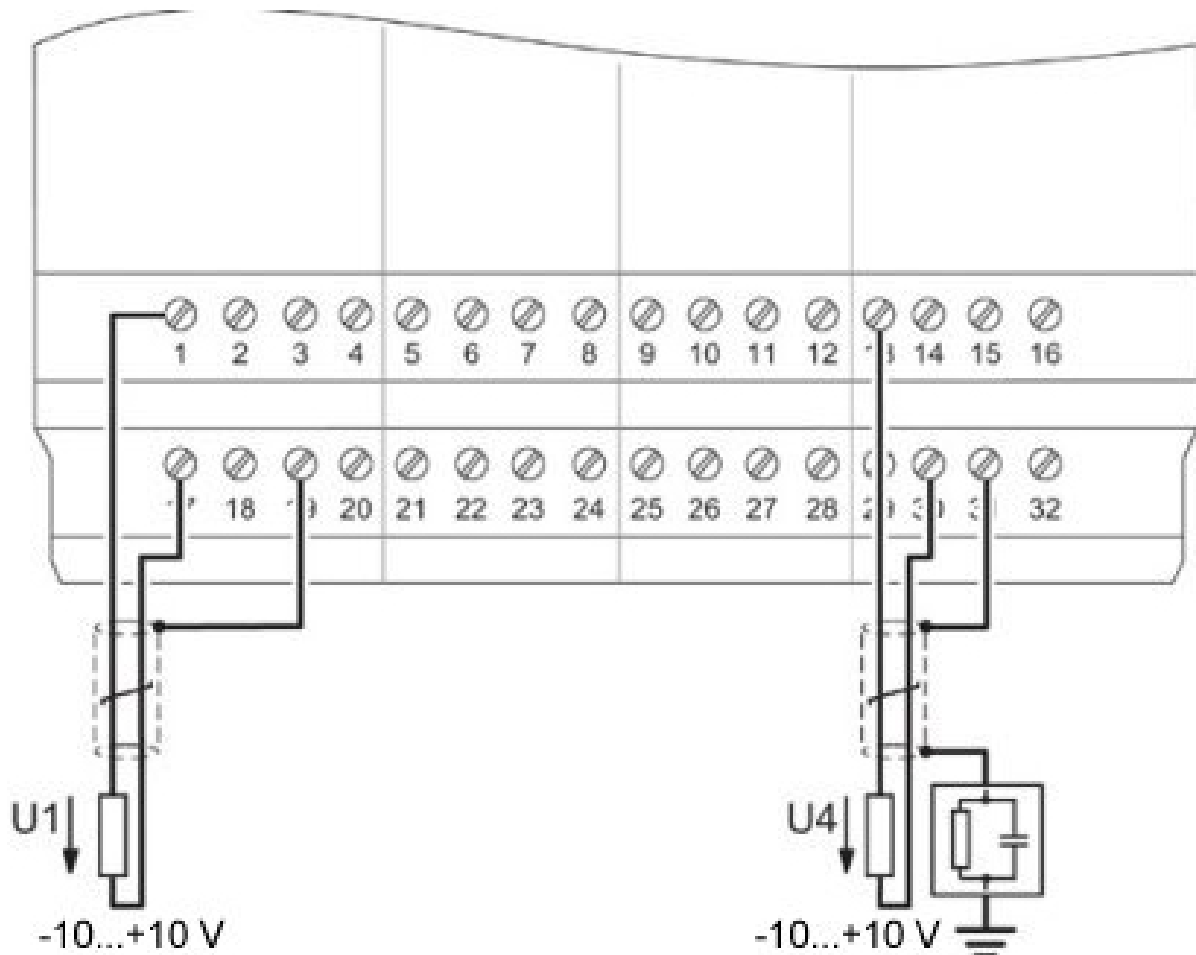


IB ST 24 BAO 8/U - I/O module

2721044

<https://www.phoenixcontact.com/us/products/2721044>

Connection diagram



IB ST 24 BAO 8/U - I/O module



2721044

<https://www.phoenixcontact.com/us/products/2721044>

Environmental product compliance

EU REACH SVHC

REACH candidate substance (CAS No.)	No substance above 0.1 wt%
-------------------------------------	----------------------------

Phoenix Contact 2026 © - all rights reserved

<https://www.phoenixcontact.com>

Phoenix Contact USA
586 Fulling Mill Road
Middletown, PA 17057, United States
(+717) 944-1300
info@phoenixcon.com