

# IBS SAB 24 DI 4/4 - Distributed I/O device



2719726

<https://www.phoenixcontact.com/us/products/2719726>

Please be informed that the data shown in this PDF document is generated from our online catalog. Please find the complete data in the user documentation. Our general terms of use for downloads are valid.



INTERBUS sensor/actuator box, digital input module, 4 digital inputs, 24 V DC, 4-conductor connection technology, IP67 degree of protection

## Commercial data

Item number	2719726
Packing unit	1 pc
Note	Made to order (non-returnable)
Sales key	NULL
Product key	DRIA43
GTIN	4017918140281
Weight per piece (including packing)	340.8 g
Weight per piece (excluding packing)	340.8 g
Customs tariff number	85389091
Country of origin	DE

## Technical data

### Electrical properties

#### Supply

I/O voltage	24 V DC 5 % (ripple)
I/O voltage range	20 V DC ... 30 V DC (including ripple)
Residual ripple	± 1.2 V DC
Max. current consumption	500 mA (at 24 V DC with load)
Typical current consumption	100 mA (from the installation remote bus)

### Input data

#### Digital

Number of inputs	4
Input voltage	24 V DC
Input voltage range "0" signal	-30 V DC ... 5 V DC
Input voltage range "1" signal	13 V DC ... 30 V DC
Connection method	5-pos. M12 sensor connector, female
Connection technology	4-conductor
Typical input current per channel	5 mA

### Connection data

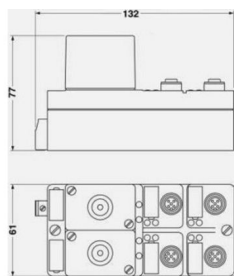
Conductor cross-section, rigid	0.14 mm <sup>2</sup> ... 1.5 mm <sup>2</sup>
Conductor cross-section, flexible	0.14 mm <sup>2</sup> ... 1.5 mm <sup>2</sup>
Conductor cross-section AWG	28 ... 16

### Interfaces

#### Installation remote bus

Connection method	SAB connector hood with MINI-COMBICON
Transmission physics	Copper

### Dimensions

Dimensional drawing	
Width	61 mm
Height	77 mm
Length	77 mm

# IBS SAB 24 DI 4/4 - Distributed I/O device



2719726

<https://www.phoenixcontact.com/us/products/2719726>

## Material specifications

Color	green
-------	-------

## Mounting

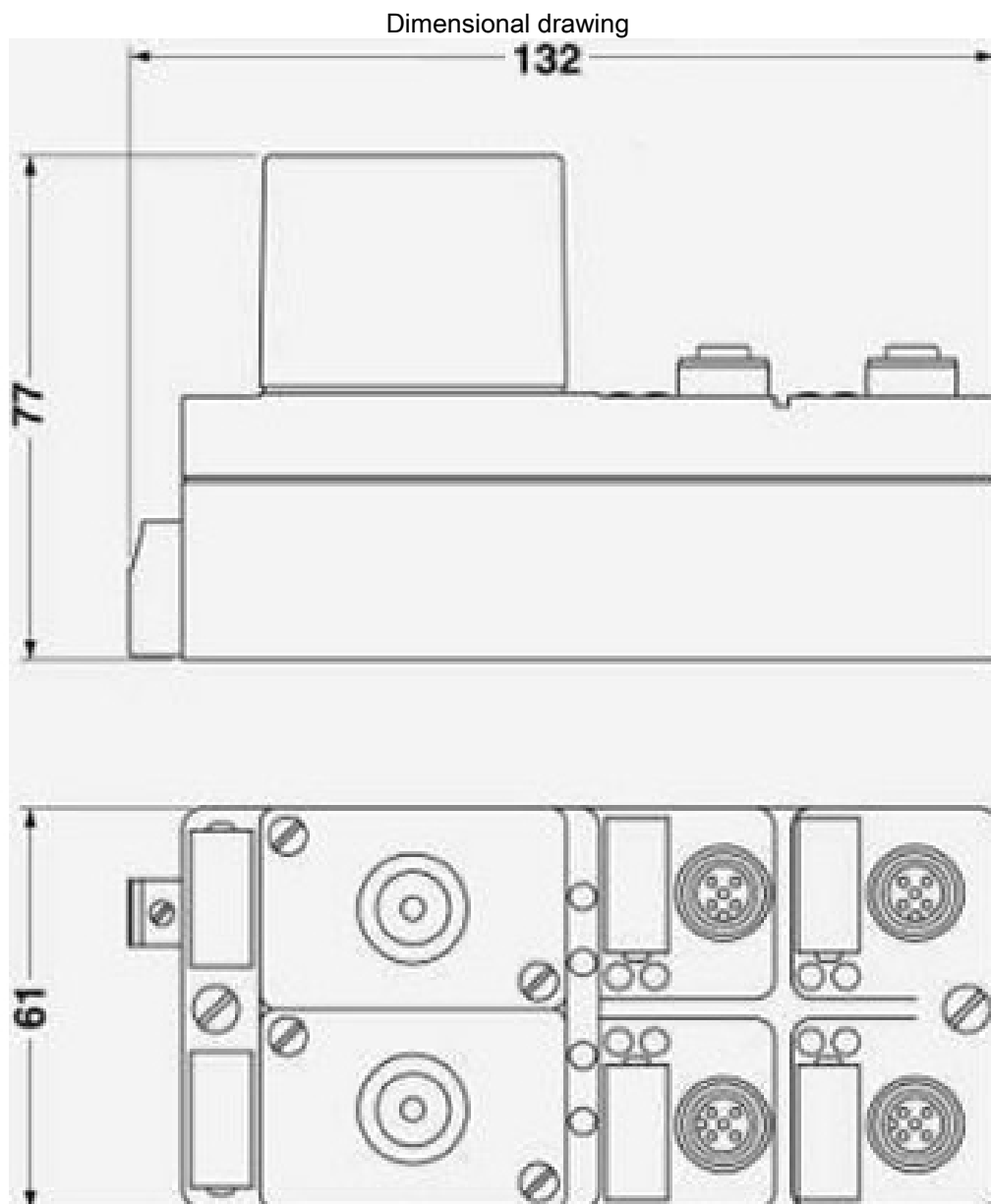
Mounting type	Panel mounting
---------------	----------------

# IBS SAB 24 DI 4/4 - Distributed I/O device

2719726

<https://www.phoenixcontact.com/us/products/2719726>

## Drawings



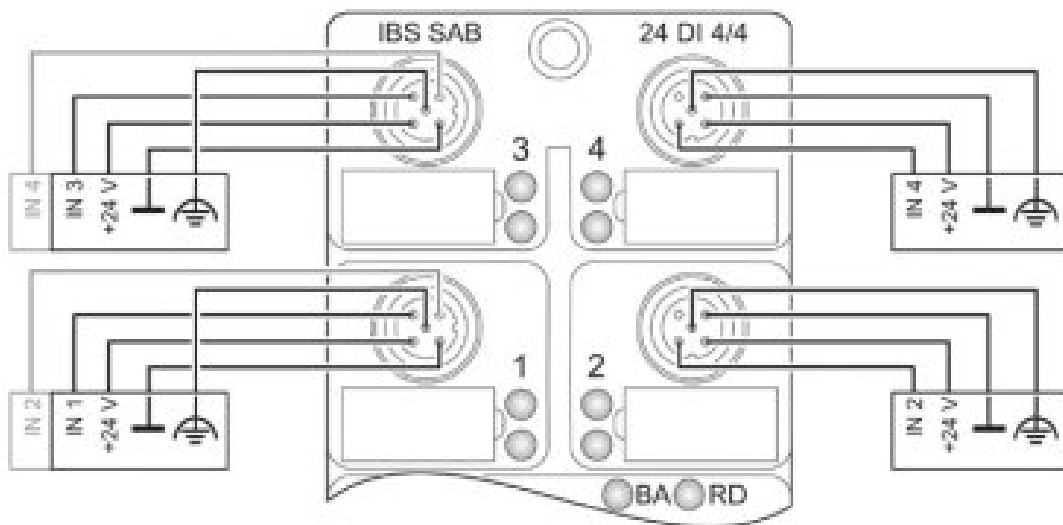
# IBS SAB 24 DI 4/4 - Distributed I/O device



2719726

<https://www.phoenixcontact.com/us/products/2719726>

Connection diagram



# IBS SAB 24 DI 4/4 - Distributed I/O device



2719726

<https://www.phoenixcontact.com/us/products/2719726>

## Environmental product compliance

### China RoHS

Environment friendly use period (EFUP)	EFUP-E
	No hazardous substances above the limits

### EU REACH SVHC

REACH candidate substance (CAS No.)	No substance above 0.1 wt%
-------------------------------------	----------------------------

Phoenix Contact 2026 © - all rights reserved  
<https://www.phoenixcontact.com>

Phoenix Contact USA  
586 Fulling Mill Road  
Middletown, PA 17057, United States  
(+717) 944-1300  
[info@phoenixcon.com](mailto:info@phoenixcon.com)