

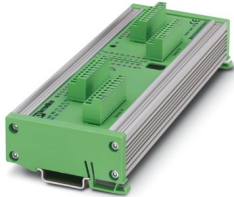
# IBS CT 24 IO GT-T - Coupling module



2719470

<https://www.phoenixcontact.com/us/products/2719470>

Please be informed that the data shown in this PDF document is generated from our online catalog. Please find the complete data in the user documentation. Our general terms of use for downloads are valid.



Coupling module (gateway), I/O coupling module for two INTERBUS systems, 24 V DC, IP20 protection, with MINI-COMBICON remote bus connection

## Product description

INTERBUS CT coupling module (gateway) for two INTERBUS systems

INTERBUS CT coupling modules connect two INTERBUS systems together on the input/output level. In their function, they correspond to two normal I/O modules, the inputs and outputs of which are connected crosswise. In this way, INTERBUS can be used to facilitate bi-directional data transfer between any two control systems. The extent of the data can be up to ten words (160 bits) per cycle. The data width can be configured between one byte and ten words by means of a rotary switch (byte configuration is only possible in Generation 4 controller boards). The selected data word (or byte) is shown on a 7-segment display.

The modules are installed directly in the INTERBUS remote bus. In the IBS CT 24 IO GT-T module, the bus is connected via plug-in MINI-COMBICON terminals. The IBS CT 24 IO GT-LK fiber optic module has F-SMA connectors.

The modules are equipped with electrically isolated bus lines as well as a redundant supply of the 24 V power.

Sixteen status LEDs assigned to each bus line are used to display the signal states.

A button located on the module permits the current output word or byte of the specific remote bus to be displayed. In this case, the output information for one bus is the input information of the other.

## Your advantages

- Electrical isolation
- DIN rail mounting
- Diagnostic and status indicators
- Remote bus connections via MINI COMBICON

## Commercial data

Item number	2719470
Packing unit	1 pc
Note	Made to order (non-returnable)
Sales key	DN16
Product key	DR1A11
GTIN	4017918126940
Weight per piece (including packing)	437.1 g
Weight per piece (excluding packing)	403.91 g
Customs tariff number	85389091
Country of origin	DE

# IBS CT 24 IO GT-T - Coupling module



2719470

<https://www.phoenixcontact.com/us/products/2719470>

## Technical data

### Product properties

Product type	Gateways/Proxies
Type	Block design

### Electrical properties

Test section	Supply voltage/logics 500 V AC 50 Hz 1 min
	Supply voltage/functional ground 500 V AC 50 Hz 1 min
	Logic/functional ground 500 V AC 50 Hz 1 min
	INTERBUS system 1/INTERBUS system 2 500 V AC 50 Hz 1 min
Protective circuit	Reverse polarity protection; Serial diode
	Surge protection (35 V for 0.5 s)
Power dissipation	5 W

### Supply

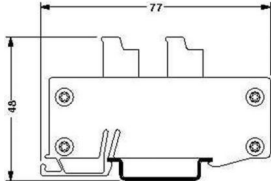
Supply voltage	24 V DC
Supply voltage range	19.2 V ... 30 V
Residual ripple	± 1.2 V
Typical current consumption	240 mA

### Interfaces

#### INTERBUS remote bus (incoming/outgoing)

Connection method	10-pos. MINI-COMBICON connector
Transmission speed	500 kbps

### Dimensions

Dimensional drawing	
Width	204 mm
Height	77 mm
Depth	37 mm

### Environmental and real-life conditions

#### Ambient conditions

Degree of protection	IP20
----------------------	------

# IBS CT 24 IO GT-T - Coupling module



2719470

<https://www.phoenixcontact.com/us/products/2719470>

Ambient temperature (operation)	-20 °C ... 70 °C
---------------------------------	------------------

## Mounting

Mounting type	DIN rail mounting
---------------	-------------------

# IBS CT 24 IO GT-T - Coupling module

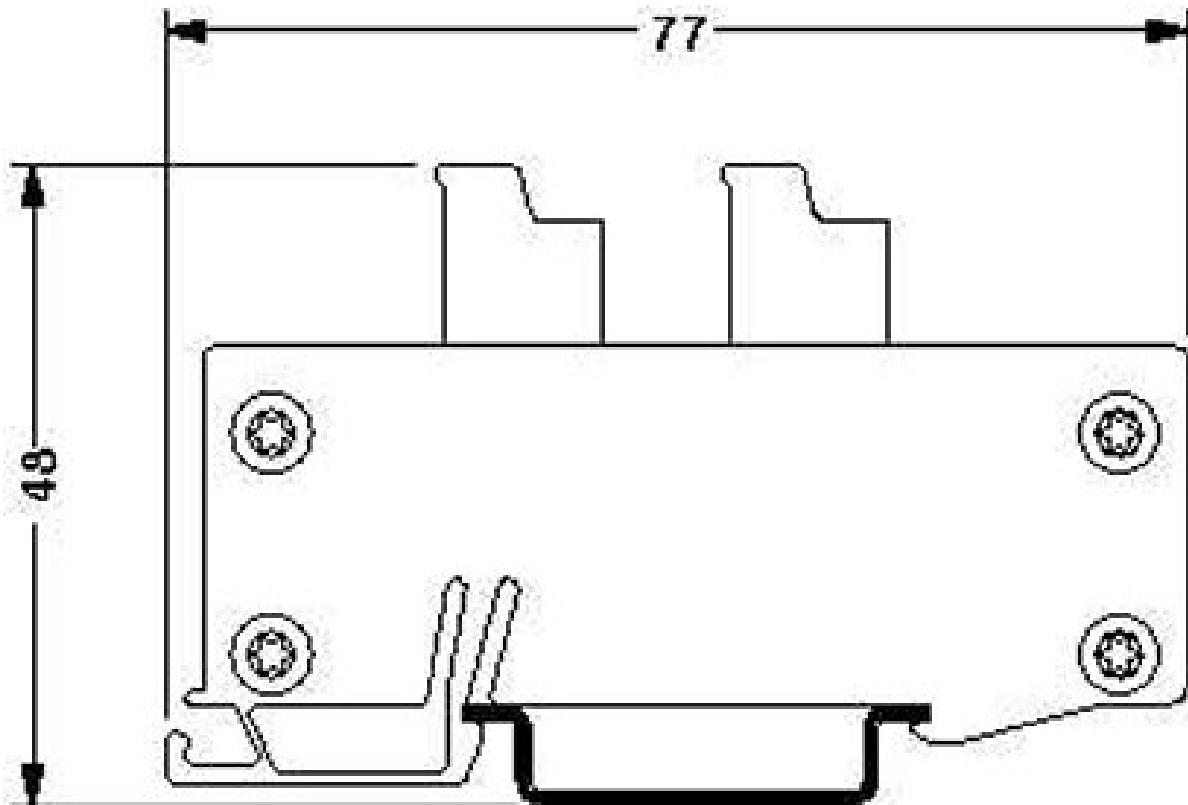
2719470

<https://www.phoenixcontact.com/us/products/2719470>



## Drawings

Dimensional drawing



# IBS CT 24 IO GT-T - Coupling module

2719470

<https://www.phoenixcontact.com/us/products/2719470>



## Classifications

### UNSPSC

UNSPSC 21.0	32151602
-------------	----------

# IBS CT 24 IO GT-T - Coupling module



2719470

<https://www.phoenixcontact.com/us/products/2719470>

## Environmental product compliance

### China RoHS

Environment friendly use period (EFUP)	EFUP-E
	No hazardous substances above the limits

### EU REACH SVHC

REACH candidate substance (CAS No.)	No substance above 0.1 wt%
-------------------------------------	----------------------------

Phoenix Contact 2026 © - all rights reserved  
<https://www.phoenixcontact.com>

Phoenix Contact USA  
586 Fulling Mill Road  
Middletown, PA 17057, United States  
(+717) 944-1300  
[info@phoenixcon.com](mailto:info@phoenixcon.com)