

IL DN BK3-PAC - Bus coupler

2718785

<https://www.phoenixcontact.com/us/products/2718785>

Please be informed that the data shown in this PDF document is generated from our online catalog. Please find the complete data in the user documentation. Our general terms of use for downloads are valid.



Inline, Bus coupler, DeviceNet™, TWIN COMBICON, connection technology: Spring-cage connection, degree of protection: IP20

Product description

The DeviceNet™ fieldbus coupler enables the flexible INTERBUS Inline automation kit to be operated with DeviceNet™ as well. The fieldbus coupler allows an INTERBUS Inline station to be inserted at any point in a DeviceNet™ network. The fieldbus coupler is a slave in the DeviceNet™ and a master in the lower-level INTERBUS Inline local bus. The address of the DeviceNet™ slave can easily be set from outside by means of DIP switches. DeviceNet™ is connected via a Twin Combicon plug. The operating voltage for the fieldbus coupler and the electronics can be fed using a separate power plug. For the DeviceNet™ project planning, a regularly updated EDS file (Electronica Data Sheet) is provided in the Product Information Service (see below). The DeviceNet™ fieldbus coupler supports the proven INTERBUS Inline diagnostics as well as the typical diagnostics objects for the DeviceNet. Local LEDs enable precise diagnostics.

Please note the following when you configure the system:

The total logic current of all terminals connected to a DeviceNet™ fieldbus coupler must not exceed the maximum permissible total current of 2 A. Therefore, depending on your configuration, the number of terminal blocks that you can connect may be less than 63.

Your advantages

- Up to 63 I/O terminals can be connected
- Diagnostic and status indicators

Commercial data

Item number	2718785
Packing unit	1 pc
Note	Made to order (non-returnable)
Sales key	NULL
Product key	DRI114
GTIN	4017918890049
Weight per piece (including packing)	311.8 g
Weight per piece (excluding packing)	240 g
Customs tariff number	85176200
Country of origin	DE

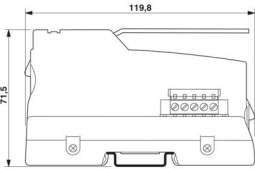
IL DN BK3-PAC - Bus coupler

2718785

<https://www.phoenixcontact.com/us/products/2718785>

Technical data

Dimensions

Dimensional drawing	
Width	85 mm
Height	119.8 mm
Depth	71.5 mm

Notes

Utilization restriction

EMC note	EMC: class A product, see manufacturer's declaration in the download area
----------	---

Material specifications

Color	green
-------	-------

Interfaces

DeviceNet™

No. of channels	1
Connection method	TWIN COMBICON
Number of positions	10
Transmission speed	500 kBaud, 250 kBaud, 125 kBaud (Can be set via DIP switch or programmed)

Inline local bus

Connection method	Inline data jumper
-------------------	--------------------

Supply

Connection method	8-pos. Inline connector
-------------------	-------------------------

Fieldbus: Local bus gateway

Max. number of local bus devices	63 (The on-board I/Os are two devices)
----------------------------------	--

System properties

System limits

Number of local bus devices that can be connected	max. 63
Number of devices with parameter channel	max. 8
Number of supported branch terminals with remote bus branch	0

IL DN BK3-PAC - Bus coupler



2718785

<https://www.phoenixcontact.com/us/products/2718785>

Module

ID code (hex)	none
---------------	------

Input data

Digital:

Connection technology	Spring-cage connection
-----------------------	------------------------

Product properties

Product type	I/O component
Product family	Inline
Type	modular

Electrical properties

Protective circuit	Reverse polarity protection
--------------------	-----------------------------

Potentials

Current draw	max. 1.25 A
--------------	-------------

Potentials: Communications power (U_L)

Supply voltage	7.5 V DC \pm 5 %
Power supply	max. 2 A DC (observe derating)

Potentials: Supply of analog modules (U_{ANA})

Supply voltage	24 V DC
Supply voltage range	19.2 V DC ... 30 V DC (including all tolerances, including ripple)
Power supply	max. 0.5 A DC (observe derating)

Potentials: Main circuit supply (U_M)

Supply voltage	24 V DC
Supply voltage range	19.2 V DC ... 30 V DC (including all tolerances, including ripple)
Power supply	max. 8 A DC (sum of $U_M + U_S$)

Potentials: Segment circuit supply (U_S)

Supply voltage	24 V DC
Supply voltage range	19.2 V DC ... 30 V DC (including all tolerances, including ripple)
Power supply	max. 8 A DC (sum of $U_M + U_S$)

Connection data

Connection technology

Connection name	Inline connector
-----------------	------------------

Inline connector

Connection method	Spring-cage connection
Conductor cross-section, rigid	0.08 mm ² ... 1.5 mm ²
Conductor cross-section, flexible	0.08 mm ² ... 1.5 mm ²
Conductor cross-section AWG	28 ... 16

IL DN BK3-PAC - Bus coupler



2718785

<https://www.phoenixcontact.com/us/products/2718785>

Stripping length	8 mm
------------------	------

Environmental and real-life conditions

Ambient conditions

Ambient temperature (operation)	-25 °C ... 55 °C
Degree of protection	IP20
Air pressure (operation)	80 kPa ... 106 kPa (up to 3000 m above sea level)
Air pressure (storage/transport)	70 kPa ... 106 kPa (up to 3500 m above sea level)
Ambient temperature (storage/transport)	-45 °C ... 85 °C
Permissible humidity (operation)	95 % (non-condensing)
Permissible humidity (storage/transport)	85 % (non-condensing)

Mounting

Mounting type	DIN rail mounting
---------------	-------------------

IL DN BK3-PAC - Bus coupler

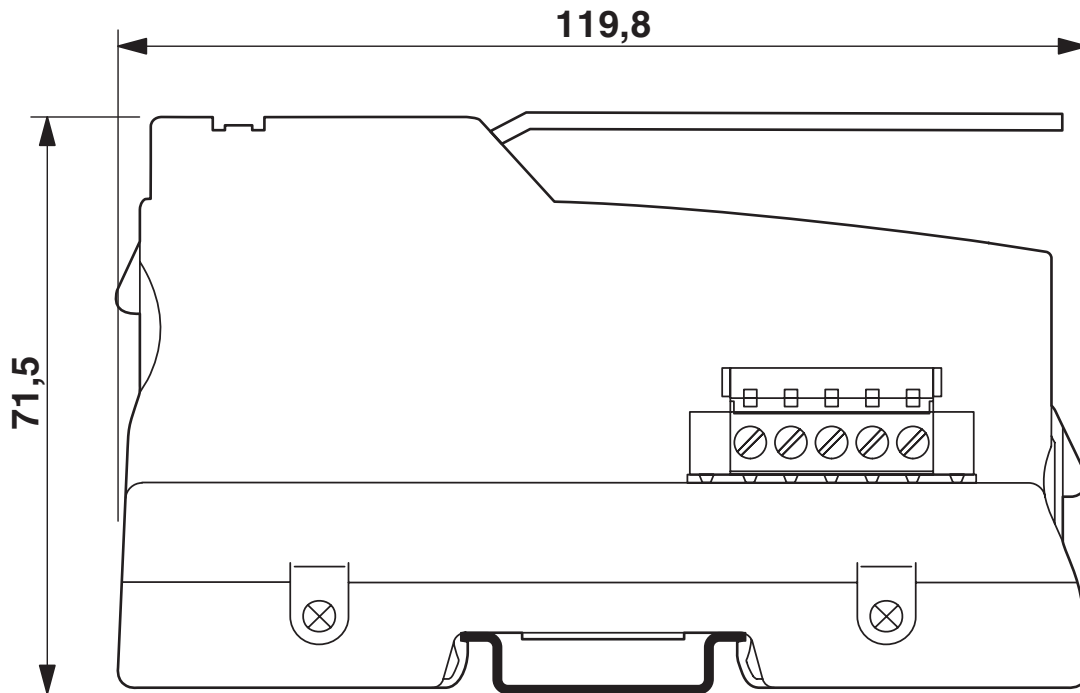
2718785

<https://www.phoenixcontact.com/us/products/2718785>

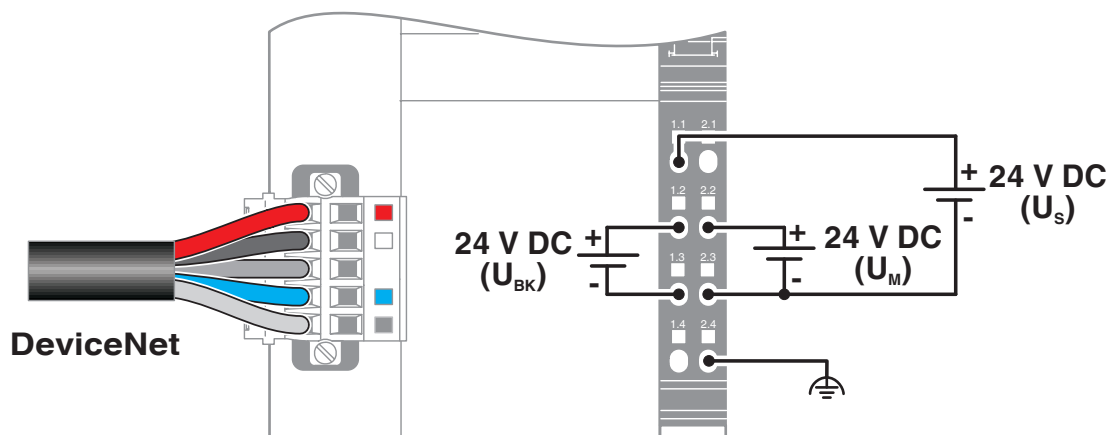


Drawings

Dimensional drawing



Connection diagram



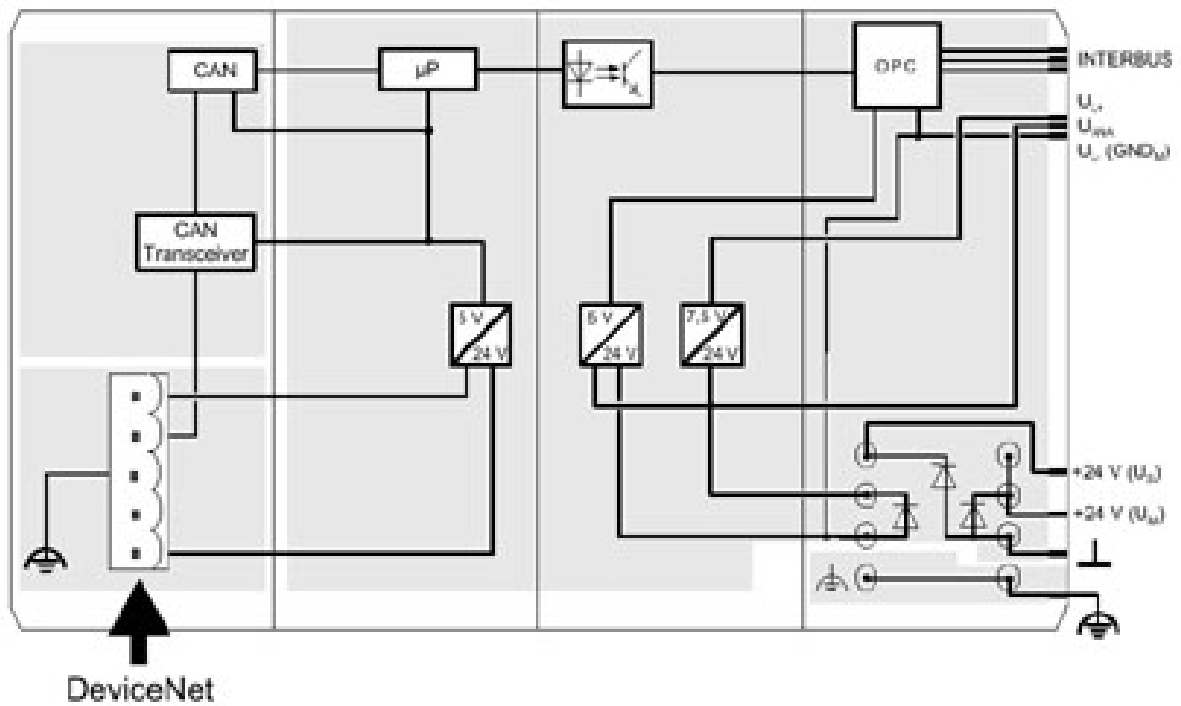
IL DN BK3-PAC - Bus coupler

2718785

<https://www.phoenixcontact.com/us/products/2718785>



Block diagram



IL DN BK3-PAC - Bus coupler



2718785

<https://www.phoenixcontact.com/us/products/2718785>

Environmental product compliance

EU RoHS

Fulfills EU RoHS substance requirements	Yes
Exemption	6(c), 7(a), 7(c)-I

China RoHS

Environment friendly use period (EFUP)	EFUP-E
	No hazardous substances above the limits

EU REACH SVHC

REACH candidate substance (CAS No.)	Lead(CAS: 7439-92-1)
-------------------------------------	----------------------

Phoenix Contact 2026 © - all rights reserved

<https://www.phoenixcontact.com>

Phoenix Contact USA
586 Fulling Mill Road
Middletown, PA 17057, United States
(+717) 944-1300
info@phoenixcon.com