

IL PB BK DP/V1 - Bus coupler

2718688

<https://www.phoenixcontact.com/us/products/2718688>



Please be informed that the data shown in this PDF document is generated from our online catalog. Please find the complete data in the user documentation. Our general terms of use for downloads are valid.



PROFIBUS bus coupler, Standard-PROFIBUS-DP and its extension, DP/V1, 24 V DC, without accessories

The figure shows the version IL PB BK DP/V1-PAC

Commercial data

Item number	2718688
Packing unit	1 pc
Note	Made to order (non-returnable)
Sales key	NULL
Product key	DRI112
GTIN	4017918904616
Weight per piece (including packing)	265.6 g
Weight per piece (excluding packing)	265.6 g
Customs tariff number	85389091
Country of origin	DE

Technical data

Product properties

Type	modular
------	---------

System properties

INTERBUS-Master

Number of devices with parameter channel	max. 16
--	---------

Programming data

Register length (master)	176 Byte
--------------------------	----------

Electrical properties

Protective circuit	Reverse polarity protection
--------------------	-----------------------------

Potentials: Bus coupler supply U_{BK} ; Communications power U_L (7.5 V) and the analog supply U_{ANA} (24 V) are generated from the bus coupler supply.

Supply voltage	24 V DC
Supply voltage range	19.2 V DC ... 30 V DC (via Inline connector)
Current draw	max. 1.25 A (with max. number of connected I/O terminal blocks) typ. 100 mA (no local bus devices connected)

Potentials: Communications power (U_L)

Supply voltage	7.5 V DC \pm 5 %
Power supply	max. 2 A DC (observe derating)

Potentials: Supply of analog modules (U_{ANA})

Supply voltage	24 V DC
Supply voltage range	19.2 V DC ... 30 V DC (including all tolerances, including ripple)
Power supply	max. 0.5 A DC (observe derating)

Potentials: Main circuit supply (U_M)

Supply voltage	24 V DC
Supply voltage range	19.2 V DC ... 30 V DC (including all tolerances, including ripple)
Power supply	max. 8 A DC (sum of $U_M + U_S$)

Potentials: Segment circuit supply (U_S)

Supply voltage	24 V DC
Supply voltage range	19.2 V DC ... 30 V DC (including all tolerances, including ripple)
Power supply	max. 8 A DC (sum of $U_M + U_S$)

Electrical isolation/isolation of the voltage ranges

Test voltage: RS-485 interface / supply voltage	500 V
Test voltage: RS-485 interface / local bus	500 V

Connection data

IL PB BK DP/V1 - Bus coupler

2718688

<https://www.phoenixcontact.com/us/products/2718688>

Inline connector

Connection method	Spring-cage connection
Conductor cross-section, rigid	0.08 mm ² ... 1.5 mm ²
Conductor cross-section, flexible	0.08 mm ² ... 1.5 mm ²
Conductor cross-section AWG	28 ... 16

Interfaces

PROFIBUS DP

Connection method	D-SUB-9 female connector
Number of positions	9
Transmission speed	9.6 kbps ... 12 Mbps

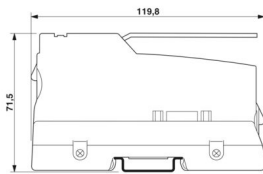
Inline local bus

Connection method	Inline data jumper
-------------------	--------------------

Fieldbus: Local bus gateway

Max. number of local bus devices	63 (The on-board I/Os are two devices)
----------------------------------	--

Dimensions

Dimensional drawing	
Width	85 mm
Height	119.8 mm
Depth	71.5 mm

Material specifications

Color	green
-------	-------

Environmental and real-life conditions

Ambient conditions

Ambient temperature (operation)	0 °C ... 55 °C
Degree of protection	IP20
Air pressure (operation)	80 kPa ... 106 kPa (up to 3000 m above sea level)
Air pressure (storage/transport)	70 kPa ... 106 kPa (up to 3000 m above sea level)
Permissible humidity (operation)	85 % (non-condensing)
Permissible humidity (storage/transport)	85 % (non-condensing)

Mechanical test

Vibration resistance in accordance with EN 60068-2-6/IEC 60068-2-6	5g
--	----

IL PB BK DP/V1 - Bus coupler



2718688

<https://www.phoenixcontact.com/us/products/2718688>

Shock in accordance with EN 60068-2-27/IEC 60068-2-27

Operation: 25g, 11 ms duration, semi-sinusoidal shock impulse

Standards and regulations

Protection class

III (IEC 61140, EN 61140, VDE 0140-1)

Mounting

Mounting type

DIN rail mounting

IL PB BK DP/V1 - Bus coupler

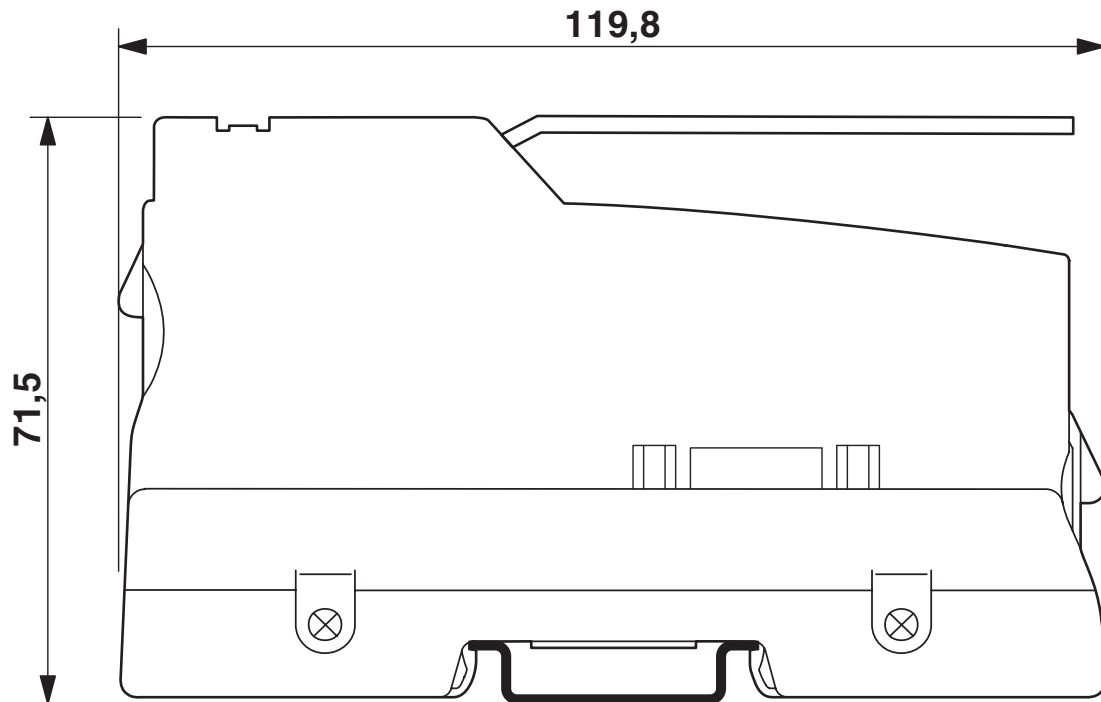
2718688

<https://www.phoenixcontact.com/us/products/2718688>

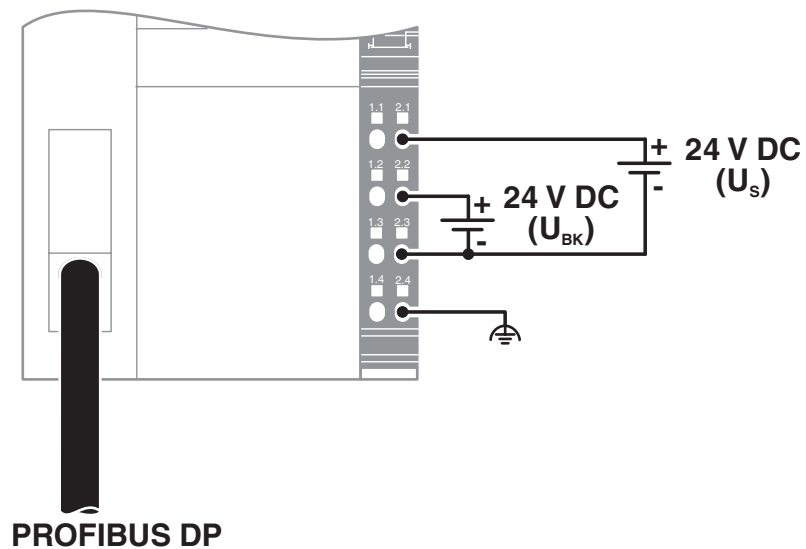


Drawings

Dimensional drawing



Connection diagram

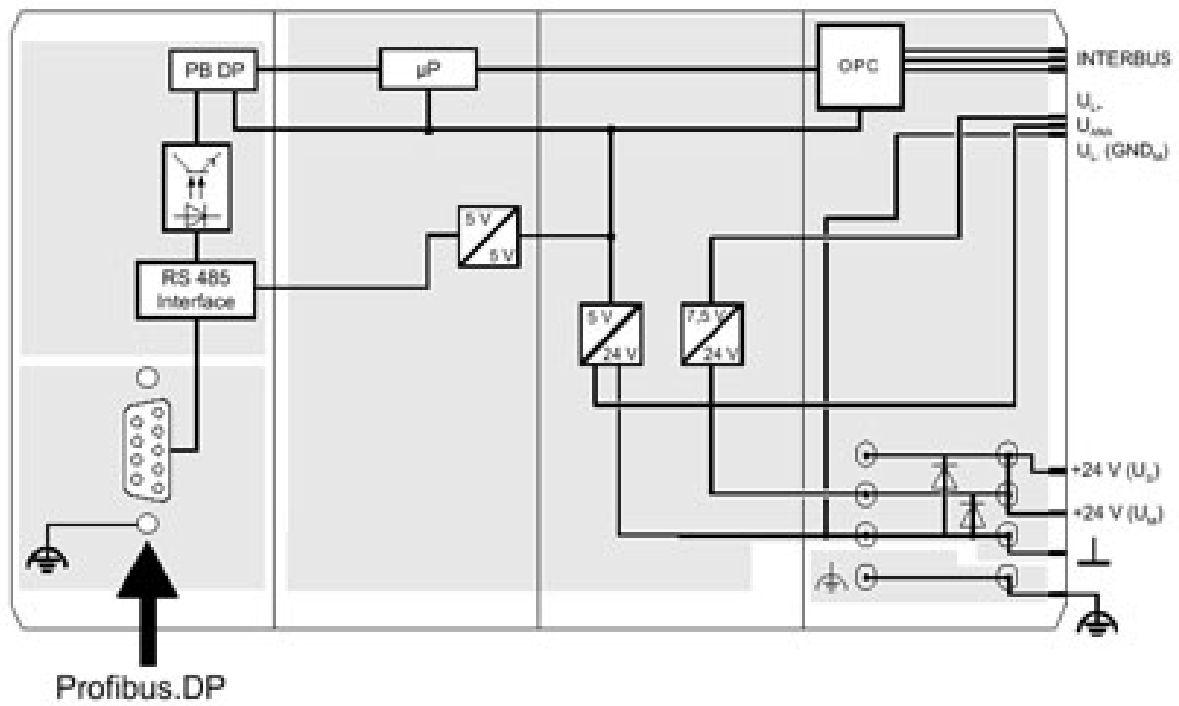


IL PB BK DP/V1 - Bus coupler

2718688

<https://www.phoenixcontact.com/us/products/2718688>

Block diagram



IL PB BK DP/V1 - Bus coupler

2718688

<https://www.phoenixcontact.com/us/products/2718688>



Environmental product compliance

EU REACH SVHC

REACH candidate substance (CAS No.)	No substance above 0.1 wt%
-------------------------------------	----------------------------

Phoenix Contact 2026 © - all rights reserved

<https://www.phoenixcontact.com>

Phoenix Contact USA
586 Fulling Mill Road
Middletown, PA 17057, United States
(+717) 944-1300
info@phoenixcon.com