

IB IL 24 MUX MA - Inline terminal

2718413

<https://www.phoenixcontact.com/us/products/2718413>

Please be informed that the data shown in this PDF document is generated from our online catalog. Please find the complete data in the user documentation. Our general terms of use for downloads are valid.



Inline field multiplexer, without accessories, transmission of very remote signals without configuration

Product description

The field multiplexer is the central unit of a field multiplexer station. All the necessary Inline I/O terminals of a station are connected to it. The field multiplexer exchanges data with the remote station via a remote bus cable.

Your advantages

- From hardware version 15, approved for use in potentially explosive areas of zone 2
- Diagnostic and status indicators
- Remote bus connections using copper technology

Commercial data

Item number	2718413
Packing unit	1 pc
Note	Made to order (non-returnable)
Sales key	DR01
Product key	DRI11M
GTIN	4017918160029
Weight per piece (including packing)	193.2 g
Weight per piece (excluding packing)	166.21 g
Customs tariff number	85389091
Country of origin	DE

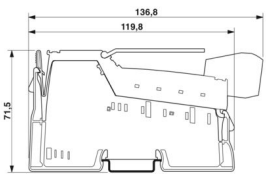
IB IL 24 MUX MA - Inline terminal

2718413

<https://www.phoenixcontact.com/us/products/2718413>

Technical data

Dimensions

Dimensional drawing	
Width	48.8 mm
Height	119.8 mm
Depth	71.5 mm

Material specifications

Color	green
-------	-------

Interfaces

Inline local bus

Connection method	Inline data jumper
Transmission speed	500 kbps

Remote bus

Connection method	Inline shield connector
-------------------	-------------------------

Supply voltage

Connection method	8-pos. Inline power connector
-------------------	-------------------------------

System properties

Programming data

Register length (master)	512 bit
--------------------------	---------

Product properties

Product type	I/O component
Product family	Inline
Type	modular

Electrical properties

Test section	RS-485 interface / supply voltage 500 V AC
	RS-485 interface / local bus 500 V AC
Protective circuit	Reverse polarity protection

Supply

Supply voltage	24 V DC
----------------	---------

IB IL 24 MUX MA - Inline terminal



2718413

<https://www.phoenixcontact.com/us/products/2718413>

Supply voltage range	19.2 V DC ... 30 V DC (including ripple)
Max. total permissible current consumption of all I/O terminal blocks	Communications power (7,5 V DC) \leq 2 A
	Analog supply (24 V DC) \leq 0.5 A
Residual ripple	\pm 1.2 V
Typical current consumption	< 60 mA (without connected I/O terminal blocks (24 V DC supply))
	1.25 A (with max. number of connected I/O terminal blocks (24 V DC supply))
	8 A (If this value is exceeded, further power or segment terminals must be used!)

Connection data

Connection technology

Connection name	Inline connector
-----------------	------------------

Inline connector

Connection method	Spring-cage connection
Conductor cross-section, rigid	0.08 mm ² ... 1.5 mm ²
Conductor cross-section, flexible	0.08 mm ² ... 1.5 mm ²
Conductor cross-section AWG	28 ... 16

Environmental and real-life conditions

Ambient conditions

Degree of protection	IP20
Ambient temperature (operation)	-25 °C ... 55 °C
Permissible humidity (operation)	75 % ... 85 %
Air pressure (operation)	80 kPa ... 106 kPa (up to 2000 m above sea level)
Air pressure (storage/transport)	70 kPa ... 106 kPa (up to 3000 m above sea level)

Mounting

Mounting type	DIN rail mounting
---------------	-------------------

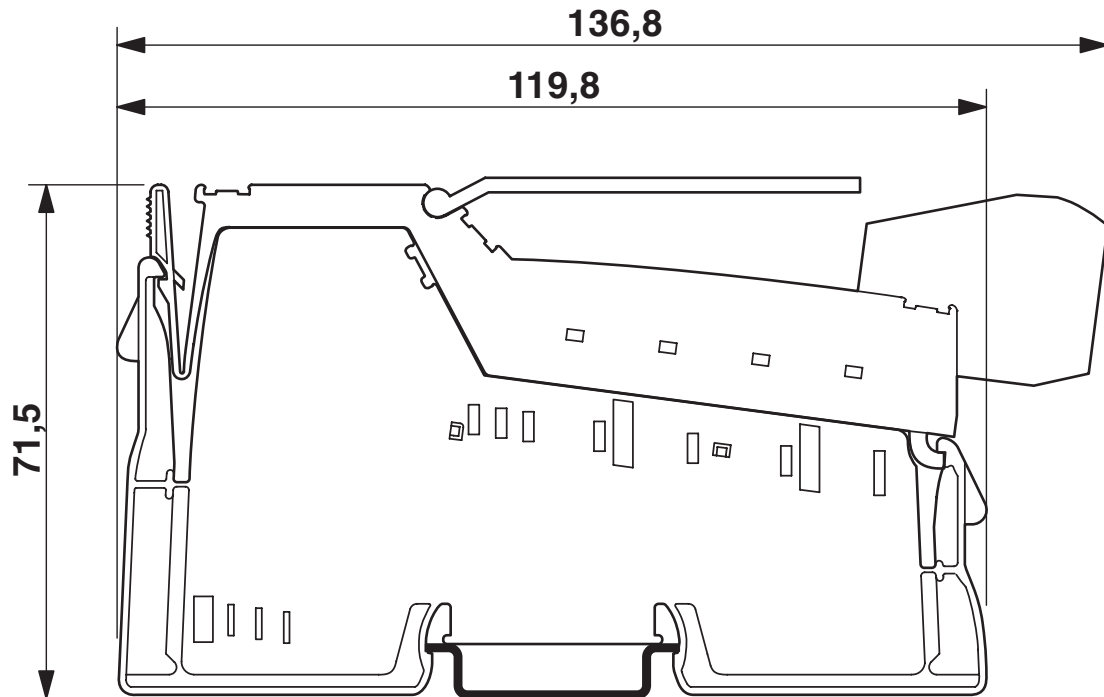
IB IL 24 MUX MA - Inline terminal

2718413

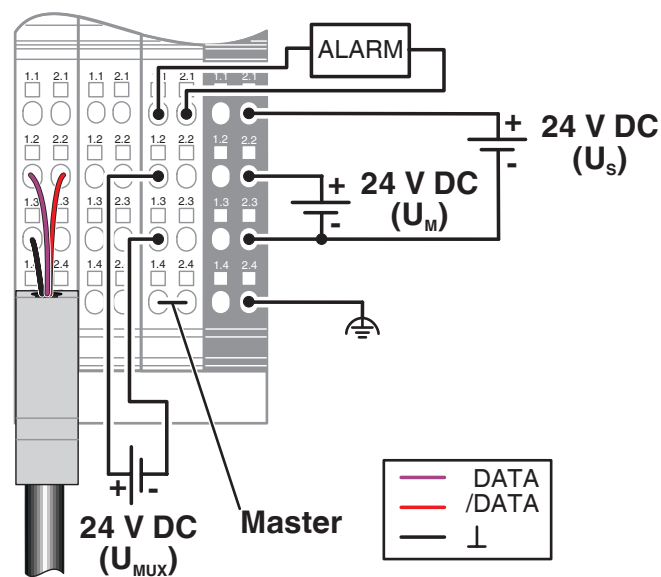
<https://www.phoenixcontact.com/us/products/2718413>

Drawings

Dimensional drawing



Connection diagram



IB IL 24 MUX MA - Inline terminal



2718413

<https://www.phoenixcontact.com/us/products/2718413>

Environmental product compliance

EU REACH SVHC

REACH candidate substance (CAS No.)	No substance above 0.1 wt%
-------------------------------------	----------------------------

Phoenix Contact 2026 © - all rights reserved

<https://www.phoenixcontact.com>

Phoenix Contact USA
586 Fulling Mill Road
Middletown, PA 17057, United States
(+717) 944-1300
info@phoenixcon.com