

E/ME TBUS NS35 GY - End bracket

2713780

<https://www.phoenixcontact.com/us/products/2713780>

Please be informed that the data shown in this PDF document is generated from our online catalog. Please find the complete data in the user documentation. Our general terms of use for downloads are valid.



End clamp, stable construction for DIN rail bus connector

Your advantages

- Flammability rating V0 in accordance with UL 94
- Can be mounted on the DIN rail

Commercial data

Item number	2713780
Packing unit	50 pc
Minimum order quantity	10 pc
Sales key	AC08
Product key	ACHACZ
GTIN	4017918943493
Weight per piece (including packing)	14.68 g
Weight per piece (excluding packing)	12.76 g
Customs tariff number	39269097
Country of origin	DE

E/ME TBUS NS35 GY - End bracket

2713780

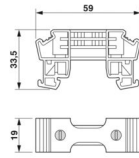
<https://www.phoenixcontact.com/us/products/2713780>

Technical data

Product properties

Product type	Mounting material
Housing type	DIN rail housing
Housing series	ME

Dimensions

Dimensional drawing	
Width	19 mm
Height	58.92 mm
Depth	33.47 mm

Material specifications

Color (Housing)	gray (RAL 7042)
Flammability rating according to UL 94	V0
Housing material	PA

Environmental and real-life conditions

Ambient conditions

Ambient temperature (operation)	-40 °C ... 105 °C (depending on power dissipation)
Ambient temperature (storage/transport)	-40 °C ... 55 °C
Ambient temperature (assembly)	-5 °C ... 100 °C
Relative humidity (storage/transport)	80 %

Mounting

Mounting type	DIN rail mounting
---------------	-------------------

E/ME TBUS NS35 GY - End bracket

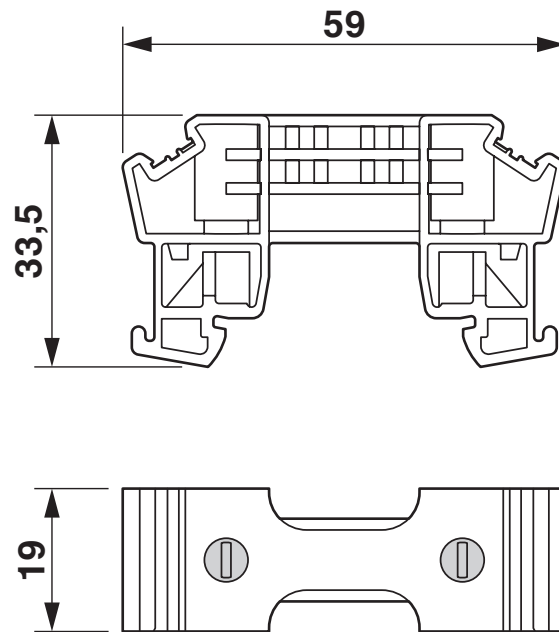
2713780

<https://www.phoenixcontact.com/us/products/2713780>



Drawings

Dimensional drawing



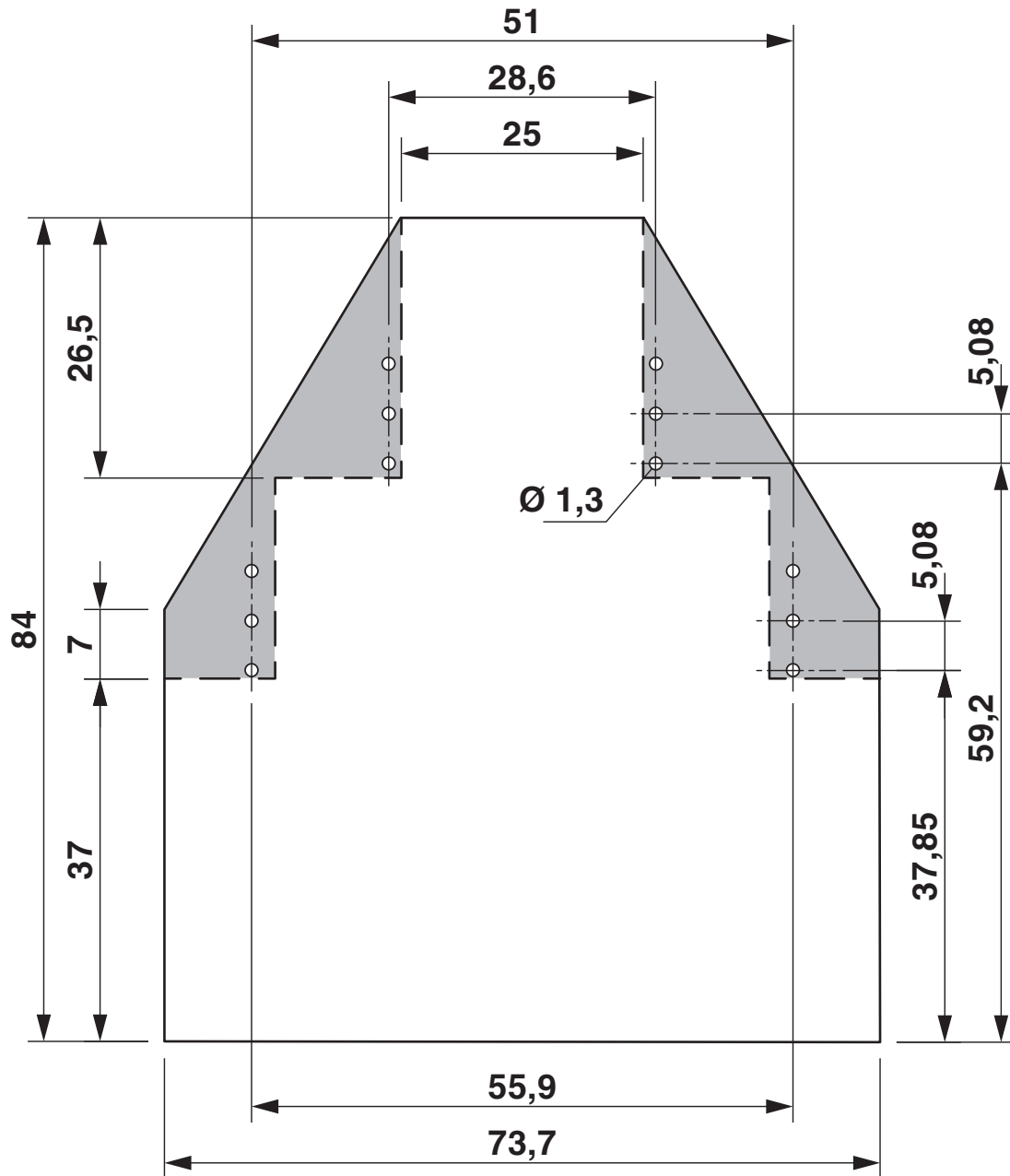
E/ME TBUS NS35 GY - End bracket

2713780

<https://www.phoenixcontact.com/us/products/2713780>



Dimensional drawing



E/ME TBUS NS35 GY - End bracket



2713780

<https://www.phoenixcontact.com/us/products/2713780>

Approvals

To download certificates, visit the product detail page: <https://www.phoenixcontact.com/us/products/2713780>



UL Recognized

Approval ID: E240868

E/ME TBUS NS35 GY - End bracket



2713780

<https://www.phoenixcontact.com/us/products/2713780>

Classifications

ECLASS

ECLASS-13.0	27250302
ECLASS-15.0	27250302

ETIM

ETIM 10.0	EC001041
-----------	----------

UNSPSC

UNSPSC 21.0	39121400
-------------	----------

E/ME TBUS NS35 GY - End bracket



2713780

<https://www.phoenixcontact.com/us/products/2713780>

Environmental product compliance

EU RoHS

Fulfills EU RoHS substance requirements	Yes, No exemptions
---	--------------------

China RoHS

Environment friendly use period (EFUP)	EFUP-E
	No hazardous substances above the limits

EU REACH SVHC

REACH candidate substance (CAS No.)	No substance above 0.1 wt%
-------------------------------------	----------------------------

EF3.1 Climate Change

CO2e kg	0.103 kg CO2e
---------	---------------

Phoenix Contact 2026 © - all rights reserved
<https://www.phoenixcontact.com>

Phoenix Contact USA
586 Fulling Mill Road
Middletown, PA 17057, United States
(+717) 944-1300
info@phoenixcon.com