

MSTBO 2,5/ 3-6 ST SET KMGY - Connector set



2713748

<https://www.phoenixcontact.com/us/products/2713748>

Please be informed that the data shown in this PDF document is generated from our online catalog. Please find the complete data in the user documentation. Our general terms of use for downloads are valid.

Kit consisting of COMBICON header and screw connectors for 6x3 positions (18-pos.), color:
Light gray



Commercial data

Item number	2713748
Packing unit	1 pc
Minimum order quantity	1 pc
Sales key	AC08
Product key	ACHADB
GTIN	4017918914486
Weight per piece (including packing)	42.3 g
Weight per piece (excluding packing)	39.94 g
Customs tariff number	85366930
Country of origin	DE

MSTBO 2,5/ 3-6 ST SET KMGY - Connector set



2713748

<https://www.phoenixcontact.com/us/products/2713748>

Set consists of

MSTBO 2,5/ 3-G1L KMGY - PCB header

2853750

<https://www.phoenixcontact.com/us/products/2853750>



PCB headers, nominal cross section: 2.5 mm², color: light gray, nominal current: 12 A, rated voltage (III/2): 320 V, contact surface: Sn, contact connection type: Pin, number of potentials: 3, number of rows: 1, number of positions: 3, number of connections: 3, product range: MSTBO 2,5/..-G1L, pitch: 5 mm, mounting: Wave soldering, pin layout: Linear pinning, solder pin [P]: 3.5 mm, number of solder pins per potential: 1, Pin connector pattern alignment: Orthogonal, locking: without, type of packaging: packed in cardboard, Product with pin output on left side

MSTBO 2,5/ 3-G1R KMGY - PCB header

2853763

<https://www.phoenixcontact.com/us/products/2853763>



PCB headers, nominal cross section: 2.5 mm², color: light gray, nominal current: 12 A, rated voltage (III/2): 320 V, contact surface: Sn, contact connection type: Pin, number of potentials: 3, number of rows: 1, number of positions: 3, number of connections: 3, product range: MSTBO 2,5/..-G1R, pitch: 5 mm, mounting: Wave soldering, pin layout: Linear pinning, solder pin [P]: 3.5 mm, number of solder pins per potential: 1, Pin connector pattern alignment: Orthogonal, locking: without, type of packaging: packed in cardboard, Product with pin output on right side

MSTBO 2,5/ 3-6 ST SET KMGY - Connector set



2713748

<https://www.phoenixcontact.com/us/products/2713748>

MSTBT 2,5/ 3-ST KMGY - PCB connector

1971947

<https://www.phoenixcontact.com/us/products/1971947>



PCB connector, nominal cross section: 2.5 mm², color: light gray, nominal current: 12 A, rated voltage (III/2): 320 V, contact surface: Sn, contact connection type: Socket, number of potentials: 3, number of rows: 1, number of positions: 3, number of connections: 3, product range: MSTBT 2,5/..-ST, pitch: 5 mm, connection method: Screw connection with tension sleeve, screw head form: L Slotted, conductor/PCB connection direction: 0 °, pin layout: Linear pinning, locking clip: - Locking clip, plug-in system: COMBICON MSTB 2,5, locking: without, mounting method: without, type of packaging: packed in cardboard

MSTBO 2,5/ 3-6 ST SET KMGY - Connector set



2713748

<https://www.phoenixcontact.com/us/products/2713748>

Technical data

Product properties

Product type	Connector set
Number of positions	3
Pitch	5 mm
Mounting type	without
Pin layout	Linear pinning

Electrical properties

Rated voltage (II/2)	400 V
Rated voltage (III/2)	320 V
Rated surge voltage (II/2)	4 kV
Rated surge voltage (III/2)	4 kV
Rated surge voltage (III/3)	4 kV

Dimensions

Pitch	5 mm
-------	------

Material specifications

Color (Housing)	light gray (RAL 7035)
Insulating material	PA
Contact surface material	Sn

Mounting

Mounting type	Soldering
Pin layout	Linear pinning

MSTBO 2,5/ 3-6 ST SET KMGY - Connector set

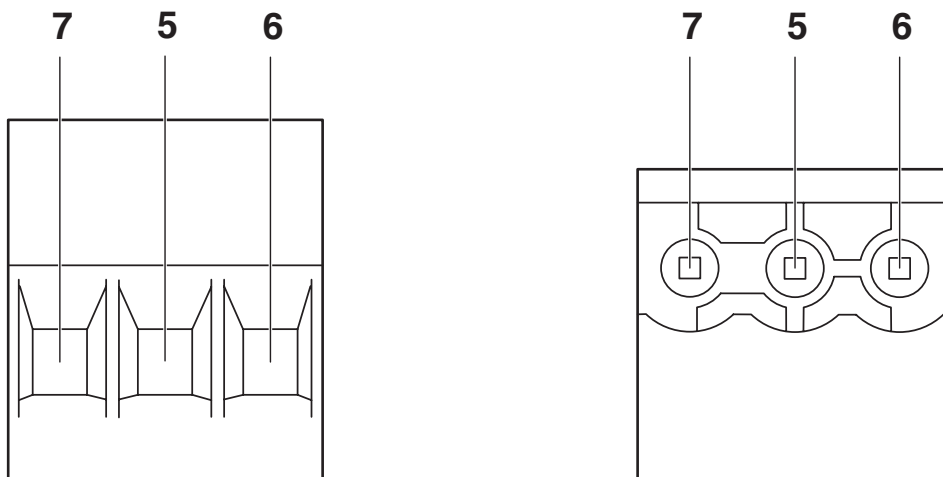


2713748

<https://www.phoenixcontact.com/us/products/2713748>

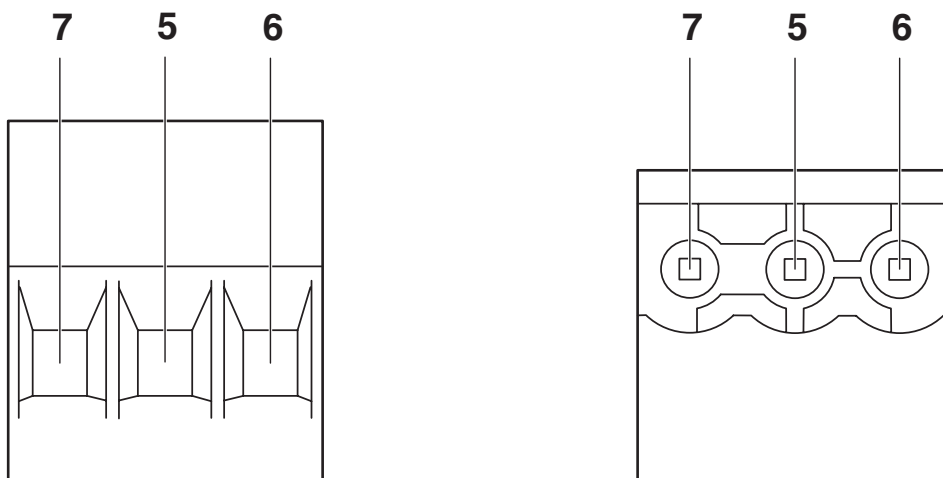
Drawings

Schematic diagram



Pin assignment right

Schematic diagram



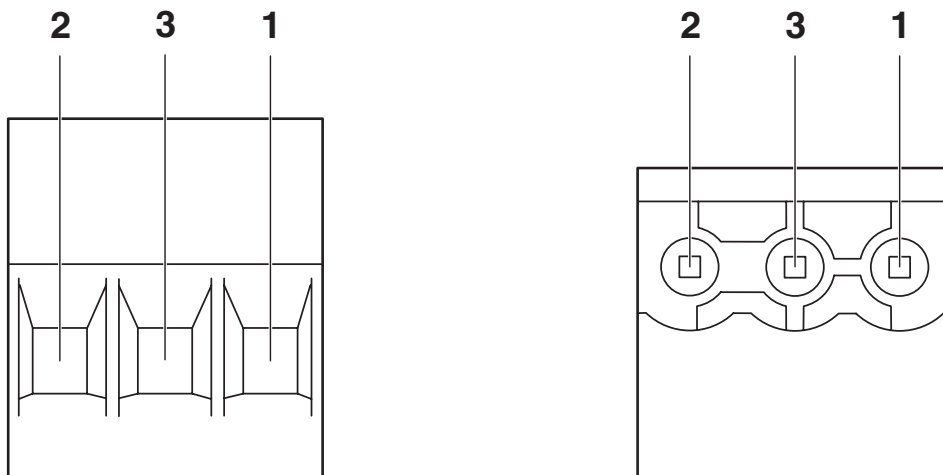
Pin assignment right

MSTBO 2,5/ 3-6 ST SET KMGY - Connector set

2713748

<https://www.phoenixcontact.com/us/products/2713748>

Schematic diagram



Pin assignment left

MSTBO 2,5/ 3-6 ST SET KMGY - Connector set



2713748

<https://www.phoenixcontact.com/us/products/2713748>

Classifications

ECLASS

ECLASS-13.0	27460201
ECLASS-15.0	27460201

ETIM

ETIM 10.0	EC002637
-----------	----------

UNSPSC

UNSPSC 21.0	39121400
-------------	----------

MSTBO 2,5/ 3-6 ST SET KMGY - Connector set



2713748

<https://www.phoenixcontact.com/us/products/2713748>

Environmental product compliance

EU RoHS

Fulfills EU RoHS substance requirements	Yes, No exemptions
---	--------------------

China RoHS

Environment friendly use period (EFUP)	EFUP-50
	An article-related China RoHS declaration table can be found in the download area for the respective article under "Manufacturer declaration". For all articles with EFUP-E, no China RoHS declaration table issued and required.

EU REACH SVHC

REACH candidate substance (CAS No.)	No substance above 0.1 wt%
-------------------------------------	----------------------------

Phoenix Contact 2026 © - all rights reserved

<https://www.phoenixcontact.com>

Phoenix Contact USA
586 Fulling Mill Road
Middletown, PA 17057, United States
(+717) 944-1300
info@phoenixcon.com