

STTCO-LG 2,5/4 PE GY - Component terminal block



2713159

<https://www.phoenixcontact.com/us/products/2713159>

Please be informed that the data shown in this PDF document is generated from our online catalog. Please find the complete data in the user documentation. Our general terms of use for downloads are valid.



Housing fully equipped, for maximum no. of components, with additional PE contact, 4-pos., color: Gray

The figure shows the version STTCO-LG 2,5/5 MT GY with side cover D-STTCO 2,5 GY

Commercial data

Item number	2713159
Packing unit	50 pc
Minimum order quantity	50 pc
Sales key	AC11
Product key	ACHCDA
GTIN	4017918952617
Weight per piece (including packing)	16.19 g
Weight per piece (excluding packing)	16.19 g
Customs tariff number	85369010
Country of origin	DE

STTCO-LG 2,5/4 PE GY - Component terminal block



2713159

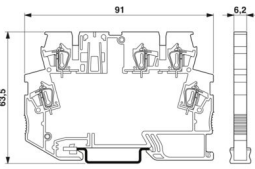
<https://www.phoenixcontact.com/us/products/2713159>

Technical data

Product properties

Product type	Component terminal block
Number of positions	4

Dimensions

Dimensional drawing	
Width	8.2 mm

Material specifications

Color (Housing)	gray (RAL 7042)
Flammability rating according to UL 94	V2

STTCO-LG 2,5/4 PE GY - Component terminal block

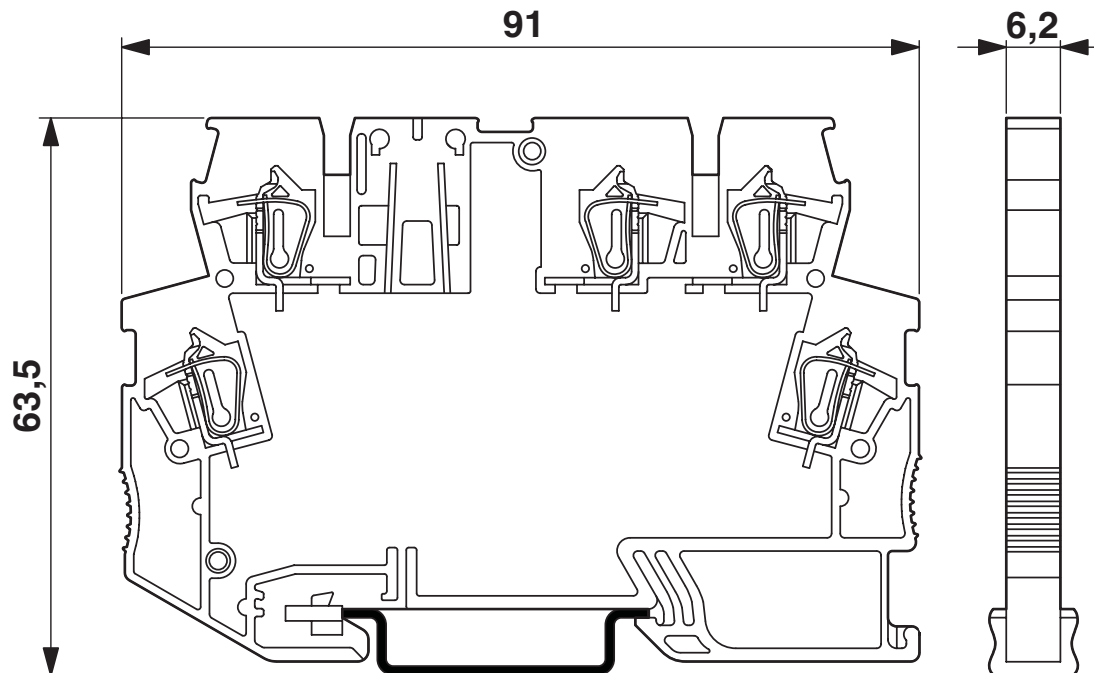
2713159

<https://www.phoenixcontact.com/us/products/2713159>



Drawings

Dimensional drawing



STTCO-LG 2,5/4 PE GY - Component terminal block



2713159

<https://www.phoenixcontact.com/us/products/2713159>

Classifications

ECLASS

ECLASS-13.0	27250101
ECLASS-15.0	27250101

ETIM

ETIM 10.0	EC000897
-----------	----------

UNSPSC

UNSPSC 21.0	39121400
-------------	----------

STTCO-LG 2,5/4 PE GY - Component terminal block



2713159

<https://www.phoenixcontact.com/us/products/2713159>

Environmental product compliance

EU RoHS

Fulfills EU RoHS substance requirements	Yes, No exemptions
---	--------------------

China RoHS

Environment friendly use period (EFUP)	EFUP-E
	No hazardous substances above the limits

EU REACH SVHC

REACH candidate substance (CAS No.)	No substance above 0.1 wt%
-------------------------------------	----------------------------

EF3.1 Climate Change

CO2e kg	0.505 kg CO2e
---------	---------------

Phoenix Contact 2026 © - all rights reserved
<https://www.phoenixcontact.com>

Phoenix Contact USA
586 Fulling Mill Road
Middletown, PA 17057, United States
(+717) 944-1300
info@phoenixcon.com