

EG 22,5-AE/ABS BK - Electronics housing

2709419

<https://www.phoenixcontact.com/us/products/2709419>

Please be informed that the data shown in this PDF document is generated from our online catalog. Please find the complete data in the user documentation. Our general terms of use for downloads are valid.

Housing cover, for connection on one side



The figure shows the fully mounted version of the electronic housing, in green

Commercial data

Item number	2709419
Packing unit	1 pc
Note	Made to order (non-returnable)
Sales key	AC11
Product key	ACHCGA
GTIN	4017918857943
Weight per piece (including packing)	8.54 g
Weight per piece (excluding packing)	8.1 g
Customs tariff number	85369010
Country of origin	DE

2709419

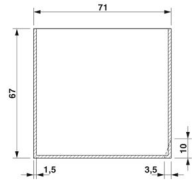
<https://www.phoenixcontact.com/us/products/2709419>

Technical data

Product properties

Housing type	Component housing
Number of positions	8

Dimensions

Dimensional drawing	
Width	22.5 mm
Length	75 mm

Material specifications

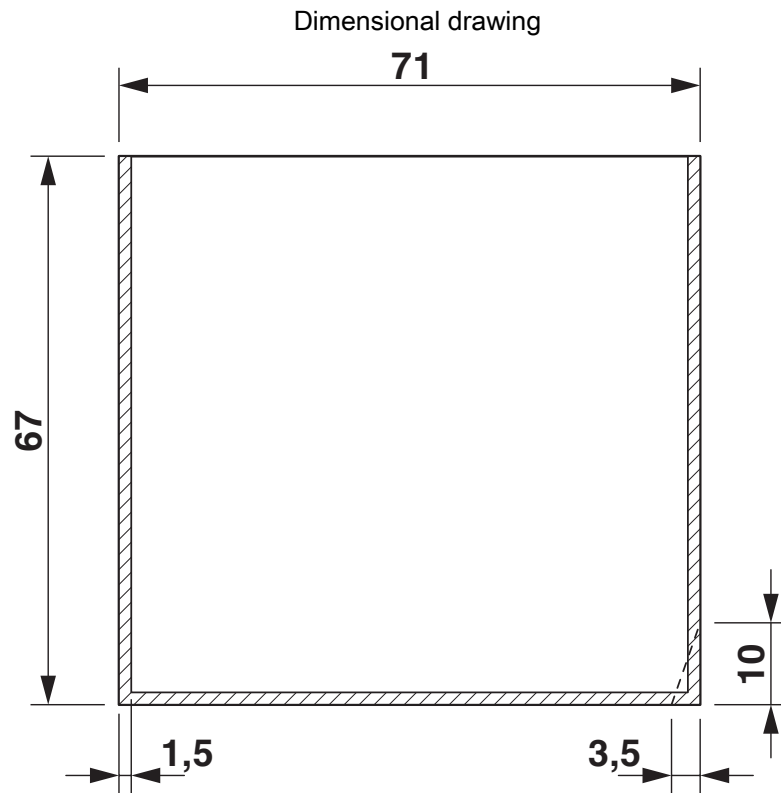
Color	black (RAL 9005)
Flammability rating according to UL 94	HB

Environmental and real-life conditions

Ambient conditions

Ambient temperature (operation)	80 °C
---------------------------------	-------

Drawings



valid for PCB 7, see explosion drawing

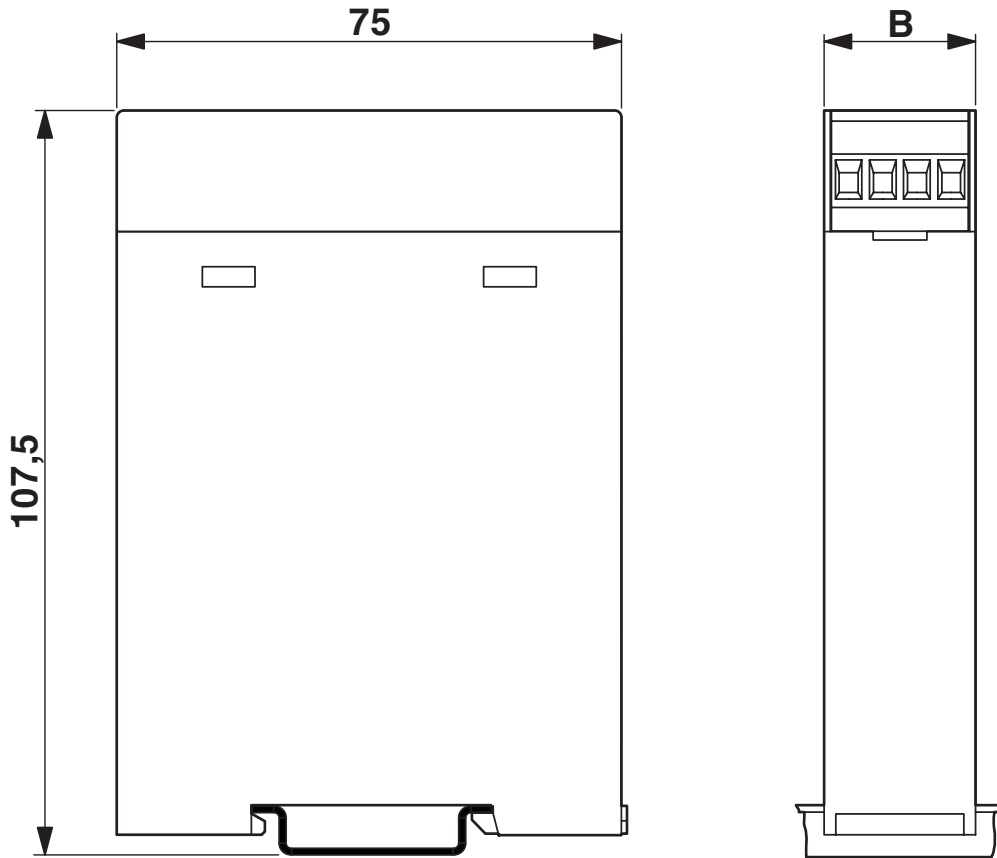
EG 22,5-AE/ABS BK - Electronics housing

2709419

<https://www.phoenixcontact.com/us/products/2709419>



Dimensional drawing





Component mounting side, if the double-level upper part is used

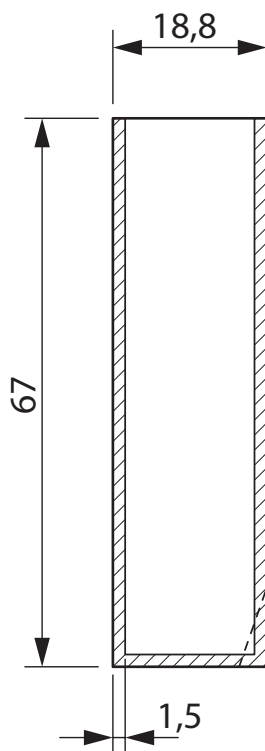
EG 22,5-AE/ABS BK - Electronics housing

2709419

<https://www.phoenixcontact.com/us/products/2709419>



Dimensional drawing



valid for PCB 1, see explosion drawing

EG 22,5-AE/ABS BK - Electronics housing

2709419

<https://www.phoenixcontact.com/us/products/2709419>

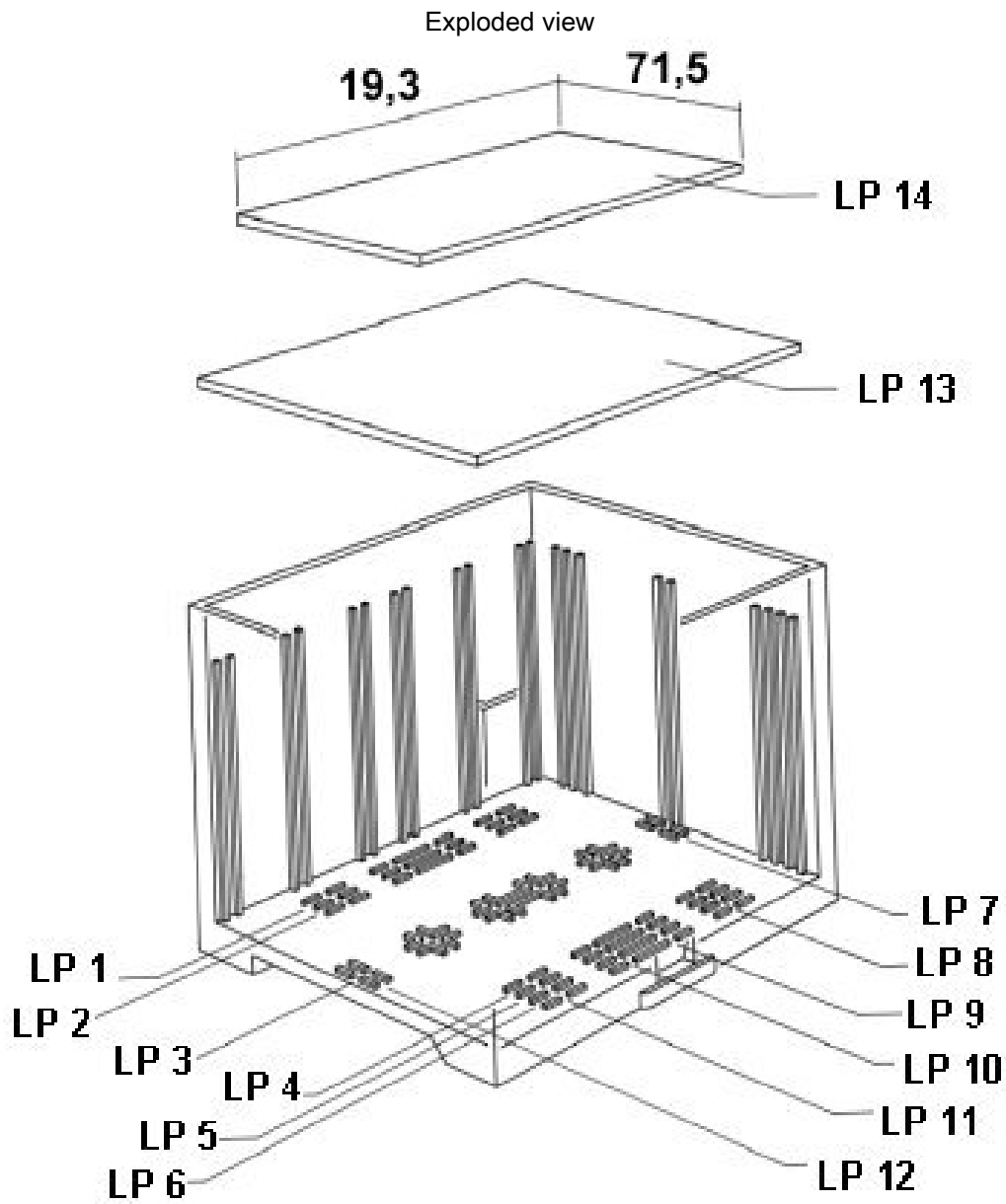


valid for PCB 14

EG 22,5-AE/ABS BK - Electronics housing

2709419

<https://www.phoenixcontact.com/us/products/2709419>



valid for PCB 13

2709419

<https://www.phoenixcontact.com/us/products/2709419>

Environmental product compliance

EU RoHS

Fulfills EU RoHS substance requirements	Yes, No exemptions
-----------------------------------------	--------------------

China RoHS

Environment friendly use period (EFUP)	EFUP-E
	No hazardous substances above the limits

EU REACH SVHC

REACH candidate substance (CAS No.)	No substance above 0.1 wt%
-------------------------------------	----------------------------

Phoenix Contact 2026 © - all rights reserved
<https://www.phoenixcontact.com>

Phoenix Contact USA
586 Fulling Mill Road
Middletown, PA 17057, United States
(+717) 944-1300
info@phoenixcon.com