

# EG 22,5-G/ABS BK - PCB header

2709406

<https://www.phoenixcontact.com/us/products/2709406>

Please be informed that the data shown in this PDF document is generated from our online catalog. Please find the complete data in the user documentation. Our general terms of use for downloads are valid.

Lower housing part, with snap-on foot



The figure shows the fully mounted version of the electronic housing, in green

## Commercial data

|                                      |                                |
|--------------------------------------|--------------------------------|
| Item number                          | 2709406                        |
| Packing unit                         | 1 pc                           |
| Note                                 | Made to order (non-returnable) |
| Sales key                            | AC11                           |
| Product key                          | ACHCGA                         |
| GTIN                                 | 4017918857882                  |
| Weight per piece (including packing) | 36.44 g                        |
| Weight per piece (excluding packing) | 27.356 g                       |
| Customs tariff number                | 85369010                       |
| Country of origin                    | DE                             |

2709406

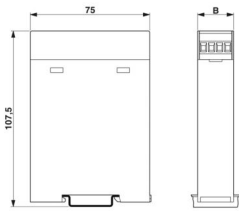
<https://www.phoenixcontact.com/us/products/2709406>

## Technical data

### Product properties

|                     |   |
|---------------------|---|
| Housing type        | Component housing   |
| Type                | Lower housing parts with test opening with side cover, housing cover necessary to complete the module |
| Number of positions | 8   |

### Dimensions

|                     |  |
|---------------------|--|
| Dimensional drawing |  |
| Width               | 22.5 mm  |
| Height NS 35/7,5    | 107.5 mm   |
| Depth               | 75 mm  |
| Length              | 75 mm  |

### Material specifications

|  |                               |
|--|-------------------------------|
| Color                                  | black (RAL 9005)              |
| Flammability rating according to UL 94 | HB                            |
| Housing material                       | Acryl butadiene styrene (ABS) |

### Environmental and real-life conditions

#### Ambient conditions

|                                 |                  |
|---------------------------------|------------------|
| Ambient temperature (operation) | -40 °C ... 80 °C |
|---------------------------------|------------------|

# EG 22,5-G/ABS BK - PCB header

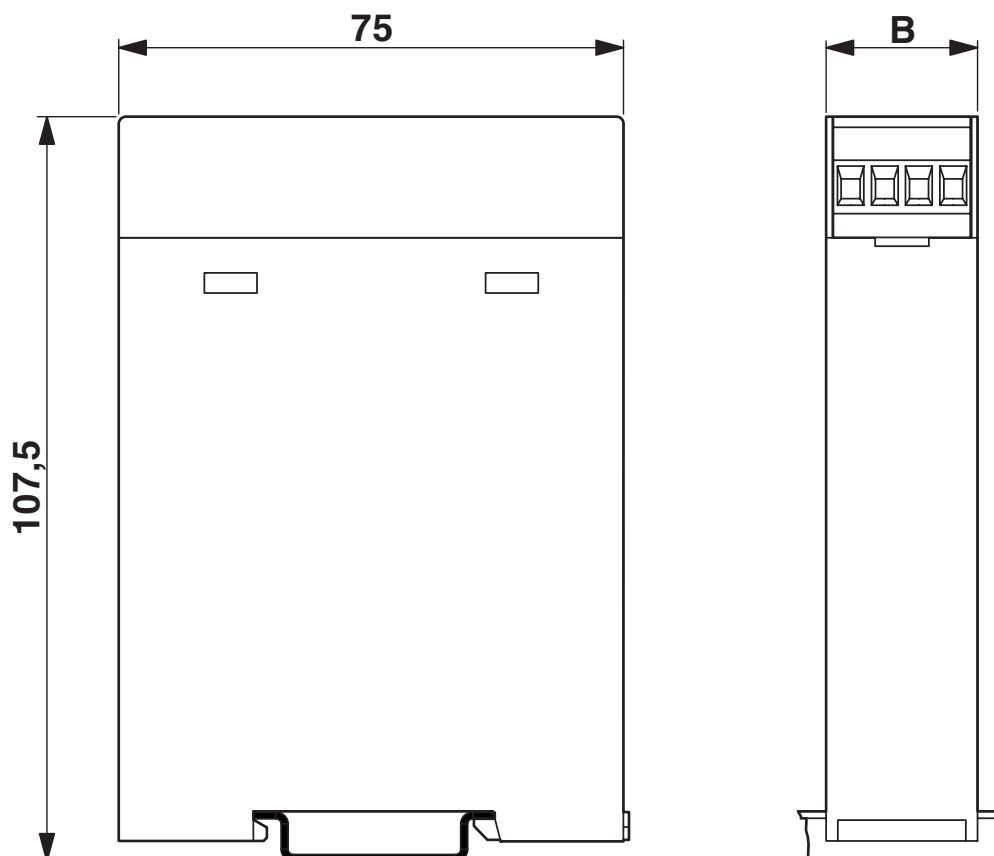
2709406

<https://www.phoenixcontact.com/us/products/2709406>



## Drawings

Dimensional drawing



# EG 22,5-G/ABS BK - PCB header



2709406

<https://www.phoenixcontact.com/us/products/2709406>



Component mounting side, if the double-level upper part is used

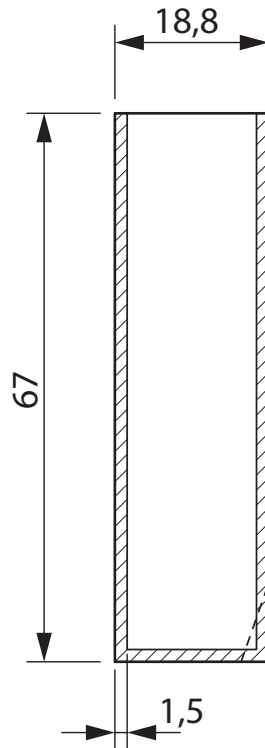
# EG 22,5-G/ABS BK - PCB header

2709406

<https://www.phoenixcontact.com/us/products/2709406>

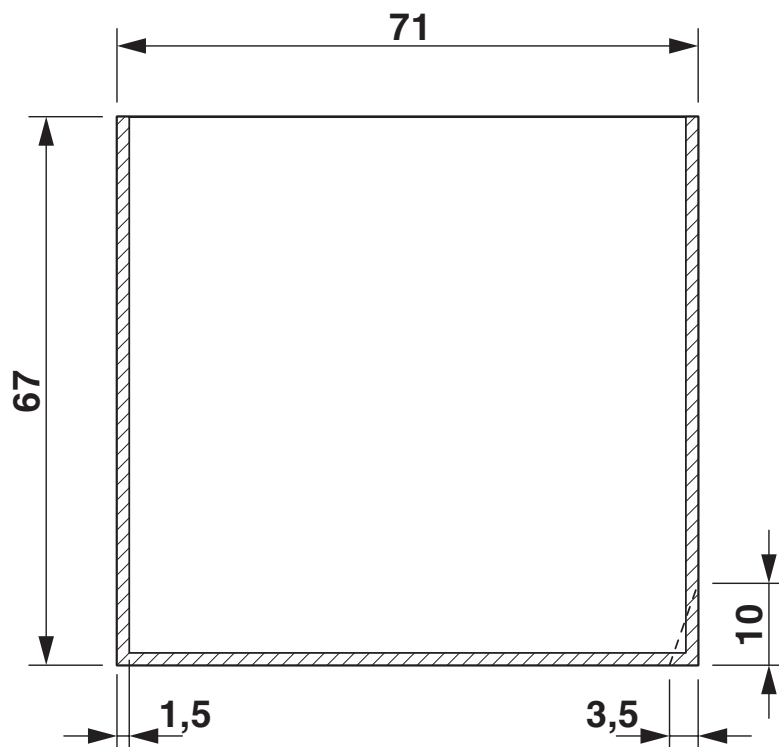


Dimensional drawing



valid for PCB 1, see explosion drawing

Dimensional drawing

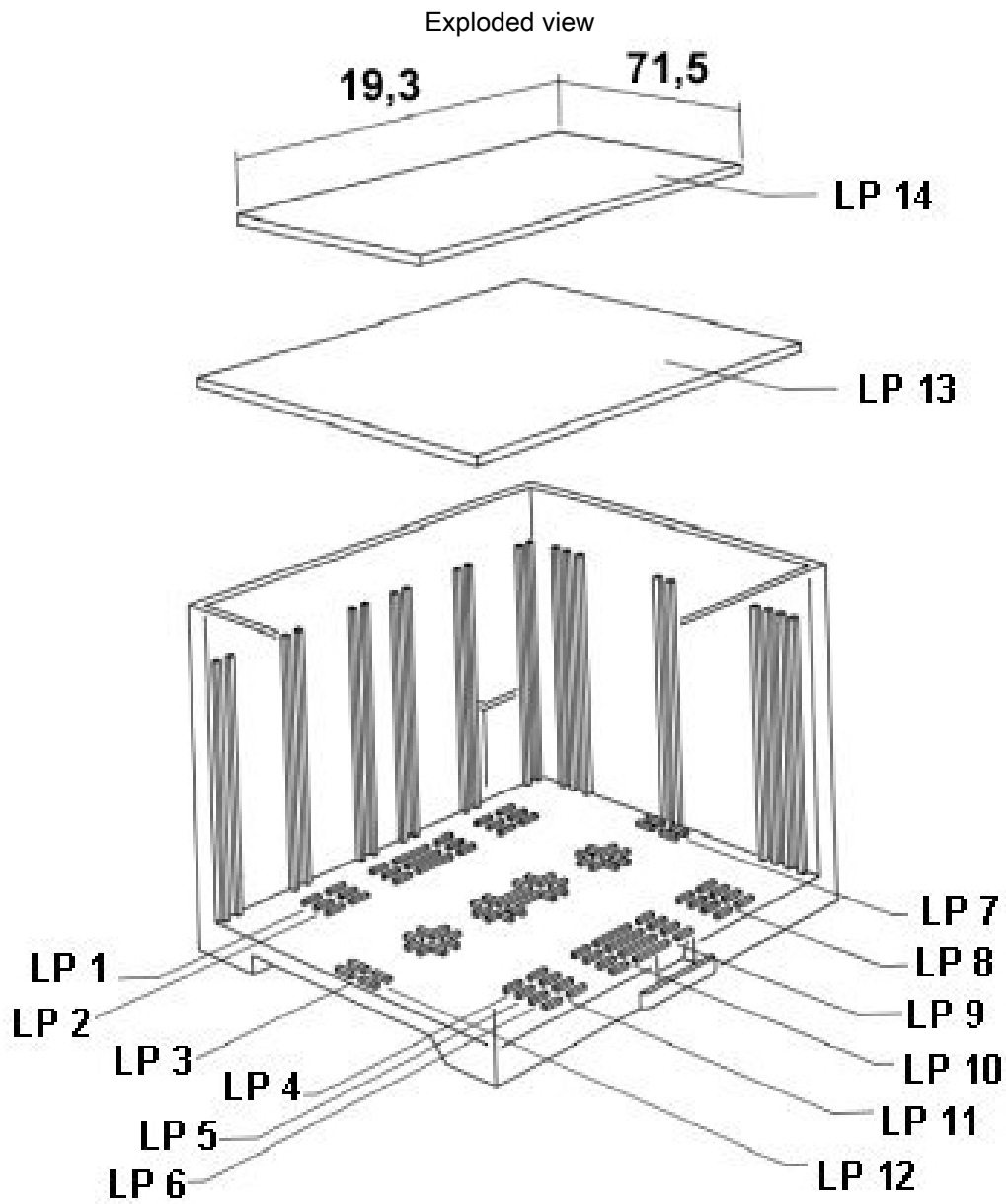


valid for PCB 7, see explosion drawing

# EG 22,5-G/ABS BK - PCB header

2709406

<https://www.phoenixcontact.com/us/products/2709406>



valid for PCB 13

# EG 22,5-G/ABS BK - PCB header

2709406

<https://www.phoenixcontact.com/us/products/2709406>



valid for PCB 14

# EG 22,5-G/ABS BK - PCB header



2709406

<https://www.phoenixcontact.com/us/products/2709406>

## Environmental product compliance

### EU RoHS

|   |                    |
|---|--------------------|
| Fulfills EU RoHS substance requirements | Yes, No exemptions |
|---|--------------------|

### China RoHS

|  |  |
|--|--|
| Environment friendly use period (EFUP) | EFUP-E                                   |
|  | No hazardous substances above the limits |

### EU REACH SVHC

|                                     |                            |
|-------------------------------------|----------------------------|
| REACH candidate substance (CAS No.) | No substance above 0.1 wt% |
|-------------------------------------|----------------------------|

Phoenix Contact 2026 © - all rights reserved  
<https://www.phoenixcontact.com>

Phoenix Contact USA  
586 Fulling Mill Road  
Middletown, PA 17057, United States  
(+717) 944-1300  
[info@phoenixcon.com](mailto:info@phoenixcon.com)