

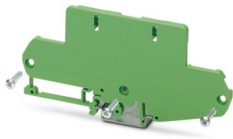
# UM108 N-SEFE/R-A73 - Lateral element

2709354

<https://www.phoenixcontact.com/us/products/2709354>

Please be informed that the data shown in this PDF document is generated from our online catalog. Please find the complete data in the user documentation. Our general terms of use for downloads are valid.

Side element, with foot, low-profile version, right-hand, for 73 mm wide U-shaped cover.



## Commercial data

Item number	2709354
Packing unit	10 pc
Minimum order quantity	10 pc
Sales key	AC13
Product key	ACHDBB
GTIN	4017918904128
Weight per piece (including packing)	13.8 g
Weight per piece (excluding packing)	13.62 g
Customs tariff number	39269097
Country of origin	PL

# UM108 N-SEFE/R-A73 - Lateral element

2709354

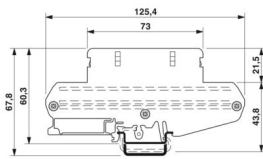
<https://www.phoenixcontact.com/us/products/2709354>

## Technical data

### Product properties

Product type	Panel mounting base side part
Housing type	Press-drawn section housings
Housing series	UM
Product family	UM108

### Dimensions

Dimensional drawing	
Depth	125 mm

### Material specifications

Color (Side element)	green (RAL 6021)
Material Lateral element	PA
Flammability rating according to UL 94	V0

### Environmental and real-life conditions

#### Ambient conditions

Ambient temperature (operation)	-40 °C ... 105 °C (depending on power dissipation)
---------------------------------	--

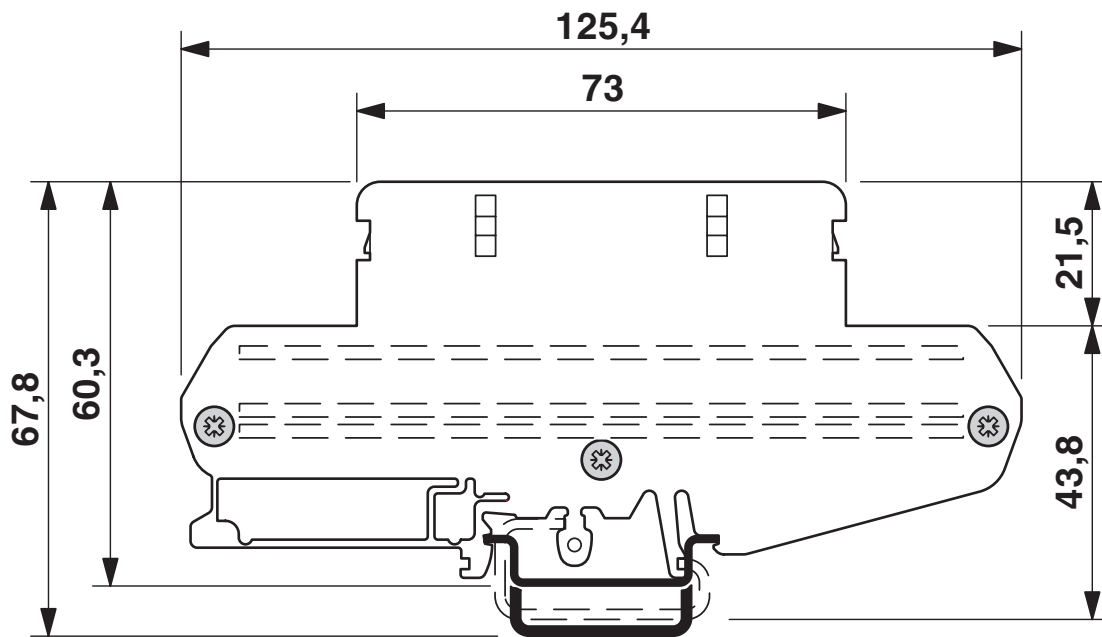
# UM108 N-SEFE/R-A73 - Lateral element

2709354

<https://www.phoenixcontact.com/us/products/2709354>

## Drawings

Dimensional drawing



# UM108 N-SEFE/R-A73 - Lateral element



2709354

<https://www.phoenixcontact.com/us/products/2709354>

## Approvals

To download certificates, visit the product detail page: <https://www.phoenixcontact.com/us/products/2709354>



**UL Recognized**

Approval ID: E240868

# UM108 N-SEFE/R-A73 - Lateral element



2709354

<https://www.phoenixcontact.com/us/products/2709354>

## Classifications

### ECLASS

ECLASS-13.0	27190602
ECLASS-15.0	27190602

### ETIM

ETIM 10.0	EC002779
-----------	----------

### UNSPSC

UNSPSC 21.0	31261500
-------------	----------

# UM108 N-SEFE/R-A73 - Lateral element



2709354

<https://www.phoenixcontact.com/us/products/2709354>

## Environmental product compliance

### EU RoHS

Fulfills EU RoHS substance requirements	Yes, No exemptions
---	--------------------

### China RoHS

Environment friendly use period (EFUP)	EFUP-E
	No hazardous substances above the limits

### EU REACH SVHC

REACH candidate substance (CAS No.)	No substance above 0.1 wt%
-------------------------------------	----------------------------

### EF3.1 Climate Change

CO2e kg	0.081 kg CO2e
---------	---------------

Phoenix Contact 2026 © - all rights reserved  
<https://www.phoenixcontact.com>

Phoenix Contact USA  
586 Fulling Mill Road  
Middletown, PA 17057, United States  
(+717) 944-1300  
[info@phoenixcon.com](mailto:info@phoenixcon.com)