

# PSI-MOS-PROFIB/FO1300 T - FO converters



2708892

<https://www.phoenixcontact.com/us/products/2708892>

Please be informed that the data shown in this PDF document is generated from our online catalog. Please find the complete data in the user documentation. Our general terms of use for downloads are valid.



Fiber optic converter with integrated optical diagnostics, alarm contact, for PROFIBUS up to 12 Mbps, T-coupler with two fiber optic interfaces (SC-Duplex), 1300 nm, for fiberglass cable

## Product description

The **PSI-MOS-PROFIB/FO...** devices convert copper-based PROFIBUS interfaces to fiber optics. The integrated optical diagnostics allow permanent monitoring of the FO paths during installation and also during operation. The floating switch contact is activated when the signal output on the fiber optic paths drops to a critical level. The **PSI-MOS-PROFIB/FO...** T T-couplers allow the interface to be converted for two **FO cables**. They can be used to create linear structures and ring structures for increased system availability.

## Your advantages

- Supply voltage and data signals routed through the DIN rail connectors
- Can be combined with the PSI copper repeater in a modular way using DIN rail connectors
- Connections can be plugged in via a COMBICON screw terminal block
- Automatic data rate detection or fixed data rate setting via DIP switches
- Redundant power supply possible by means of optional system power supply unit
- High-quality electrical isolation between all interfaces (PROFIBUS // fiber optic ports // power supply // DIN rail connector)
- Approved for use in zone 2
- Integrated optical diagnostics for continuous monitoring of FO paths
- Floating switch contact for advance warning of critical FO paths
- Bit retiming for any cascading depth
- Suitable for all data rates up to 12 Mbps



## Commercial data

# PSI-MOS-PROFIB/FO1300 T - FO converters



2708892

<https://www.phoenixcontact.com/us/products/2708892>

Item number	2708892
Packing unit	1 pc
Minimum order quantity	1 pc
Sales key	DN06
Product key	DNC211
GTIN	4046356174053
Weight per piece (including packing)	242.76 g
Weight per piece (excluding packing)	177.58 g
Customs tariff number	85176200
Country of origin	DE

## Technical data

### Notes

#### Note on application

Note on application	Only for industrial use
---------------------	-------------------------

#### Utilization restriction

CCCex note	Use in potentially explosive areas is not permitted in China.
------------	---

### Product properties

Product type	Media converter
Product family	PSI-MOS
MTTF	614 Years (SN 29500 standard, temperature 25°C, operating cycle 21%)
	272 Years (SN 29500 standard, temperature 40°C, operating cycle 34.25%)
	113 Years (SN 29500 standard, temperature 40°C, operating cycle 100%)
MTBF	307 Years (Telcordia standard, 25°C temperature, 21% operating cycle (5 days a week, 8 hours a day))
	64 Years (Telcordia standard, 40°C temperature, 34.25% operating cycle (5 days a week, 12 hours a day))

### Electrical properties

Electrical isolation	VCC // RS-485
Maximum power dissipation for nominal condition	2.04 W
Test voltage data interface/power supply	1.5 kV <sub>rms</sub> (50 Hz, 1 min.)

#### Supply

Supply voltage range	18 V DC ... 32 V DC (via pluggable COMBICON screw terminal block)
Nominal supply voltage	24 V DC
Typical current consumption	85 mA (24 V DC)
Max. current consumption	145 mA
	≤ 2 A (For operation in a joining station, via the DIN rail connector)

### Output data

#### Switching

Output name	Relay output
Output description	Alarm output
Number of outputs	1
Maximum switching voltage	60 V DC (Resistive Load, General Load)
	30 V AC (Resistive load)
	42 V AC (peak, resistive load)

# PSI-MOS-PROFIB/FO1300 T - FO converters



2708892

<https://www.phoenixcontact.com/us/products/2708892>

Limiting continuous current	0.46 A
-----------------------------	--------

## Connection data

### Supply

Connection method	COMBICON plug-in screw terminal block
Single conductor/terminal point, rigid	0.2 mm <sup>2</sup> ... 2.5 mm <sup>2</sup>
Single-wire/terminal point, flexible	0.2 mm <sup>2</sup> ... 2.5 mm <sup>2</sup>
Conductor cross-section, flexible [AWG]	24 ... 14
Stripping length	7.00 mm
Tightening torque	0.56 Nm ... 0.79 Nm

## Interfaces

Bit distortion, input	± 35 % (permitted)
Bit distortion, output	< 6.25 %
Bit delay	< 1 bit (DIP 7 = OFF, standard operation) 11 bit (DIP 7 = ON, redundancy operation)
Signal	PROFIBUS

### Data: optical FO

No. of channels	2
Transmit capacity, minimum	-3.4 dBm (50/125 µm, multimode fiberglass) -4.7 dBm (62.5/125 µm, multimode fiberglass) -5.5 dBm (9/125 µm, singlemode fiberglass)
Transmission length incl. 3 dB system reserve	25 km (With F-G 50/125 0.7 dB/km at 1300 nm) 22 km (with F-G 62.5/125 0.8 dB/km at 1300 nm) 45 km (With F-E 9/125 0,4 dB/km at 1300 nm)
Transmission protocol	Protocol-transparent to the RS-485 interface
Connection method	SC duplex
Wavelength	1300 nm
Minimum receiver sensitivity	-25.5 dBm (Multi mode) -26.5 dBm (Singlemode)
Maximum receiver sensitivity	0 dBm
Transmission medium	Multi-mode fiberglass Single-mode fiberglass

### Data: PROFIBUS acc. to IEC 61158, RS-485 2-wire, half duplex, automatic control

Serial transmission speed	≤ 12 Mbps
Connection method	D-SUB-9 female connector
Tightening torque	0.4 Nm
Transmission length	≤ 1200 m (depending on the data rate, with shielded, twisted pair data cable)
Transmission medium	2-wire twisted pair, shielded
File format/coding	UART (11 Bit, NRZ)
Data direction switching	Automatic control
Output nominal voltage	5 V DC ±0.25 (50 mA)

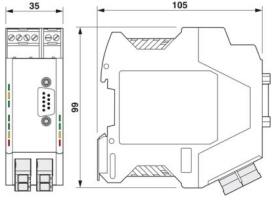
# PSI-MOS-PROFIB/FO1300 T - FO converters



2708892

<https://www.phoenixcontact.com/us/products/2708892>

## Dimensions

Dimensional drawing	
Width	35 mm
Height	105 mm
Depth	106 mm

## Material specifications

Color (Housing)	gray (RAL 7042)
Material (Housing)	PA 6.6-FR

## Cable/line

### FO cable

Fiber types	50/125 µm
	62.5/125 µm
	9/125 µm
	Fiberglass

## Mechanical tests

Free fall in accordance with IEC 60068-2-32	Free fall: 1 m
Vibration resistance in accordance with EN 60068-2-6/IEC 60068-2-6	: 5g, 10...150 Hz, 2.5 h, in XYZ direction
Shock in accordance with EN 60068-2-27/IEC 60068-2-27	: 15g, 11 ms period, half-sine shock pulse

## Environmental and real-life conditions

### Ambient conditions

Degree of protection	IP20
Ambient temperature (operation)	-20 °C ... 60 °C
Ambient temperature (storage/transport)	-40 °C ... 85 °C
Altitude	≤ 5000 m (For restrictions, see the manufacturer's declaration for altitude operation)
	≤ 2000 m (Hazardous locations)
Permissible humidity (operation)	30 % ... 95 % (non-condensing)

## Approvals

### CE

Certificate	CE-compliant
-------------	--------------

### ATEX

# PSI-MOS-PROFIB/FO1300 T - FO converters



2708892

<https://www.phoenixcontact.com/us/products/2708892>

Identification	Ⓜ II 3 G Ex ec IIC T4 Gc
Certificate	UL 21 ATEX 2550X
Note	Please follow the special installation instructions in the documentation!

## IECEX

Identification	Ex ec IIC T4 Gc
Certificate	IECEX ULD 21.0013X

## UL, USA/Canada

Identification	Class I, Zone 2, AEx ec IIC T4 Gc
	Ex ec IIC T4 Gc X
	Class I, Div. 2, Groups A, B, C, D

## KC approval for South Korea

Certificate	MSIP-REI-PCK-2708892
-------------	----------------------

## Corrosive gas test

Identification	ISA-S71.04-1985 G3 Harsh Group A
----------------	----------------------------------

## EMC data

Electromagnetic compatibility	Conformance with EMC directive 89/336/EC
Noise immunity	EN 61000-6-2:2005

## Noise emission

Standards/regulations	EN 55011
-----------------------	----------

## Electrostatic discharge

Standards/regulations	EN 61000-4-2
-----------------------	--------------

## Electrostatic discharge

Contact discharge	± 6 kV
Discharge in air	± 8 kV
Comments	Criterion B

## Electromagnetic HF field

Standards/regulations	EN 61000-4-3
-----------------------	--------------

## Electromagnetic HF field

Field intensity	10 V/m
Comments	Criterion A

## Fast transients (burst)

Standards/regulations	EN 61000-4-4
-----------------------	--------------

## Fast transients (burst)

Input	± 2 kV
Signal	± 2 kV
Comments	Criterion B

# PSI-MOS-PROFIB/FO1300 T - FO converters



2708892

<https://www.phoenixcontact.com/us/products/2708892>

## Surge current load (surge)

Standards/regulations	EN 61000-4-5
-----------------------	--------------

## Surge current load (surge)

Input	± 0.5 kV
Signal	± 1 kV
Comments	Criterion B

## Conducted interference

Standards/regulations	EN 61000-4-6
-----------------------	--------------

## Conducted interference

Comments	Criterion A
Voltage	10 V

## Emitted interference

Standards/regulations	EN 55011
Comments	Class A, industrial applications

## Criteria

Criterion A	Normal operating behavior within the specified limits.
Criterion B	Temporary impairment to operational behavior that is corrected by the device itself.

## Standards and regulations

Free from substances that could impair the application of coating	VDMA 24364:2018-05
---	--------------------

## Mounting

Mounting type	DIN rail mounting
---------------	-------------------

# PSI-MOS-PROFIB/FO1300 T - FO converters

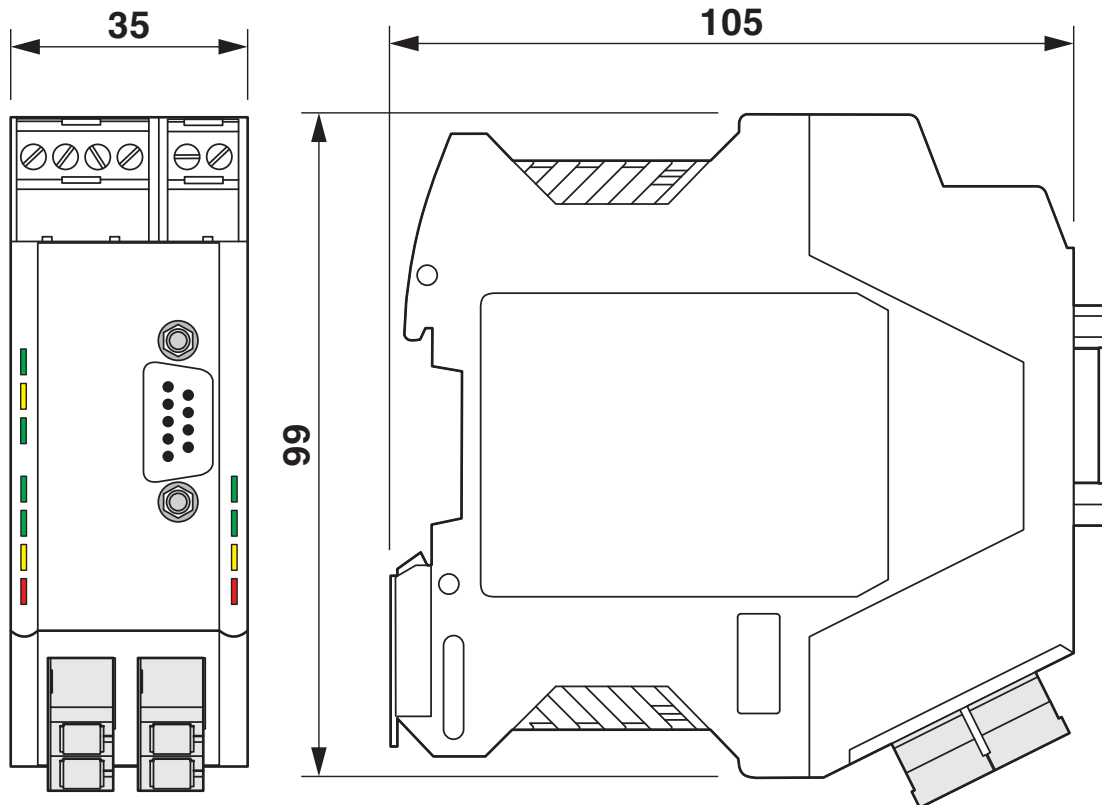


2708892

<https://www.phoenixcontact.com/us/products/2708892>

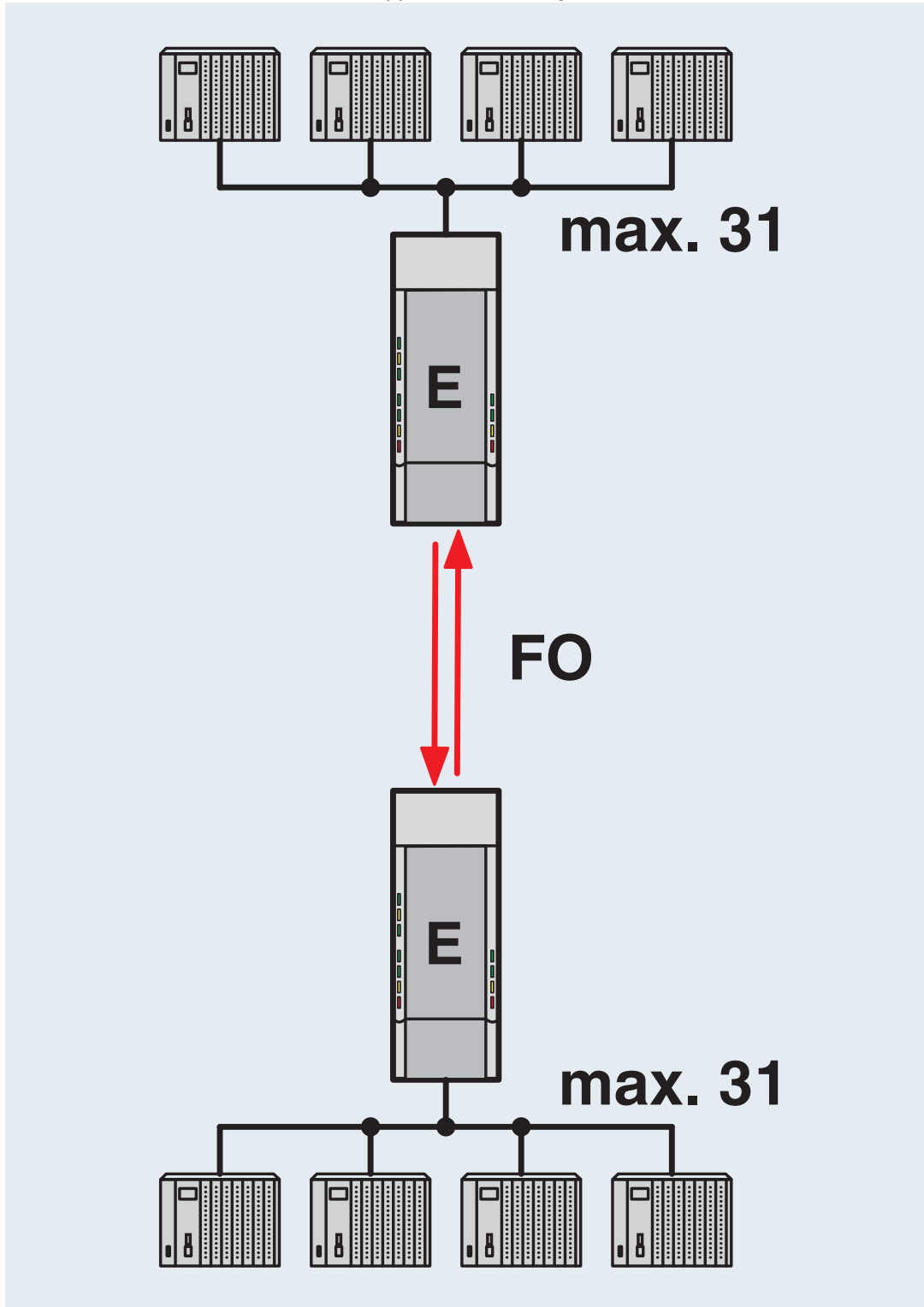
## Drawings

Dimensional drawing



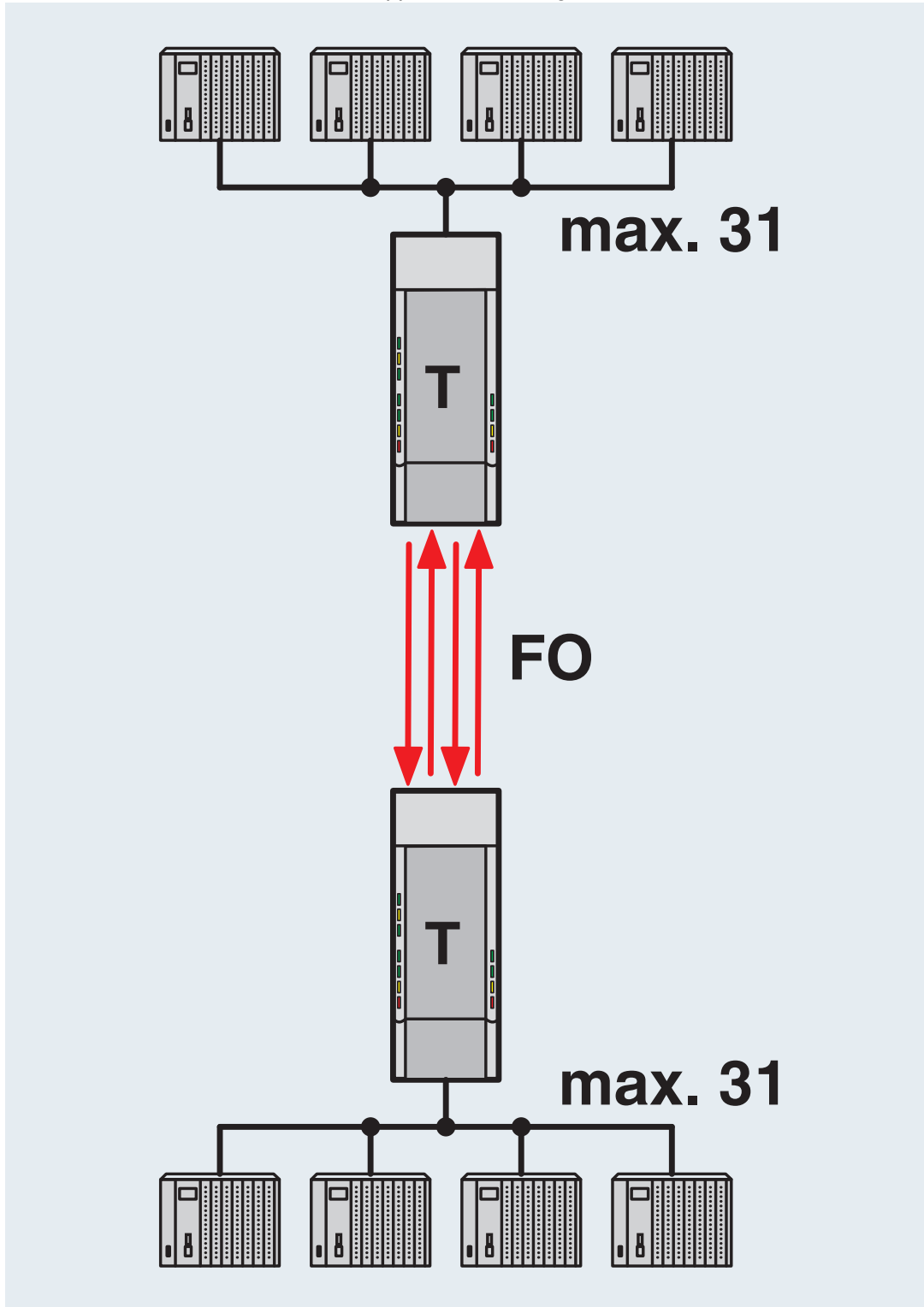
Housing dimensions

Application drawing



Point-to-point connection

Application drawing



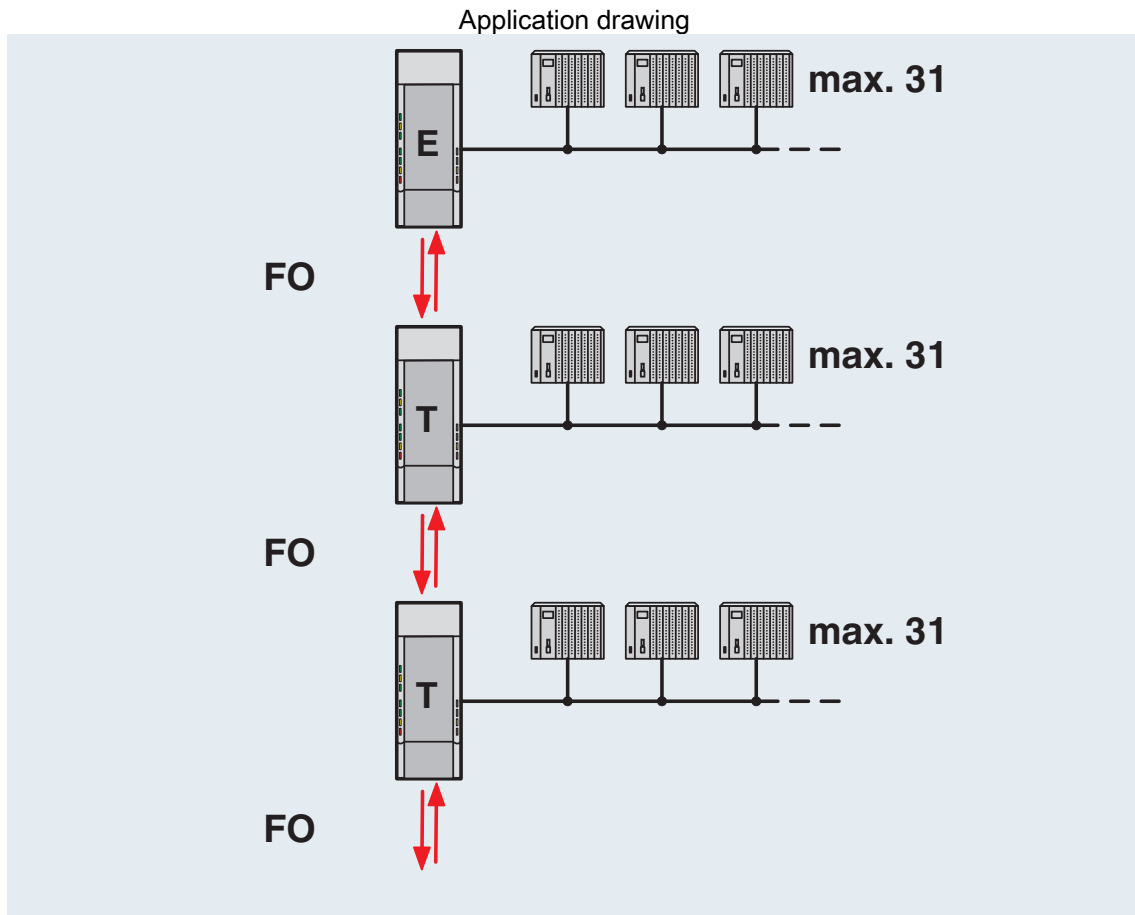
Redundant point-to-point connection

# PSI-MOS-PROFIB/FO1300 T - FO converters

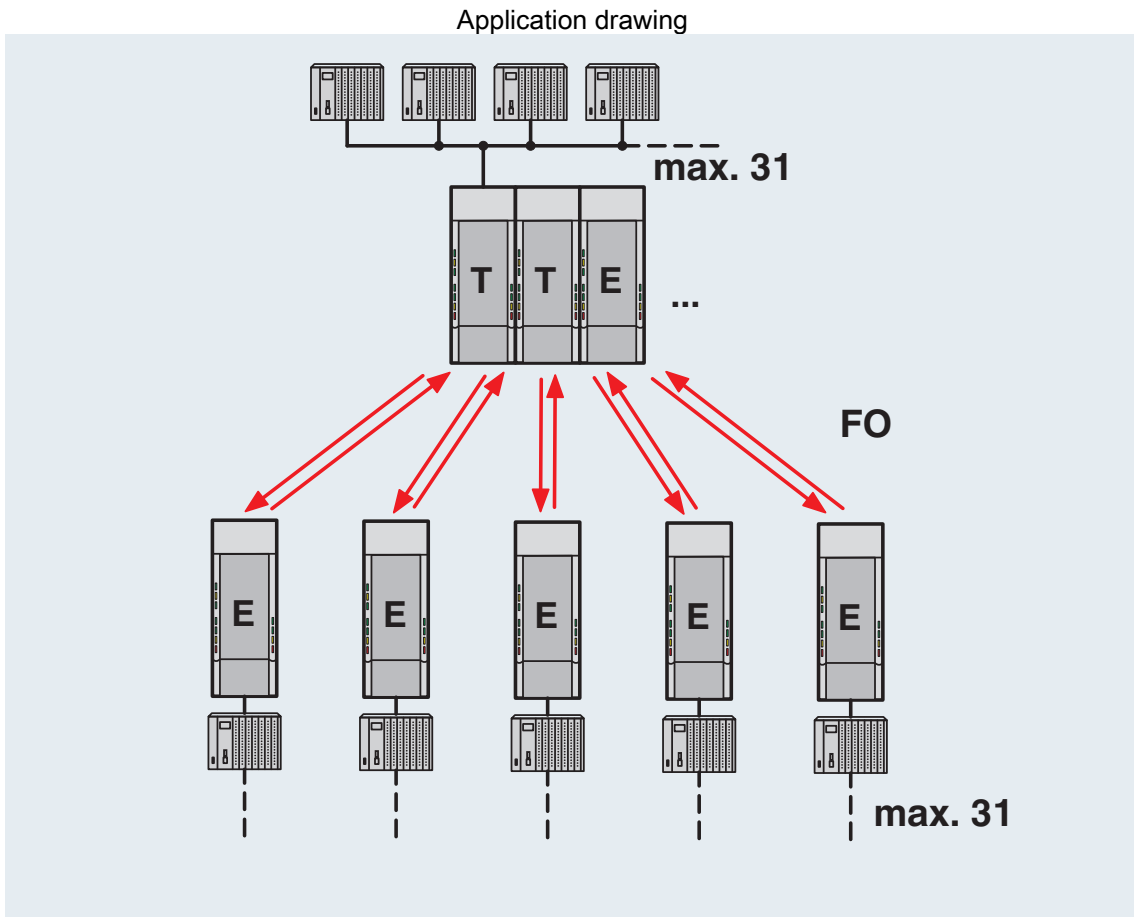


2708892

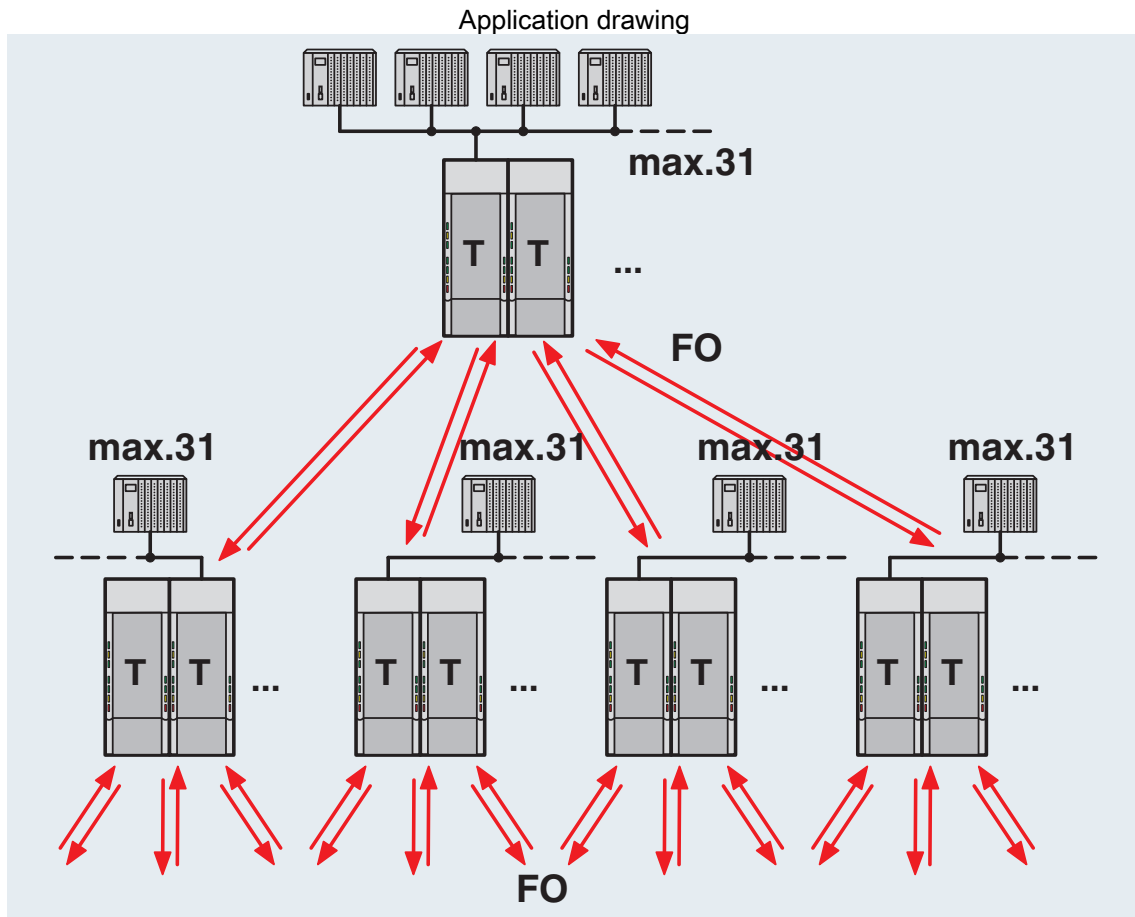
<https://www.phoenixcontact.com/us/products/2708892>



Line structure



Star structure



Tree structure

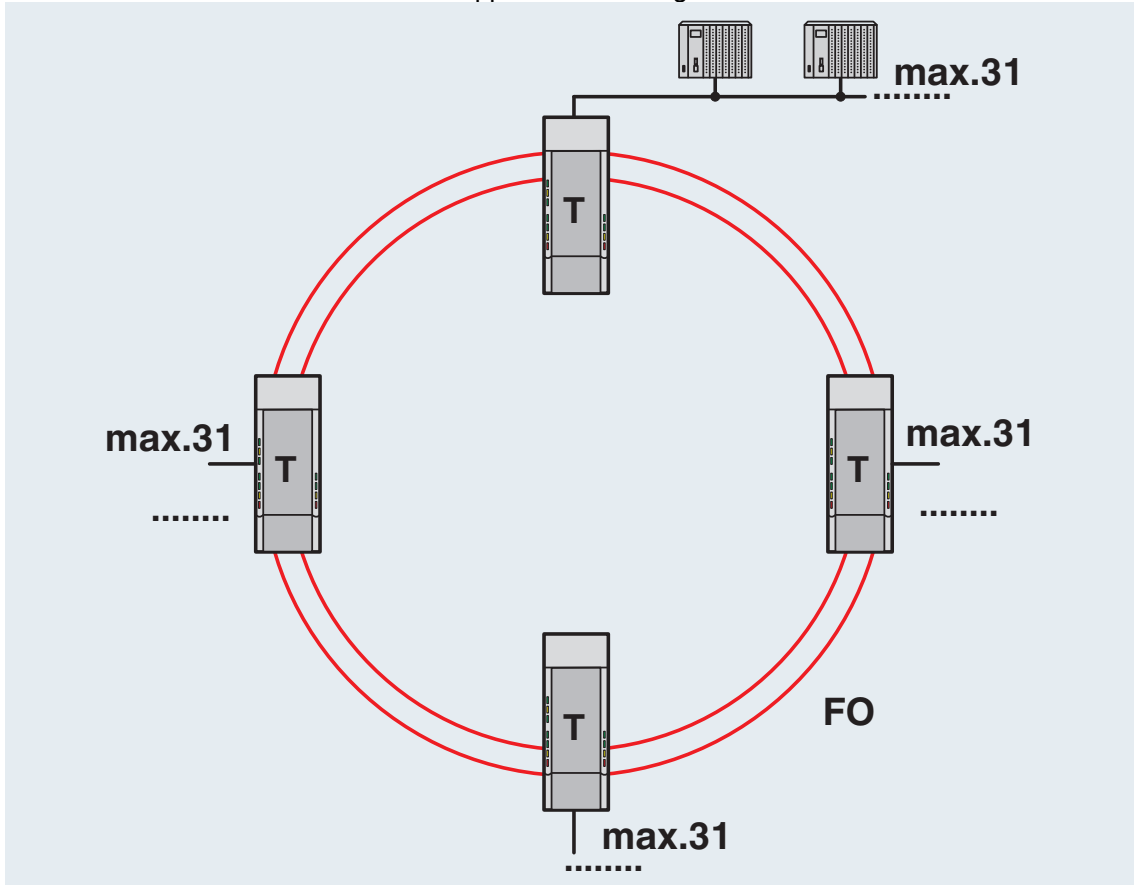
# PSI-MOS-PROFIB/FO1300 T - FO converters



2708892

<https://www.phoenixcontact.com/us/products/2708892>

Application drawing



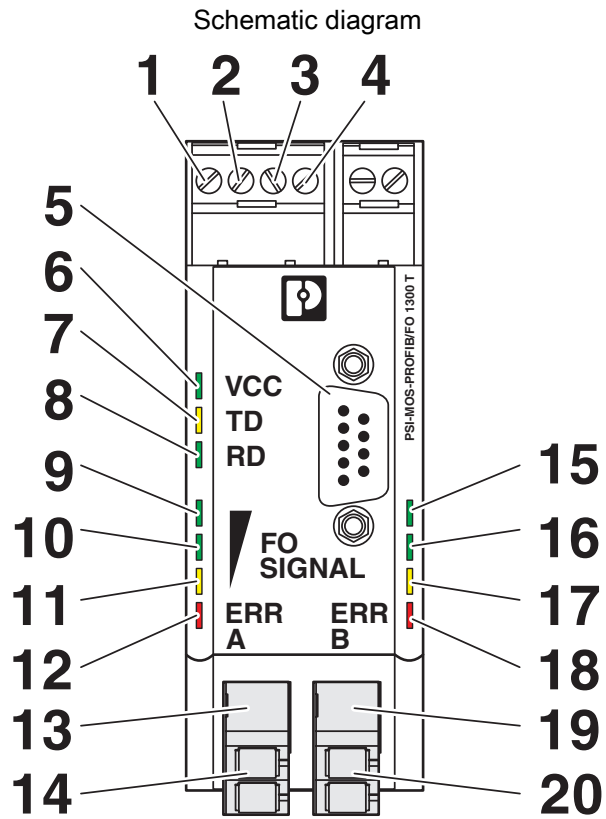
Redundant FO ring

# PSI-MOS-PROFIB/FO1300 T - FO converters



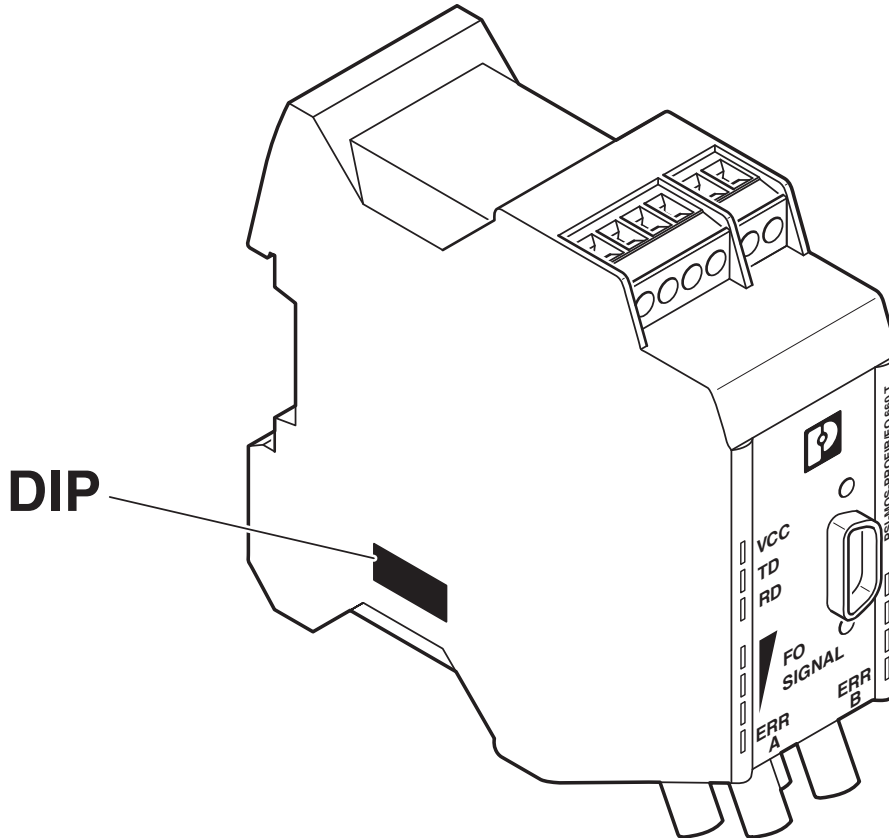
2708892

<https://www.phoenixcontact.com/us/products/2708892>



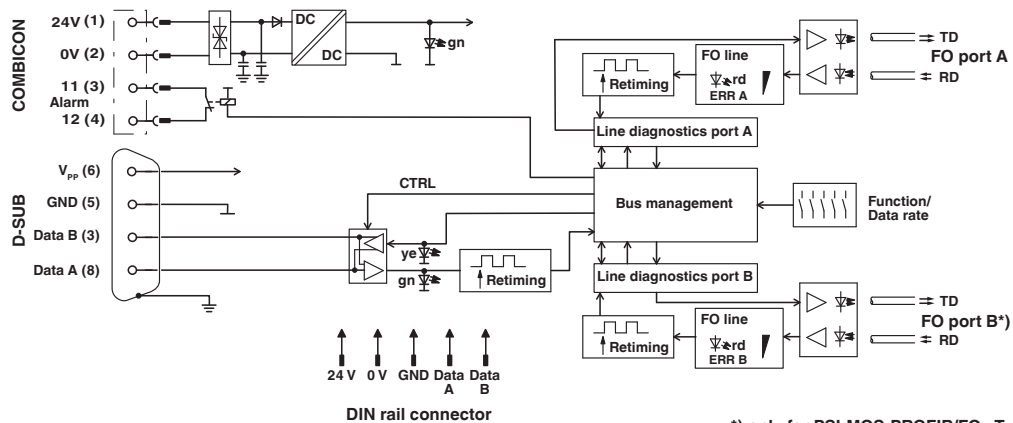
Front view

Schematic diagram



Position of DIP switches

Block diagram



\*) only with PSI-MOS.../FO...T

2708892

<https://www.phoenixcontact.com/us/products/2708892>

## Approvals

To download certificates, visit the product detail page: <https://www.phoenixcontact.com/us/products/2708892>



**KC**

Approval ID: MSIP-REI-PCK-2708892



**cULus Listed**

Approval ID: E238705



**cULus Recognized**

Approval ID: E238705



**cUL Listed**

Approval ID: E199827



**UL Listed**

Approval ID: E199827



**IECEX**

Approval ID: IECEX ULD 21.0013X



**ATEX**

Approval ID: UL 21 ATEX 2550X

# PSI-MOS-PROFIB/FO1300 T - FO converters



2708892

<https://www.phoenixcontact.com/us/products/2708892>

## Classifications

### ECLASS

ECLASS-13.0	19170411
ECLASS-15.0	19170411

### ETIM

ETIM 10.0	EC001467
-----------	----------

### UNSPSC

UNSPSC 21.0	43201500
-------------	----------

2708892

<https://www.phoenixcontact.com/us/products/2708892>

## Environmental product compliance

### EU RoHS

Fulfills EU RoHS substance requirements	Yes
Exemption	7(a), 7(c)-I

### China RoHS

Environment friendly use period (EFUP)	EFUP-50
	An article-related China RoHS declaration table can be found in the download area for the respective article under "Manufacturer declaration". For all articles with EFUP-E, no China RoHS declaration table issued and required.

### EU REACH SVHC

REACH candidate substance (CAS No.)	Lead(CAS: 7439-92-1)
	6,6'-di-tert-butyl-2,2'-methylenedi-p-cresol(CAS: 119-47-1)
SCIP	f38684b4-7b4b-49bf-923e-604a714ea010

Phoenix Contact 2026 © - all rights reserved  
<https://www.phoenixcontact.com>

Phoenix Contact USA  
 586 Fulling Mill Road  
 Middletown, PA 17057, United States  
 (+717) 944-1300  
[info@phoenixcon.com](mailto:info@phoenixcon.com)