

SUBCON 15HD/M - D-SUB connector



2708546

<https://www.phoenixcontact.com/us/products/2708546>

Please be informed that the data shown in this PDF document is generated from our online catalog. Please find the complete data in the user documentation. Our general terms of use for downloads are valid.



D-SUB connector, 15-pos. HD (high density), pin, one 35° cable outlet, universal type for all systems, pin assignment: 1, 2, 3, 6, 7, 8, 10, 13, 14 to screw connection terminal block

Your advantages

- Change to the D-SUB orientation through a reversible connection block

Commercial data

Item number	2708546
Packing unit	1 pc
Minimum order quantity	1 pc
Sales key	DN10
Product key	DNC512
GTIN	4017918942144
Weight per piece (including packing)	42.11 g
Weight per piece (excluding packing)	34.83 g
Customs tariff number	85366990
Country of origin	DE

SUBCON 15HD/M - D-SUB connector



2708546

<https://www.phoenixcontact.com/us/products/2708546>

Technical data

Notes

Note on application

Note on application	Only for industrial use
---------------------	-------------------------

Product properties

Product type	Data plug
MTTF	6706 Years (SN 29500 standard, temperature 25°C, operating cycle 21%)
	1817 Years (SN 29500 standard, temperature 40°C, operating cycle 34.25%)
	155 Years (SN 29500 standard, temperature 40°C, operating cycle 100%)

Electrical properties

Nominal voltage U_N	24 V AC/DC
-----------------------	------------

Connection data

D-SUB connection

Connection method	High density D-SUB pin strip
-------------------	------------------------------

PCB connection

Connection method	Screw connection
Stripping length	5 mm
Conductor cross-section, rigid min.	0.14 mm ²
Conductor cross-section, rigid max.	1.5 mm ²
Conductor cross-section flexible min.	0.14 mm ²
Conductor cross-section flexible max.	1 mm ²
Single-wire/terminal point, rigid AWG min.	26
Single-wire/terminal point, rigid AWG max.	16
Min. AWG conductor cross-section, flexible	26
Max. AWG conductor cross-section, flexible	18
Tightening torque	0.22 Nm ... 0.25 Nm

Interfaces

Signal	VGA
--------	-----

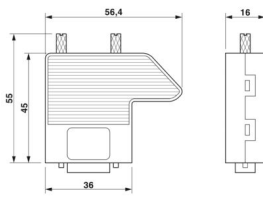
Dimensions

SUBCON 15HD/M - D-SUB connector



2708546

<https://www.phoenixcontact.com/us/products/2708546>

Dimensional drawing	
Width	16 mm
Height	55 mm
Length	56.5 mm

Material specifications

Material (Housing)	ABS (metal-plated)
--------------------	--------------------

Cable/line

External cable diameter	4 mm ... 10 mm
-------------------------	----------------

Mechanical properties

Mechanical data

Insertion/withdrawal cycles	≥ 200
Fixing screws	4-40 UNC
Tightening torque	0.4 Nm

Mechanical tests

Vibration resistance in accordance with EN 60068-2-6/IEC 60068-2-6	Vibration (operation): 5g, 10...150 Hz, 2.5 h, in XYZ direction
Shock in accordance with EN 60068-2-27/IEC 60068-2-27	Shock (operation): 15g, 11 ms period, half-sine shock pulse

Environmental and real-life conditions

Ambient conditions

Degree of protection	IP20
Ambient temperature (operation)	-20 °C ... 75 °C
Ambient temperature (storage/transport)	-25 °C ... 80 °C
Altitude	≤ 5000 m (For restrictions, see the manufacturer's declaration for altitude operation)
Permissible humidity (operation)	10 % ... 95 % (non-condensing)
Permissible humidity (storage/transport)	5 % ... 95 % (non-condensing)

Approvals

Corrosive gas test

Identification	ISA-S71.04-1985 G3 Harsh Group A
----------------	----------------------------------

Standards and regulations

Free from substances that could impair the application of coating	VDMA 24364:2018-05
---	--------------------

SUBCON 15HD/M - D-SUB connector

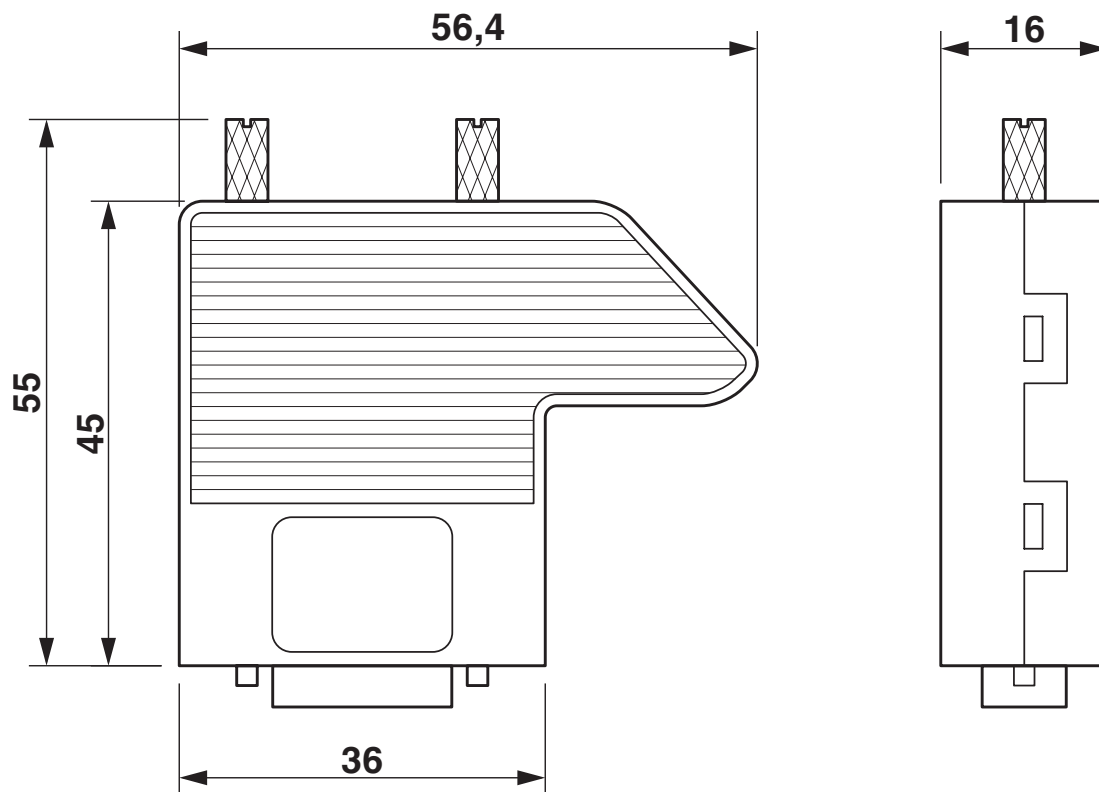
2708546

<https://www.phoenixcontact.com/us/products/2708546>



Drawings

Dimensional drawing



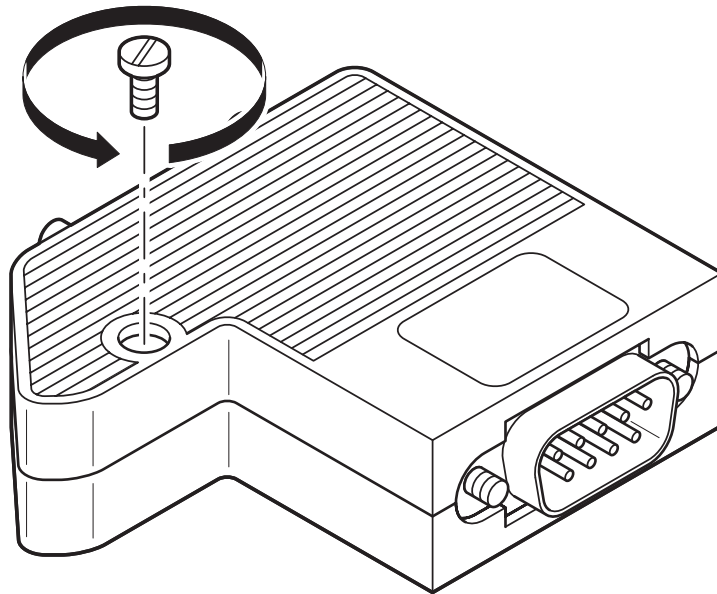
SUBCON 15HD/M - D-SUB connector

2708546

<https://www.phoenixcontact.com/us/products/2708546>



Schematic diagram



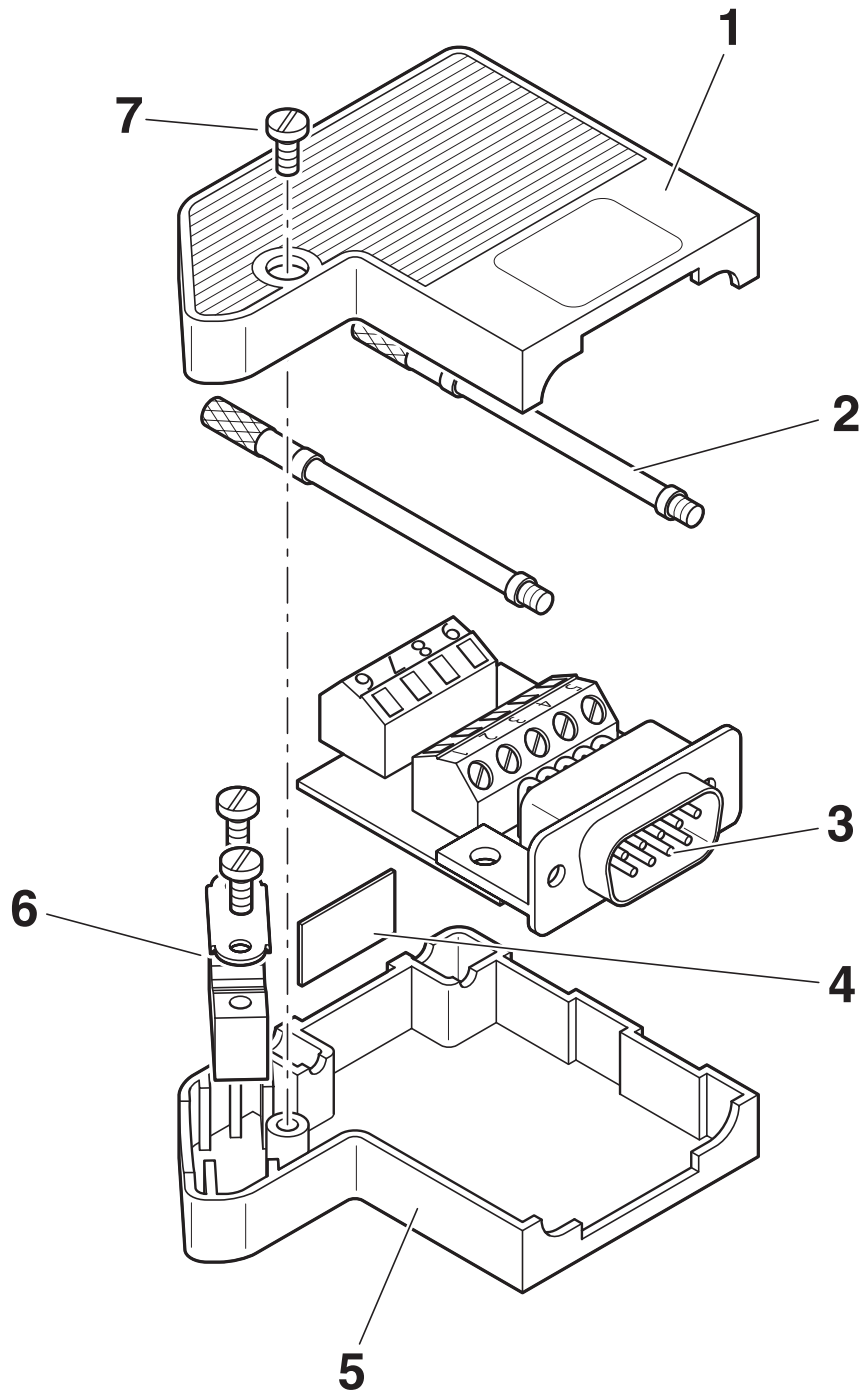
Opening the housing

SUBCON 15HD/M - D-SUB connector

2708546

<https://www.phoenixcontact.com/us/products/2708546>

Schematic diagram



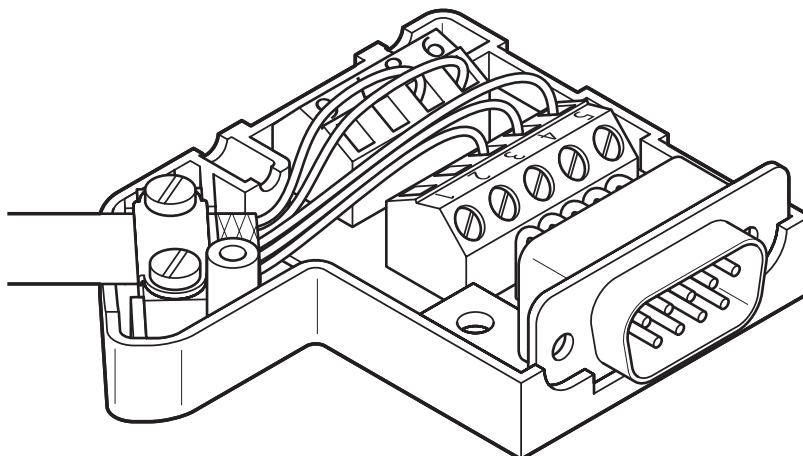
Function elements

SUBCON 15HD/M - D-SUB connector

2708546

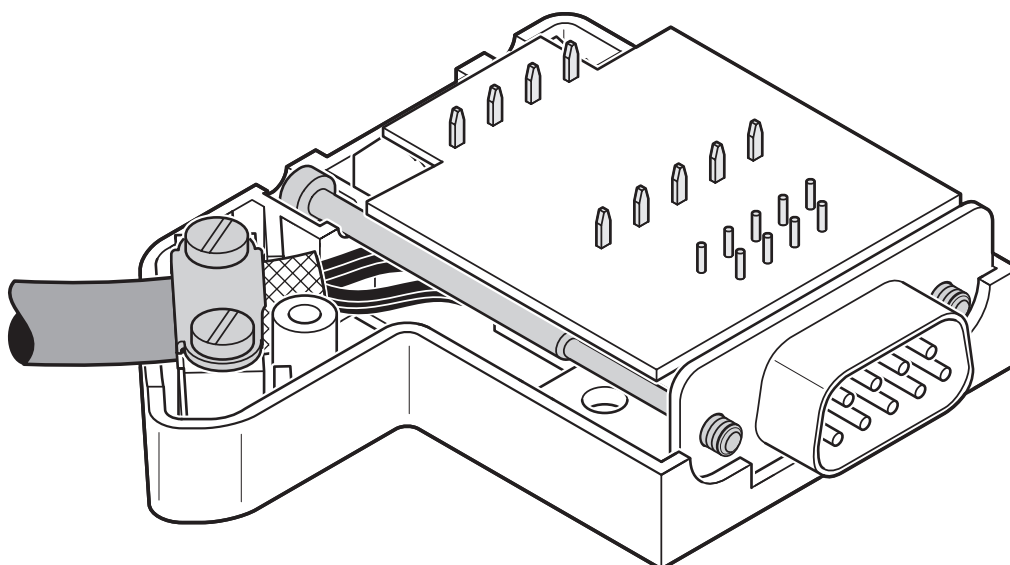
<https://www.phoenixcontact.com/us/products/2708546>

Schematic diagram



Left-hand side cable entry

Schematic diagram



Right-hand side cable entry

SUBCON 15HD/M - D-SUB connector



2708546

<https://www.phoenixcontact.com/us/products/2708546>

Classifications

ECLASS

ECLASS-13.0	27440302
ECLASS-15.0	27440322

ETIM

ETIM 10.0	EC001132
-----------	----------

UNSPSC

UNSPSC 21.0	39121400
-------------	----------

SUBCON 15HD/M - D-SUB connector



2708546

<https://www.phoenixcontact.com/us/products/2708546>

Environmental product compliance

EU RoHS

Fulfills EU RoHS substance requirements	Yes, No exemptions
---	--------------------

China RoHS

Environment friendly use period (EFUP)	EFUP-E
	No hazardous substances above the limits

EU REACH SVHC

REACH candidate substance (CAS No.)	No substance above 0.1 wt%
-------------------------------------	----------------------------

Phoenix Contact 2026 © - all rights reserved
<https://www.phoenixcontact.com>

Phoenix Contact USA
586 Fulling Mill Road
Middletown, PA 17057, United States
(+717) 944-1300
info@phoenixcon.com