

PSI-MOS-RS422/FO 850 T - FO converters



2708397

<https://www.phoenixcontact.com/us/products/2708397>

Please be informed that the data shown in this PDF document is generated from our online catalog. Please find the complete data in the user documentation. Our general terms of use for downloads are valid.



FO converter with integrated optical diagnostics, alarm contact, for RS-422/RS-485 4-wire/INTERBUS up to 2 Mbps, T-coupler with two FO interfaces (BFOC), 850 nm, for PCF/fiberglass cable (multimode)

Your advantages

- Supply voltage routed through via DIN rail connectors
- Connections can be plugged in via a COMBICON screw terminal block
- Redundant power supply possible by means of optional system power supply unit
- High-quality electrical isolation between all interfaces (INTERBUS // FO ports // supply // DIN rail connector)
- Approved for use in zone 2
- Floating switch contact for advance warning of critical FO paths
- Integrated optical diagnostics for continuous monitoring of FO paths
- Intrinsically safe fiber optic interface (Ex op is) for direct connection to devices in zone 1
- Automatic data rate detection for all data rates up to 2 Mbps

Commercial data

| | |
|--------------------------------------|---------------|
| Item number | 2708397 |
| Packing unit | 1 pc |
| Minimum order quantity | 1 pc |
| Sales key | DN06 |
| Product key | DNC216 |
| GTIN | 4017918974091 |
| Weight per piece (including packing) | 275 g |
| Weight per piece (excluding packing) | 209.58 g |
| Customs tariff number | 85176200 |
| Country of origin | DE |

Technical data

Notes

Note on application

| | |
|---------------------|-------------------------|
| Note on application | Only for industrial use |
|---------------------|-------------------------|

Utilization restriction

| | |
|------------|---|
| CCCex note | Use in potentially explosive areas is not permitted in China. |
|------------|---|

Product properties

| | |
|----------------|---|
| Product type | Media converter |
| Product family | PSI-MOS |
| MTTF | 746 Years (SN 29500 standard, temperature 25°C, operating cycle 21%) |
| | 309 Years (SN 29500 standard, temperature 40°C, operating cycle 34.25%) |
| | 128 Years (SN 29500 standard, temperature 40°C, operating cycle 100%) |
| MTBF | 178 Years (Telcordia standard, 25°C temperature, 21% operating cycle (5 days a week, 8 hours a day)) |
| | 26 Years (Telcordia standard, 40°C temperature, 34.25% operating cycle (5 days a week, 12 hours a day)) |

Electrical properties

| | |
|---|---------------------------------------|
| Electrical isolation | VCC // RS-422 |
| Maximum power dissipation for nominal condition | 2.88 W |
| Test voltage data interface/power supply | 1.5 kV _{rms} (50 Hz, 1 min.) |

Supply

| | |
|-----------------------------|--|
| Supply voltage range | 18 V DC ... 30 V DC |
| Nominal supply voltage | 24 V DC (in acc. with UL) |
| Typical current consumption | 120 mA (24 V DC) |
| Max. current consumption | 130 mA |
| | ≤ 2 A (For operation in a joining station, via the DIN rail connector) |

Output data

Switching

| | |
|-----------------------------|--------------|
| Output name | Relay output |
| Output description | Alarm output |
| Number of outputs | 1 |
| Maximum switching voltage | 60 V DC |
| | 42 V AC |
| Limiting continuous current | 0.46 A |

Connection data

Supply

| | |
|-------------------|---------------------------------------|
| Connection method | COMBICON plug-in screw terminal block |
| Tightening torque | 0.56 Nm ... 0.79 Nm |

Interfaces

| | |
|------------------------|-----------------------------|
| Bit distortion, input | ± 35 % (permitted) |
| Bit distortion, output | < 6.25 % |
| Signal | INTERBUS |
| Transmission channels | 2 (1/1) RD, TD, full duplex |

Data: optical FO

| | |
|---|---|
| No. of channels | 2 |
| Transmit capacity, minimum | -4.6 dBm (200/230 µm) |
| | -17.6 dBm (50/125 µm) |
| | -13.6 dBm (62,5/125 µm) |
| Transmission length incl. 3 dB system reserve | 2800 m (F-K 200/230 10 dB/km with quick mounting connector) |
| | 4200 m (with F-G 50/125 2.5 dB/km) |
| | 4800 m (with F-G 62,5/125 3.0 dB/km) |
| Transmission protocol | Transparent to protocol for RS-422 interface |
| Connection method | B-FOC (ST®) |
| Wavelength | 850 nm |
| Minimum receiver sensitivity | -33.2 dBm |
| Transmission medium | PCF fiber |
| | Multi-mode fiberglass |

Data: RS-422 interface in acc. with ITU-T V.11, EIA/TIA-422, DIN 66348-1

| | |
|--|--|
| Serial transmission speed | ≤ 2 Mbps |
| Connection method | Pluggable screw connection |
| Transmission length | ≤ 1000 m (depending on the data rate, with shielded, twisted data cable) |
| Termination resistor | 220 Ω |
| | 100 Ω |
| | 220 Ω |
| Single conductor/terminal point, rigid | 0.2 mm² ... 2.5 mm² |
| Single-wire/terminal point, flexible | 0.2 mm² ... 2.5 mm² |
| Max. AWG conductor cross-section, flexible | 14 |
| Min. AWG conductor cross-section, flexible | 24 |
| Single-wire/terminal point, rigid AWG max. | 14 |
| Single-wire/terminal point, rigid AWG min. | 24 |
| Transmission medium | Copper |
| File format/coding | UART (11 Bit, NRZ) |

Dimensions

2708397

<https://www.phoenixcontact.com/us/products/2708397>

| | |
|--------|--------|
| Width | 35 mm |
| Height | 99 mm |
| Depth | 103 mm |

Material specifications

| | |
|--------------------|------------------|
| Color (Housing) | green (RAL 6021) |
| Material (Housing) | PA 6.6-FR |

Cable/line

FO cable

| | |
|-------------|-------------|
| Fiber types | 200/230 µm |
| | 50/125 µm |
| | 62.5/125 µm |
| | PCF fiber |
| | Fiberglass |

Mechanical tests

| | |
|--|---|
| Vibration resistance in accordance with EN 60068-2-6/IEC 60068-2-6 | Operation: 5g, 10...150 Hz, 2.5 h, in XYZ direction |
| Shock in accordance with EN 60068-2-27/IEC 60068-2-27 | Operation: 15g, 11 ms period, half-sine shock pulse |

Environmental and real-life conditions

Ambient conditions

| | |
|---|--|
| Degree of protection | IP20 |
| Ambient temperature (operation) | -20 °C ... 60 °C |
| Ambient temperature (storage/transport) | -40 °C ... 85 °C |
| Altitude | ≤ 5000 m (For restrictions, see the manufacturer's declaration for altitude operation) |
| Permissible humidity (operation) | 30 % ... 95 % (non-condensing) |

Approvals

CE

| | |
|-------------|--------------|
| Certificate | CE-compliant |
|-------------|--------------|

ATEX

| | |
|----------------|---|
| Identification | ⊕ II 3 G Ex nA nC IIC T4 Gc X |
| Note | Please follow the special installation instructions in the documentation! |

ATEX, FO interface

| | |
|----------------|---|
| Identification | ⊕ II (2) G [Ex op is Gb] IIC |
| | ⊕ II (2) D [Ex op is Db] IIIC |
| Certificate | PTB 06 ATEX 2042 U |
| Note | Please follow the special installation instructions in the documentation! |

PSI-MOS-RS422/FO 850 T - FO converters



2708397

<https://www.phoenixcontact.com/us/products/2708397>

UL, USA/Canada

| | |
|----------------|------------------------------------|
| Identification | Class I, Zone 2, AEx nc IIC T5 |
| | Class I, Zone 2, Ex nC nL IIC T5 X |
| | Class I, Div. 2, Groups A, B, C, D |

Corrosive gas test

| | |
|----------------|----------------------------------|
| Identification | ISA-S71.04-1985 G3 Harsh Group A |
|----------------|----------------------------------|

EMC data

| | |
|-------------------------------|---|
| Electromagnetic compatibility | Conformance with EMC Directive 2014/30/EU |
| Noise immunity | EN 61000-6-2:2005 |

Noise emission

| | |
|-----------------------|----------|
| Standards/regulations | EN 55011 |
|-----------------------|----------|

Electrostatic discharge

| | |
|-----------------------|--------------|
| Standards/regulations | EN 61000-4-2 |
|-----------------------|--------------|

Electrostatic discharge

| | |
|-------------------|-------------|
| Contact discharge | ± 6 kV |
| Discharge in air | ± 8 kV |
| Comments | Criterion B |

Electromagnetic HF field

| | |
|-----------------------|--------------|
| Standards/regulations | EN 61000-4-3 |
|-----------------------|--------------|

Electromagnetic HF field

| | |
|-----------------|-------------|
| Field intensity | 10 V/m |
| Comments | Criterion A |

Fast transients (burst)

| | |
|-----------------------|--------------|
| Standards/regulations | EN 61000-4-4 |
|-----------------------|--------------|

Fast transients (burst)

| | |
|----------|-------------|
| Input | ± 2 kV |
| Signal | ± 2 kV |
| Comments | Criterion B |

Surge current load (surge)

| | |
|-----------------------|--------------|
| Standards/regulations | EN 61000-4-5 |
|-----------------------|--------------|

Surge current load (surge)

| | |
|----------|--------------|
| Input | ± 0.5 kV |
| Signal | ± 1 kV |
| Comments | Criterion B |

Conducted interference

| | |
|-----------------------|--------------|
| Standards/regulations | EN 61000-4-6 |
|-----------------------|--------------|

PSI-MOS-RS422/FO 850 T - FO converters



2708397

<https://www.phoenixcontact.com/us/products/2708397>

Conducted interference

| | |
|----------|-------------|
| Comments | Criterion A |
| Voltage | 10 V |

Emitted interference

| | |
|-----------------------|----------------------------------|
| Standards/regulations | EN 55011 |
| Comments | Class A, industrial applications |

Criteria

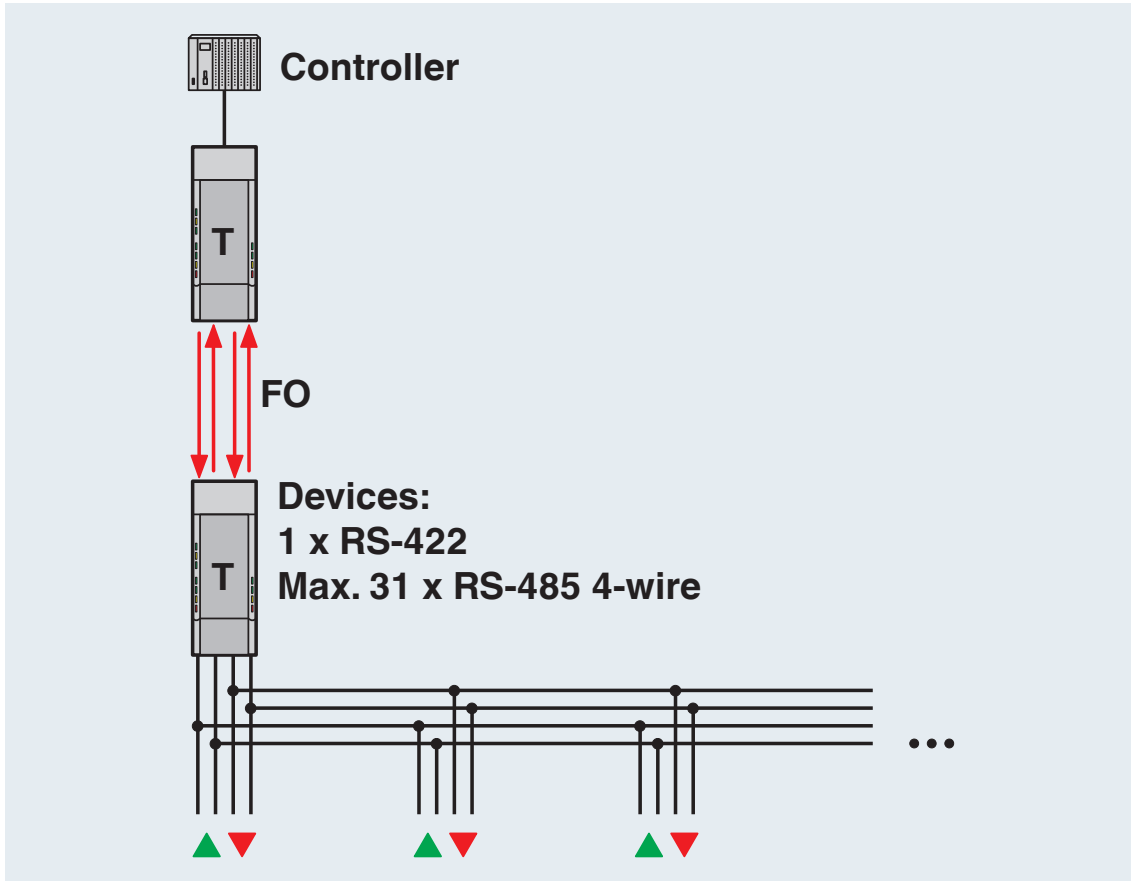
| | |
|-------------|--|
| Criterion A | Normal operating behavior within the specified limits. |
| Criterion B | Temporary impairment to operational behavior that is corrected by the device itself. |

Mounting

| | |
|---------------|--|
| Mounting type | DIN rail mounting |
| Assembly note | The product can be snapped onto all 35 mm DIN rails in accordance with EN/IEC 60715. |

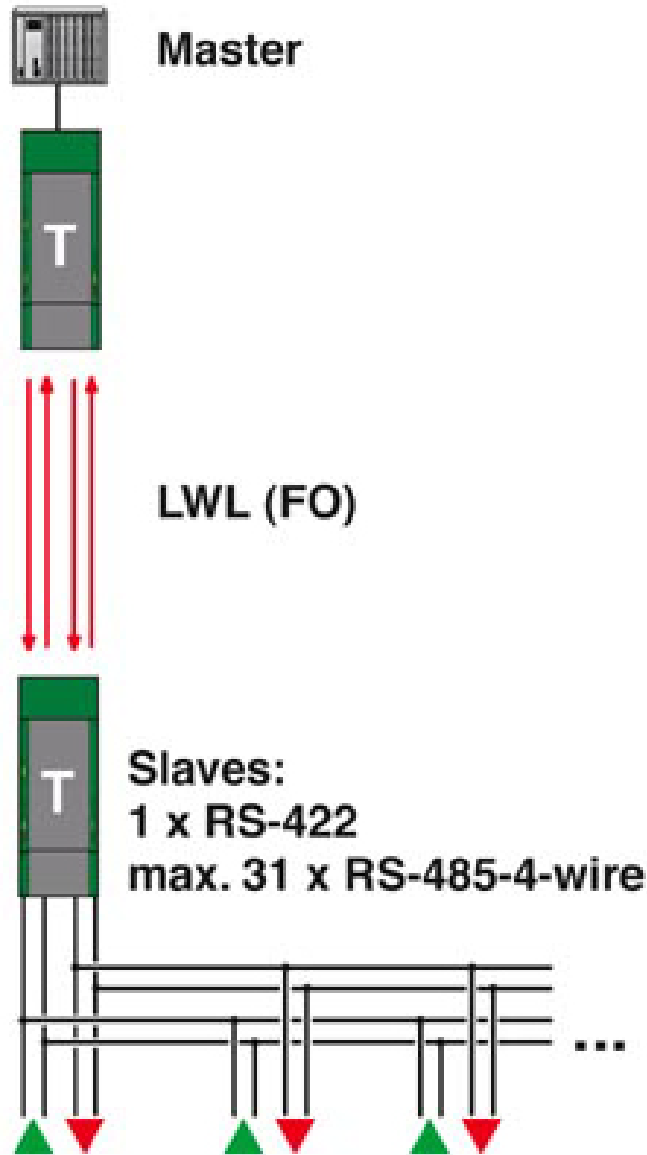
Drawings

Application drawing



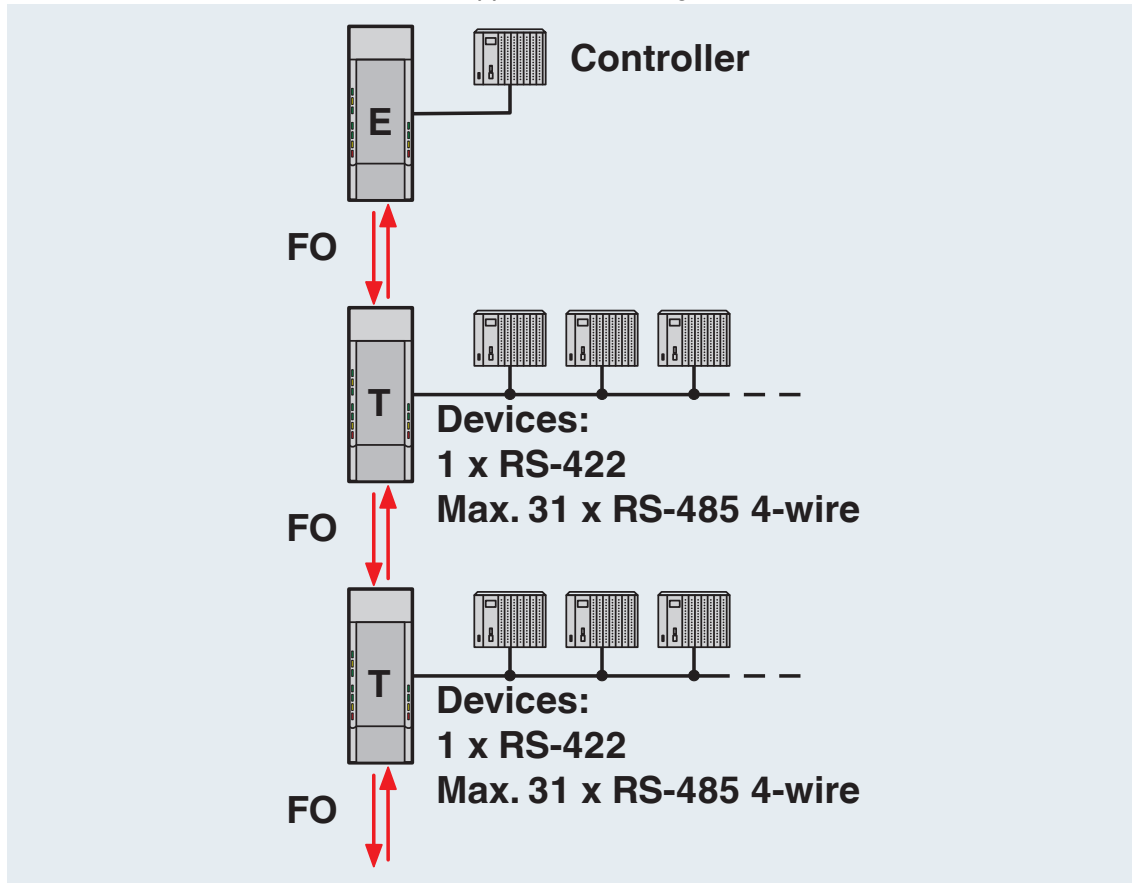
Redundant point-to-point connection

Application drawing



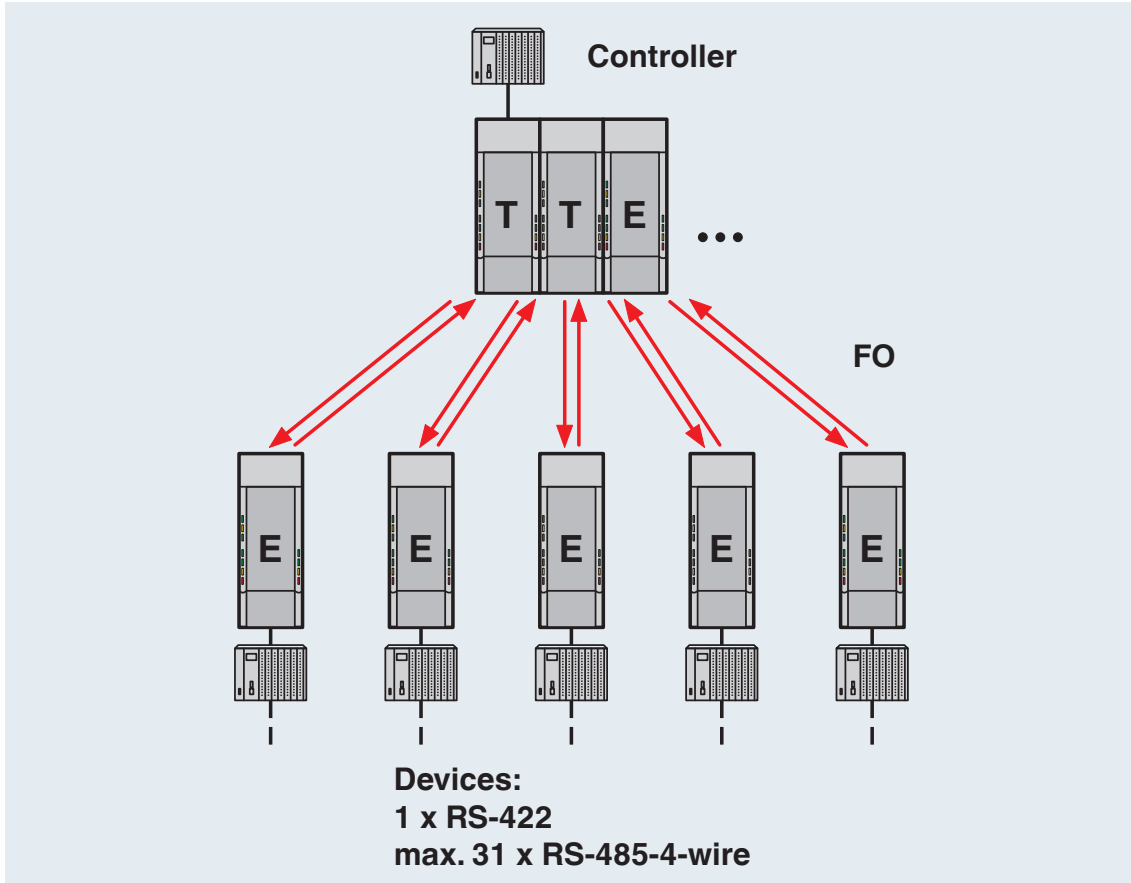
Redundant point-to-point connection

Application drawing



Controller-device line structure

Application drawing



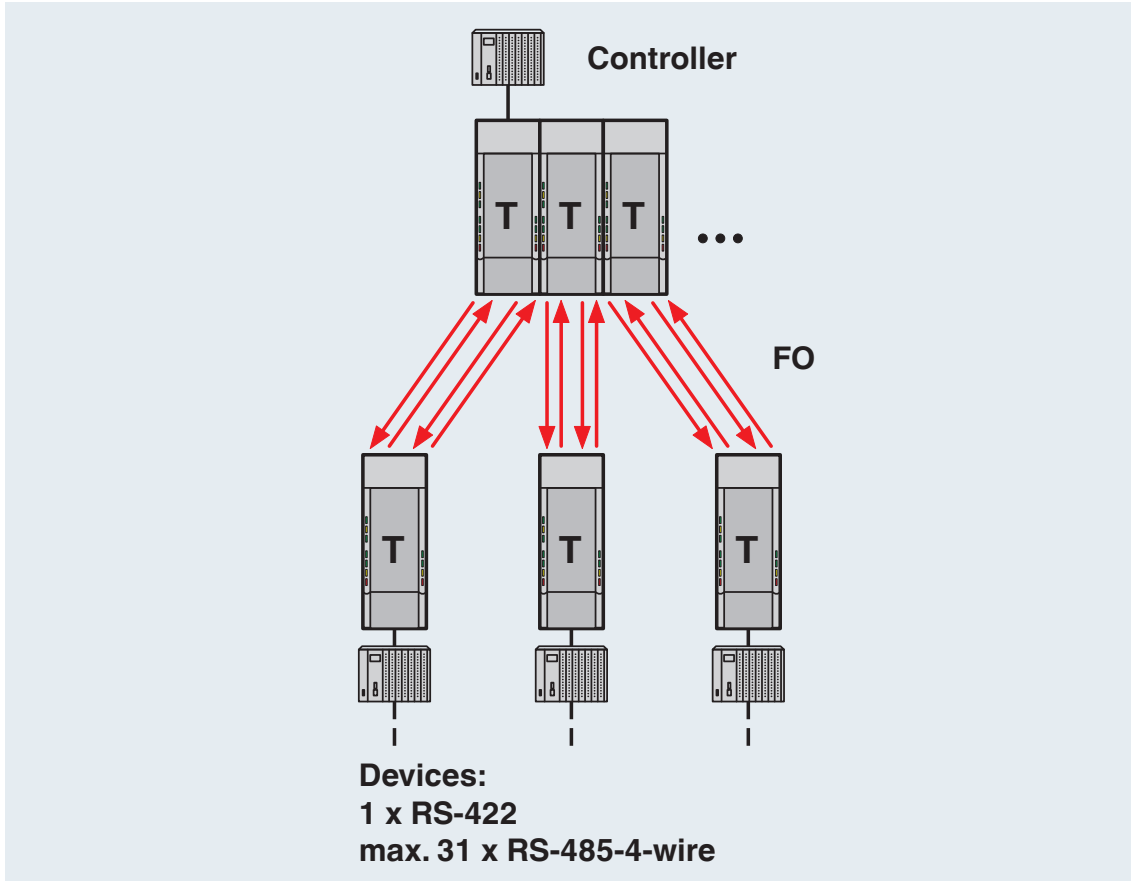
Star structure

PSI-MOS-RS422/FO 850 T - FO converters

2708397

<https://www.phoenixcontact.com/us/products/2708397>

Application drawing

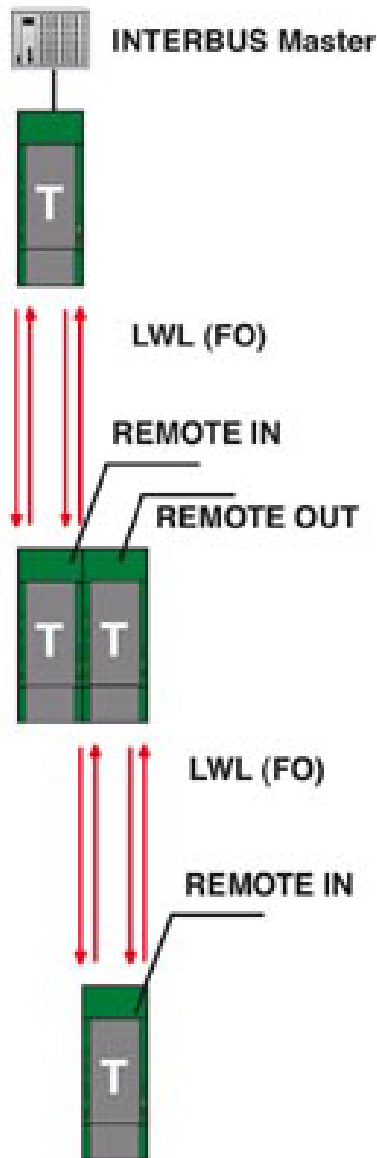


Redundant structure

2708397

<https://www.phoenixcontact.com/us/products/2708397>

Application drawing

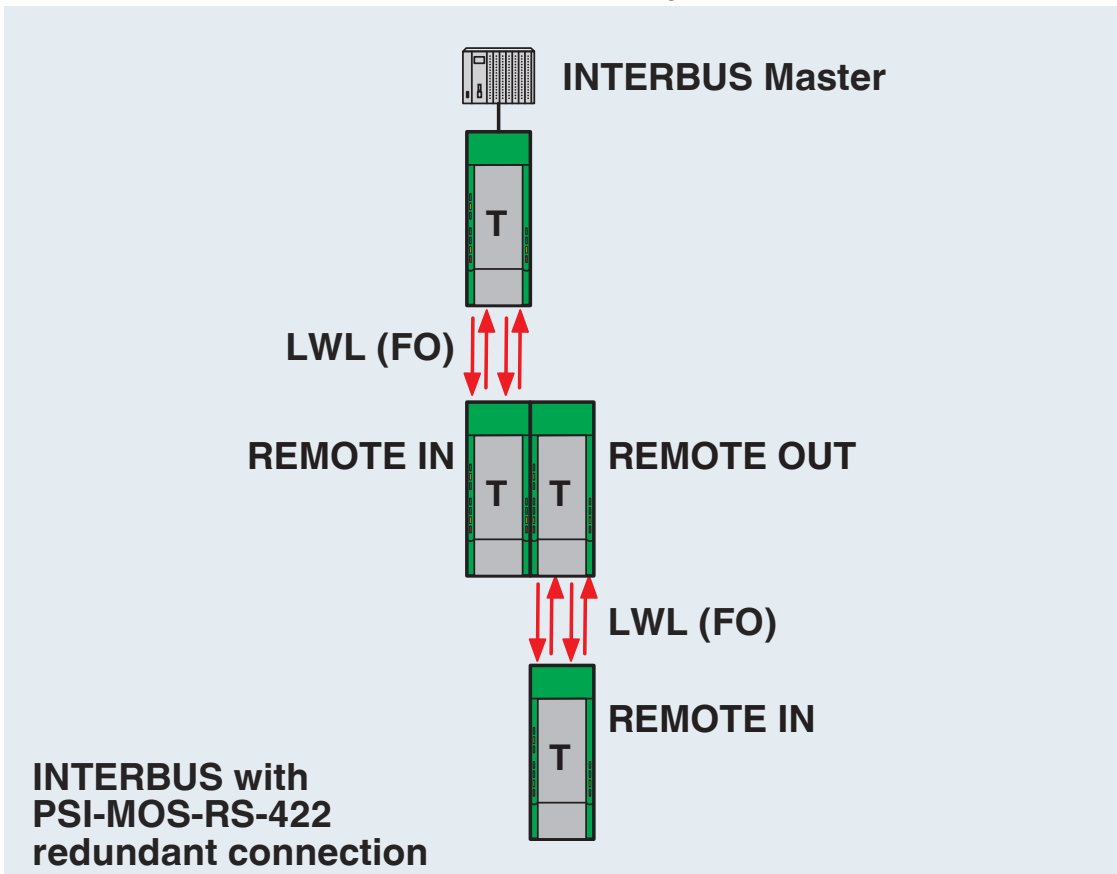


INTERBUS with PSI-MOS-RS-422
Redundant connection

2708397

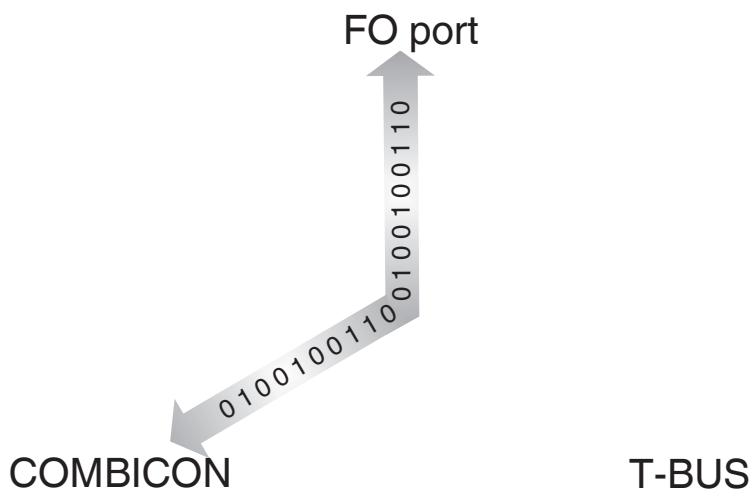
<https://www.phoenixcontact.com/us/products/2708397>

Functional drawing



INTERBUS with PSI-MOS-RS-422
Redundant connection

Schematic diagram

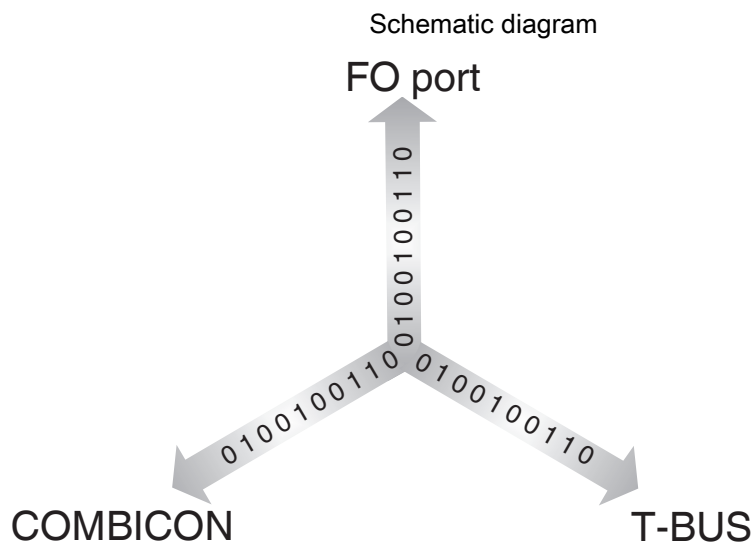


Port assignment for point-to-point connections

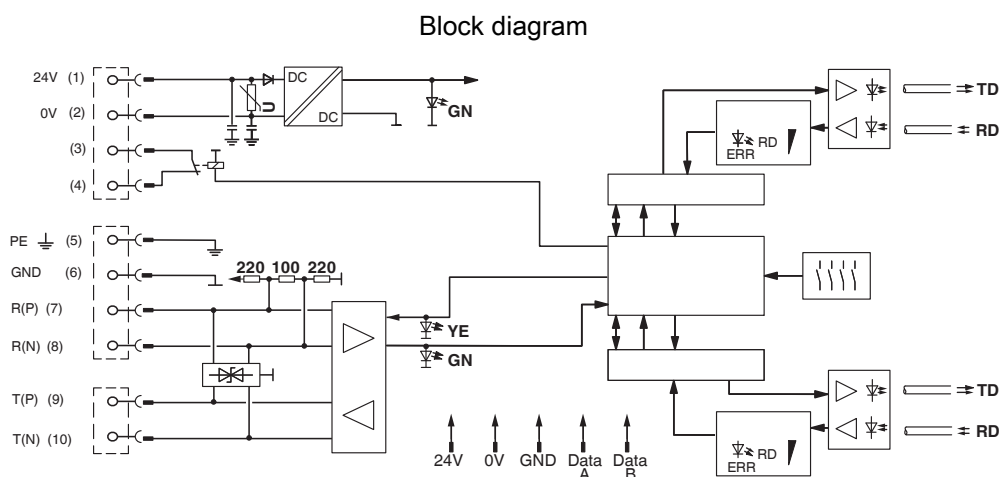
PSI-MOS-RS422/FO 850 T - FO converters

2708397

<https://www.phoenixcontact.com/us/products/2708397>



Port assignment in star structures



*) only with PSI-MOS.../FO...T

2708397

<https://www.phoenixcontact.com/us/products/2708397>

Approvals

To download certificates, visit the product detail page: <https://www.phoenixcontact.com/us/products/2708397>



cULus Recognized
Approval ID: E238705



cUL Listed
Approval ID: E199827



UL Listed
Approval ID: E199827

PSI-MOS-RS422/FO 850 T - FO converters



2708397

<https://www.phoenixcontact.com/us/products/2708397>

Classifications

ECLASS

| | |
|-------------|----------|
| ECLASS-13.0 | 19170411 |
| ECLASS-15.0 | 19170411 |

ETIM

| | |
|-----------|----------|
| ETIM 10.0 | EC001467 |
|-----------|----------|

UNSPSC

| | |
|-------------|----------|
| UNSPSC 21.0 | 43201500 |
|-------------|----------|

2708397

<https://www.phoenixcontact.com/us/products/2708397>

Environmental product compliance

EU RoHS

| | |
|---|--------------|
| Fulfills EU RoHS substance requirements | Yes |
| Exemption | 7(a), 7(c)-I |

China RoHS

| | |
|--|---|
| Environment friendly use period (EFUP) | EFUP-50 |
| | An article-related China RoHS declaration table can be found in the download area for the respective article under "Manufacturer declaration". For all articles with EFUP-E, no China RoHS declaration table issued and required. |

EU REACH SVHC

| | |
|-------------------------------------|--------------------------------------|
| REACH candidate substance (CAS No.) | Lead(CAS: 7439-92-1) |
| SCIP | 2fa0ed41-ef38-49ed-bbb7-5e4b1fca24f0 |

Phoenix Contact 2026 © - all rights reserved
<https://www.phoenixcontact.com>

Phoenix Contact USA
 586 Fulling Mill Road
 Middletown, PA 17057, United States
 (+717) 944-1300
info@phoenixcon.com