

PSI-MOS-RS422/FO 660 T - FO converters



2708384

<https://www.phoenixcontact.com/us/products/2708384>

Please be informed that the data shown in this PDF document is generated from our online catalog. Please find the complete data in the user documentation. Our general terms of use for downloads are valid.



FO converter with integrated optical diagnostics, alarm contact, for RS-422/RS-485 4-wire/INTERBUS up to 2 Mbps, T-coupler with two FO interfaces (FSMA), 660 nm, for polymer/PCF fiber cable

Your advantages

- Supply voltage routed through via DIN rail connectors
- Connections can be plugged in via a COMBICON screw terminal block
- Redundant power supply possible by means of optional system power supply unit
- High-quality electrical isolation between all interfaces (INTERBUS // FO ports // supply // DIN rail connector)
- Approved for use in zone 2
- Floating switch contact for advance warning of critical FO paths
- Integrated optical diagnostics for continuous monitoring of FO paths
- Intrinsically safe fiber optic interface (Ex op is) for direct connection to devices in zone 1
- Automatic data rate detection for all data rates up to 2 Mbps

Commercial data

Item number	2708384
Packing unit	1 pc
Minimum order quantity	1 pc
Sales key	DN06
Product key	DNC216
GTIN	4017918974084
Weight per piece (including packing)	263.9 g
Weight per piece (excluding packing)	197.98 g
Customs tariff number	85176200
Country of origin	DE

Technical data

Notes

Note on application

Note on application	Only for industrial use
---------------------	-------------------------

Utilization restriction

CCCex note	Use in potentially explosive areas is not permitted in China.
------------	---

Product properties

Product type	Media converter
Product family	PSI-MOS
MTTF	861 Years (SN 29500 standard, temperature 25°C, operating cycle 21%)
	338 Years (SN 29500 standard, temperature 40°C, operating cycle 34.25%)
	137 Years (SN 29500 standard, temperature 40°C, operating cycle 100%)
MTBF	284 Years (Telcordia standard, 25°C temperature, 21% operating cycle (5 days a week, 8 hours a day))
	52 Years (Telcordia standard, 40°C temperature, 34.25% operating cycle (5 days a week, 12 hours a day))

Electrical properties

Electrical isolation	VCC // RS-422
Maximum power dissipation for nominal condition	2.4 W
Test voltage data interface/power supply	1.5 kV _{rms} (50 Hz, 1 min.)

Supply

Supply voltage range	18 V DC ... 30 V DC
Nominal supply voltage	24 V DC (in acc. with UL)
Typical current consumption	100 mA (24 V DC)
Max. current consumption	130 mA
	≤ 2 A (For operation in a joining station, via the DIN rail connector)

Output data

Switching

Output name	Relay output
Output description	Alarm output
Number of outputs	1
Maximum switching voltage	60 V DC
	42 V AC
Limiting continuous current	0.46 A

2708384

<https://www.phoenixcontact.com/us/products/2708384>

Connection data

Supply

Connection method	COMBICON plug-in screw terminal block
Tightening torque	0.56 Nm ... 0.79 Nm

Interfaces

Bit distortion, input	± 35 % (permitted)
Bit distortion, output	< 6.25 %
Signal	INTERBUS
Transmission channels	2 (1/1) RD, TD, full duplex

Data: optical FO

No. of channels	2
Transmit capacity, minimum	-4.6 dBm (980/1000 µm)
	-16.6 dBm (200/230 µm)
Transmission length incl. 3 dB system reserve	100 m (F-P 980/1000 230 dB/km with quick mounting connector)
	800 m (F-K 200/230 10 dB/km with quick mounting connector)
Transmission protocol	Transparent to protocol for RS-422 interface
Connection method	F-SMA
Wavelength	660 nm
Minimum receiver sensitivity	-31.2 dBm
Transmission medium	Polymer fiber
	PCF fiber

Data: RS-422 interface in acc. with ITU-T V.11, EIA/TIA-422, DIN 66348-1

Serial transmission speed	≤ 2 Mbps
Connection method	Pluggable screw connection
Transmission length	≤ 1000 m (depending on the data rate, with shielded, twisted data cable)
Termination resistor	220 Ω
	100 Ω
	220 Ω
Single conductor/terminal point, rigid	0.2 mm ² ... 2.5 mm ²
Single-wire/terminal point, flexible	0.2 mm ² ... 2.5 mm ²
Max. AWG conductor cross-section, flexible	14
Min. AWG conductor cross-section, flexible	24
Single-wire/terminal point, rigid AWG max.	14
Single-wire/terminal point, rigid AWG min.	24
Transmission medium	Copper
File format/coding	UART (11 Bit, NRZ)

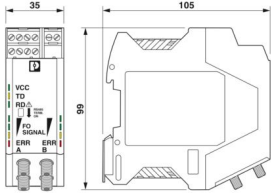
Dimensions

PSI-MOS-RS422/FO 660 T - FO converters



2708384

<https://www.phoenixcontact.com/us/products/2708384>

Dimensional drawing	
Width	35 mm
Height	99 mm
Depth	103 mm

Material specifications

Color (Housing)	green (RAL 6021)
Material (Housing)	PA 6.6-FR

Cable/line

FO cable

Fiber types	980/1000 µm
	200/230 µm
	Polymer fiber
	PCF fiber

Mechanical tests

Vibration resistance in accordance with EN 60068-2-6/IEC 60068-2-6	Vibration (operation): 5g, 10...150 Hz, 2.5 h, in XYZ direction
Shock in accordance with EN 60068-2-27/IEC 60068-2-27	Shock (operation): 15g, 11 ms period, half-sine shock pulse

Environmental and real-life conditions

Ambient conditions

Degree of protection	IP20
Ambient temperature (operation)	-20 °C ... 60 °C
Ambient temperature (storage/transport)	-40 °C ... 85 °C
Altitude	≤ 5000 m (For restrictions, see the manufacturer's declaration for altitude operation)
Permissible humidity (operation)	30 % ... 95 % (non-condensing)

Approvals

CE

Certificate	CE-compliant
-------------	--------------

ATEX

Identification	⊕ II 3 G Ex nA nC IIC T4 Gc X
Note	Please follow the special installation instructions in the documentation!

PSI-MOS-RS422/FO 660 T - FO converters



2708384

<https://www.phoenixcontact.com/us/products/2708384>

ATEX

Identification	Ⓜ II (2) G [Ex op is Gb] IIC Ⓜ II (2) D [Ex op is Db] IIIC
Certificate	PTB 06 ATEX 2042 U
Note	Please follow the special installation instructions in the documentation!

UL, USA/Canada

Identification	Class I, Zone 2, AEx nc IIC T5 Class I, Zone 2, Ex nC nL IIC T5 X Class I, Div. 2, Groups A, B, C, D
----------------	--

Corrosive gas test

Identification	ISA-S71.04-1985 G3 Harsh Group A
----------------	----------------------------------

EMC data

Electromagnetic compatibility	Conformance with EMC Directive 2014/30/EU
Noise immunity	EN 61000-6-2:2005

Noise emission

Standards/regulations	EN 55011
-----------------------	----------

Electrostatic discharge

Standards/regulations	EN 61000-4-2
-----------------------	--------------

Electrostatic discharge

Contact discharge	± 6 kV
Discharge in air	± 8 kV
Comments	Criterion B

Electromagnetic HF field

Standards/regulations	EN 61000-4-3
-----------------------	--------------

Electromagnetic HF field

Field intensity	10 V/m
Comments	Criterion A

Fast transients (burst)

Standards/regulations	EN 61000-4-4
-----------------------	--------------

Fast transients (burst)

Input	± 2 kV
Signal	± 2 kV
Comments	Criterion B

Surge current load (surge)

Standards/regulations	EN 61000-4-5
-----------------------	--------------

Surge current load (surge)

PSI-MOS-RS422/FO 660 T - FO converters



2708384

<https://www.phoenixcontact.com/us/products/2708384>

Input	± 0.5 kV
Signal	± 1 kV
Comments	Criterion B

Conducted interference

Standards/regulations	EN 61000-4-6
-----------------------	--------------

Conducted interference

Comments	Criterion A
Voltage	10 V

Emitted interference

Standards/regulations	EN 55011
Comments	Class A, industrial applications

Criteria

Criterion A	Normal operating behavior within the specified limits.
Criterion B	Temporary impairment to operational behavior that is corrected by the device itself.

Mounting

Mounting type	DIN rail mounting
Assembly note	The product can be snapped onto all 35 mm DIN rails in accordance with EN/IEC 60715.

PSI-MOS-RS422/FO 660 T - FO converters

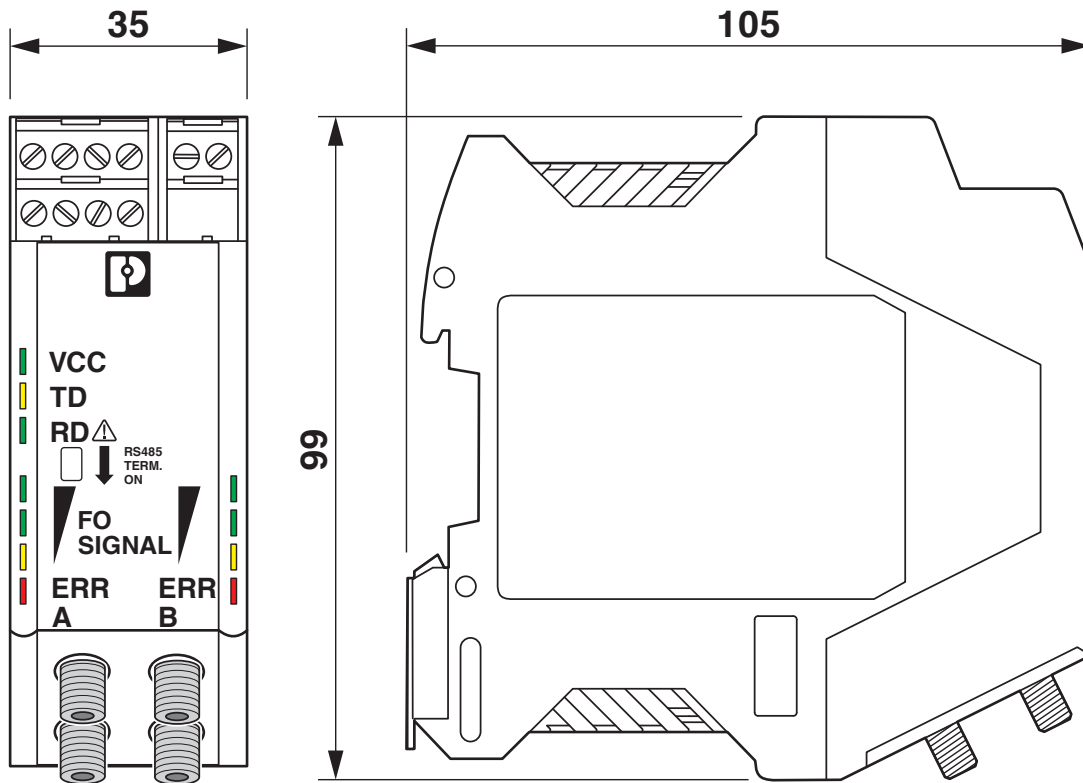


2708384

<https://www.phoenixcontact.com/us/products/2708384>

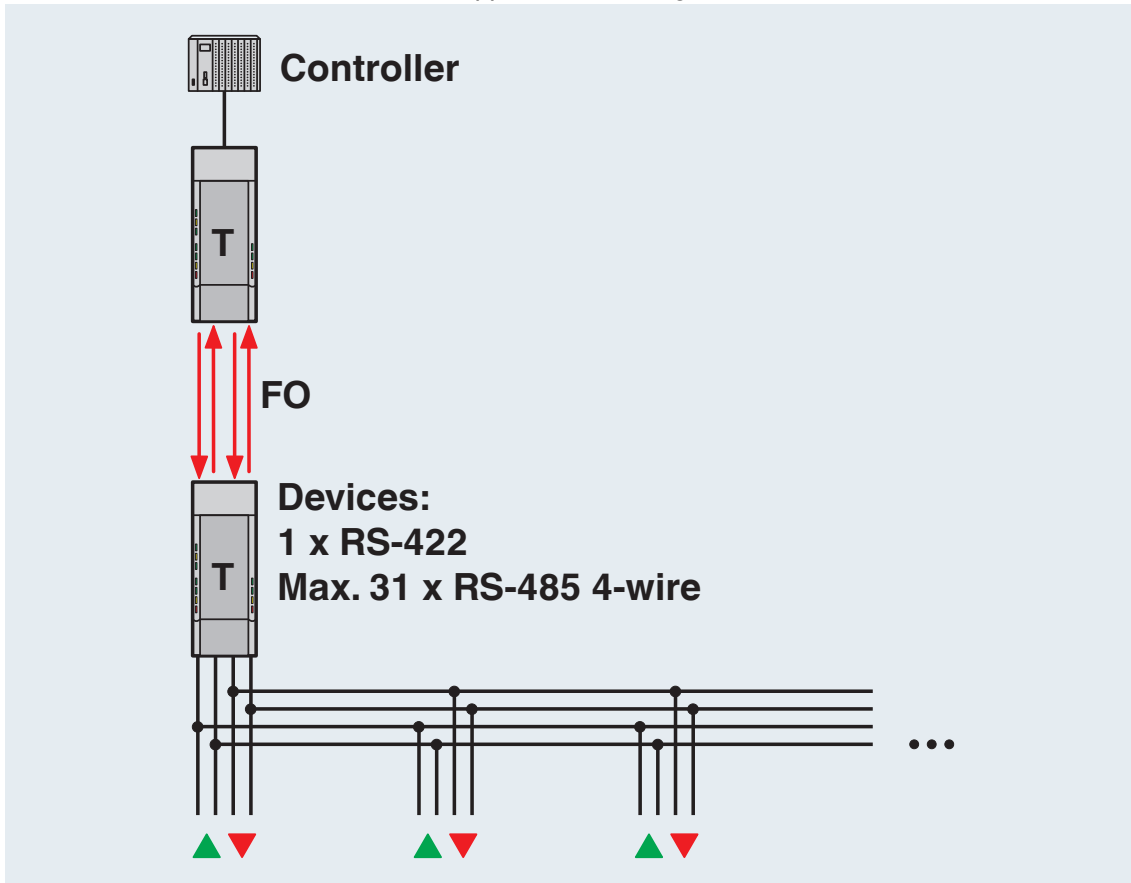
Drawings

Dimensional drawing



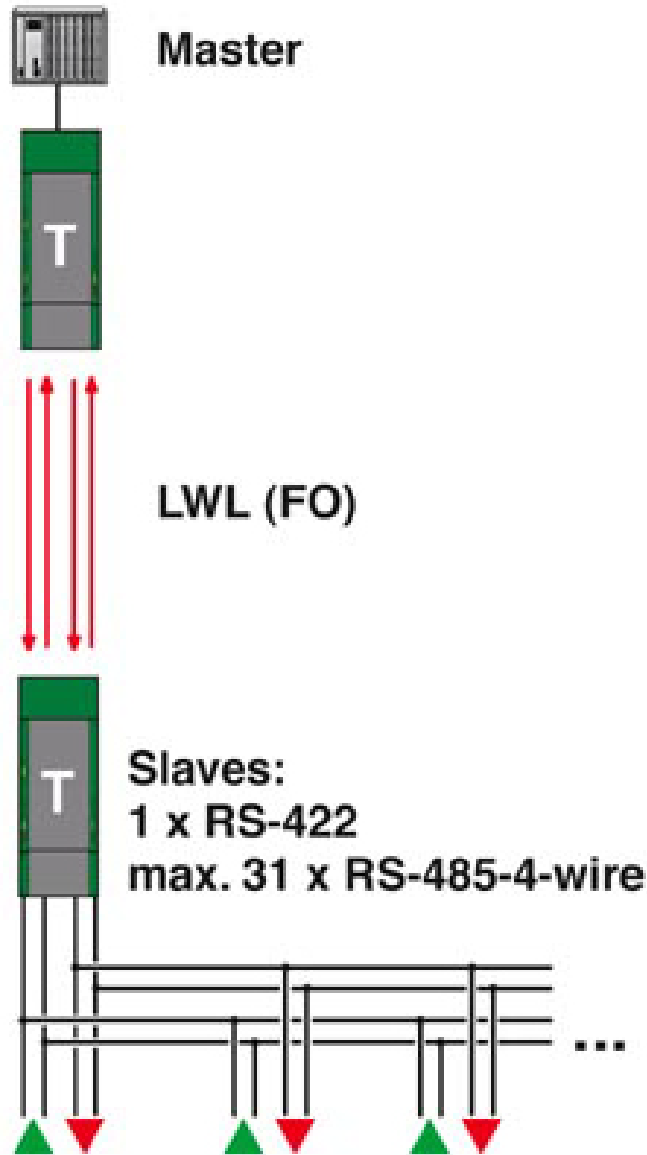
Housing dimensions

Application drawing



Redundant point-to-point connection

Application drawing



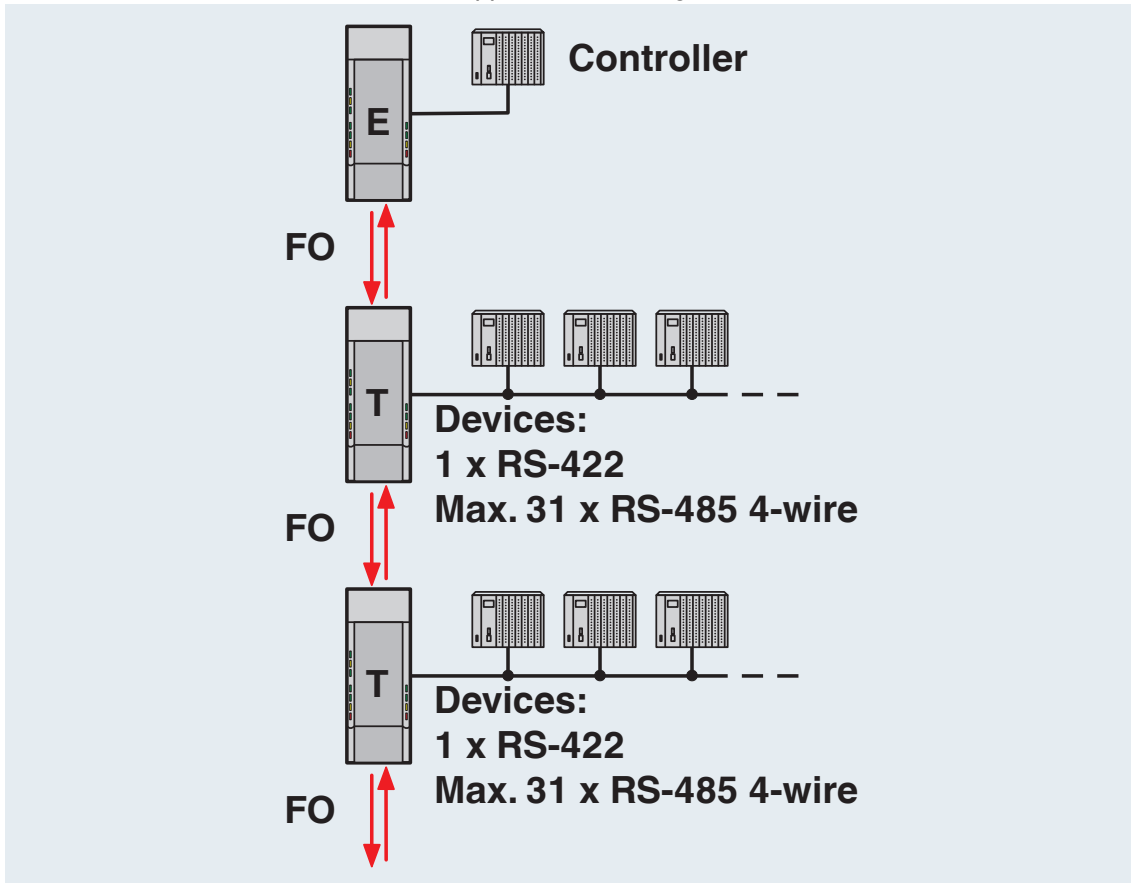
Redundant point-to-point connection

PSI-MOS-RS422/FO 660 T - FO converters

2708384

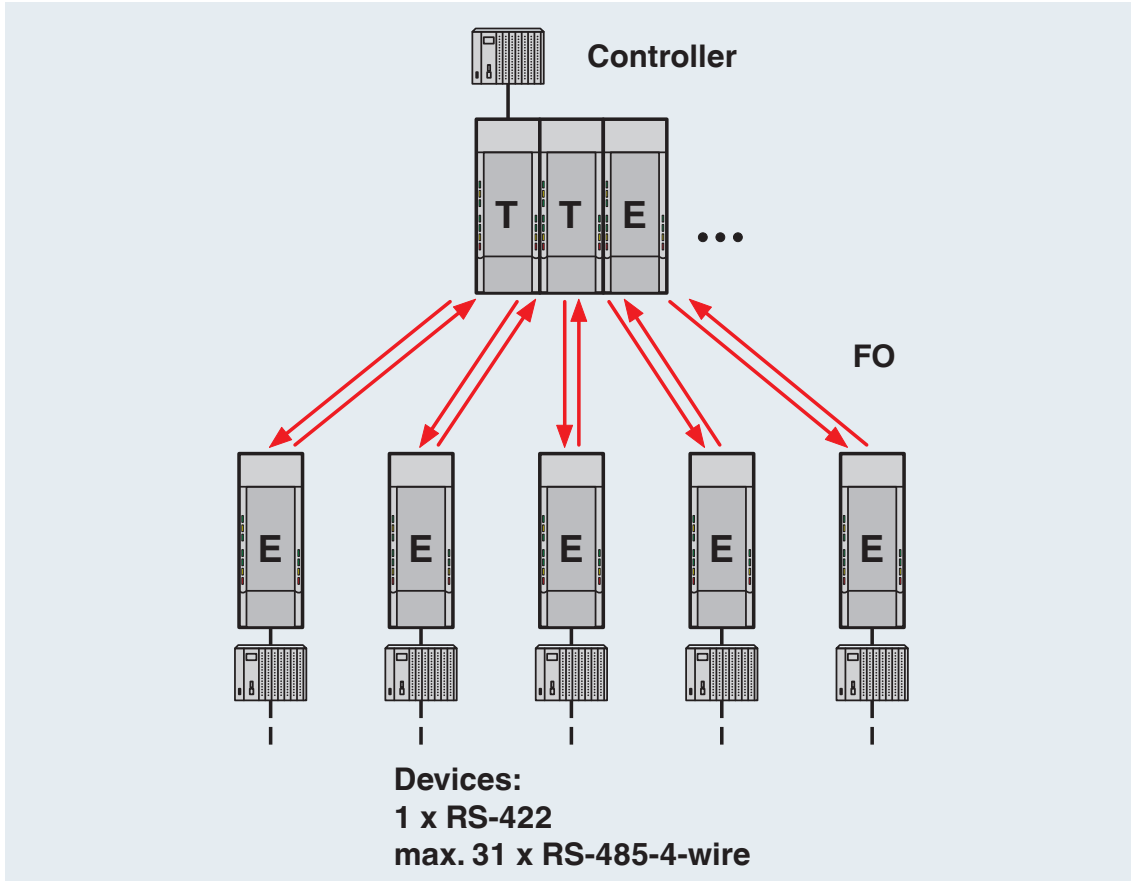
<https://www.phoenixcontact.com/us/products/2708384>

Application drawing



Controller-device line structure

Application drawing

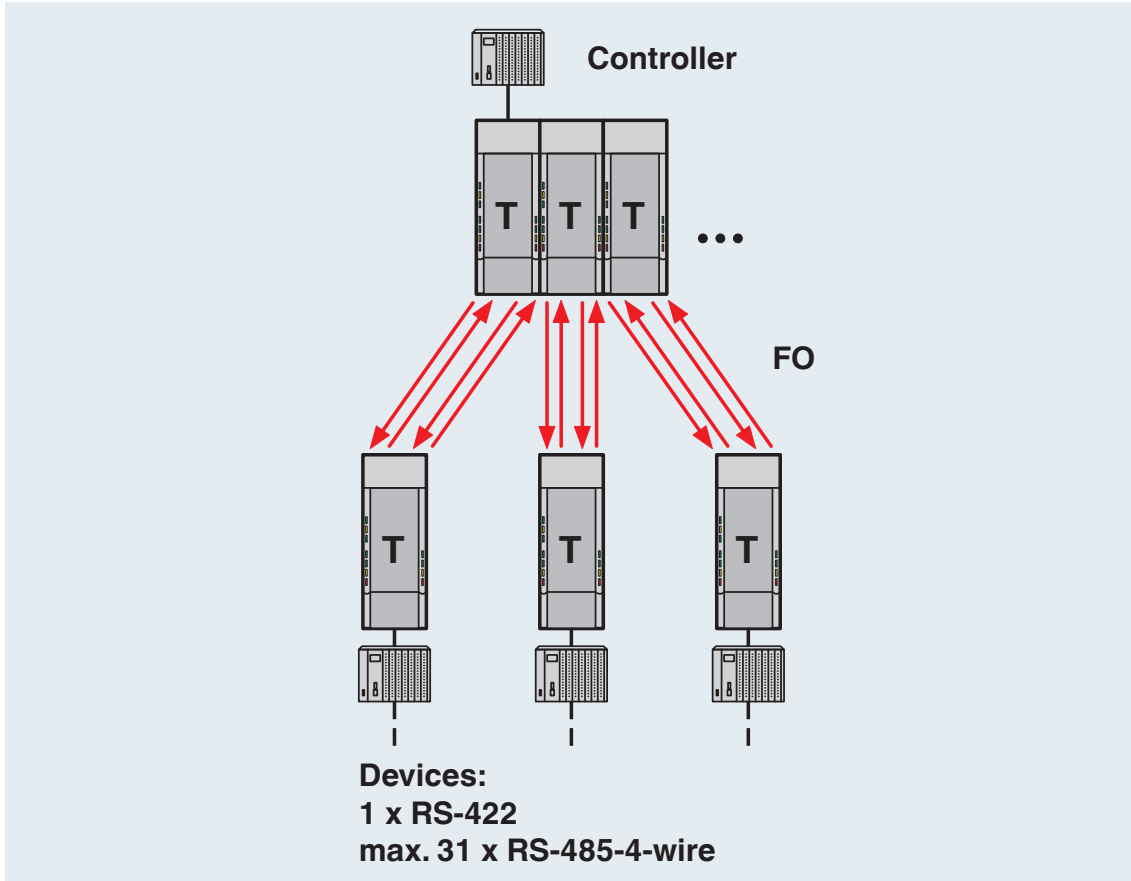


Star structure

2708384

<https://www.phoenixcontact.com/us/products/2708384>

Application drawing

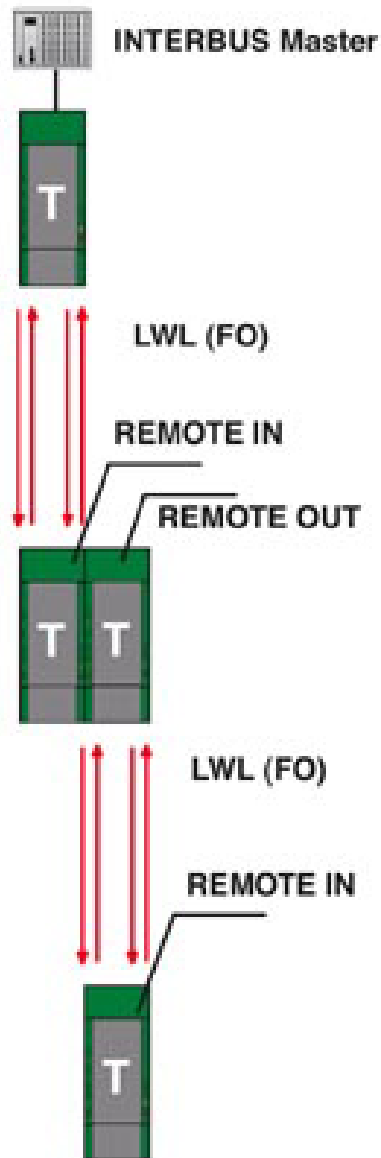


Redundant structure

2708384

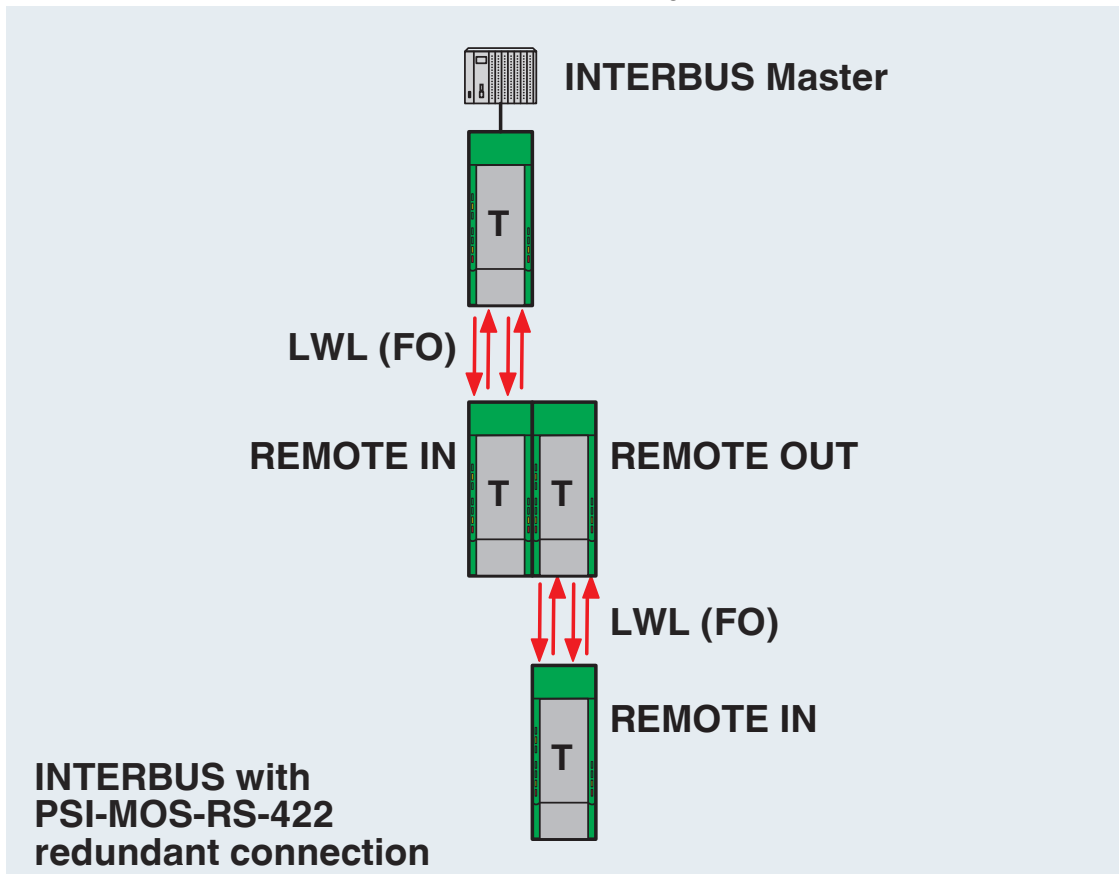
<https://www.phoenixcontact.com/us/products/2708384>

Application drawing



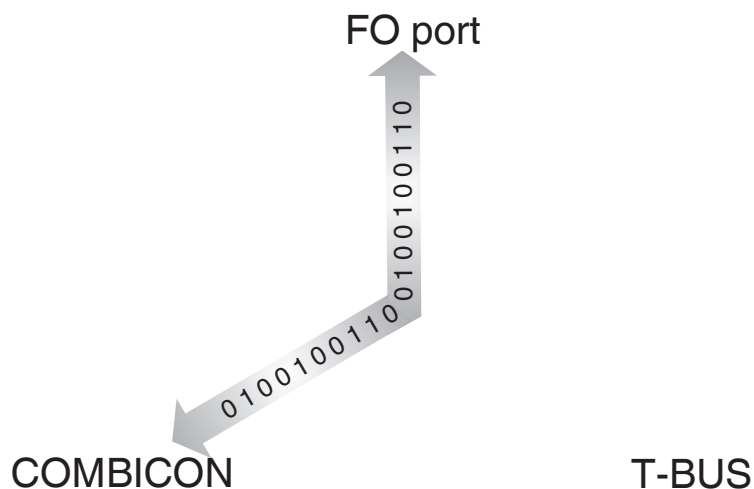
INTERBUS with PSI-MOS-RS-422
Redundant connection

Functional drawing



INTERBUS with PSI-MOS-RS-422
Redundant connection

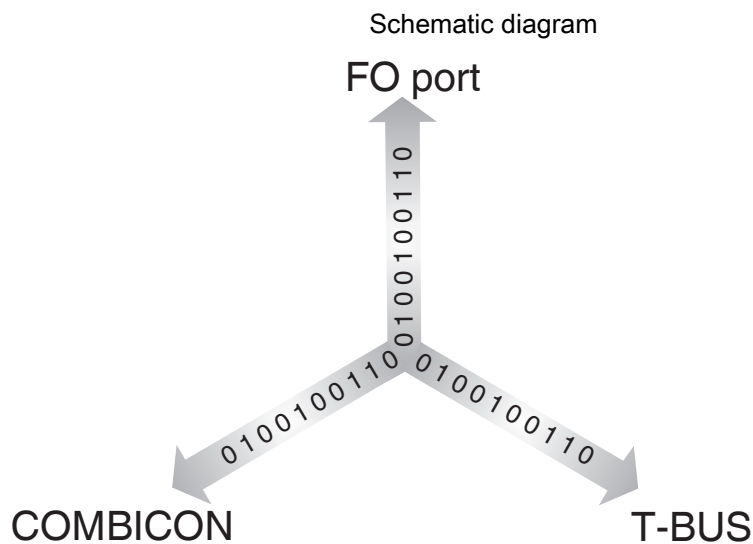
Schematic diagram



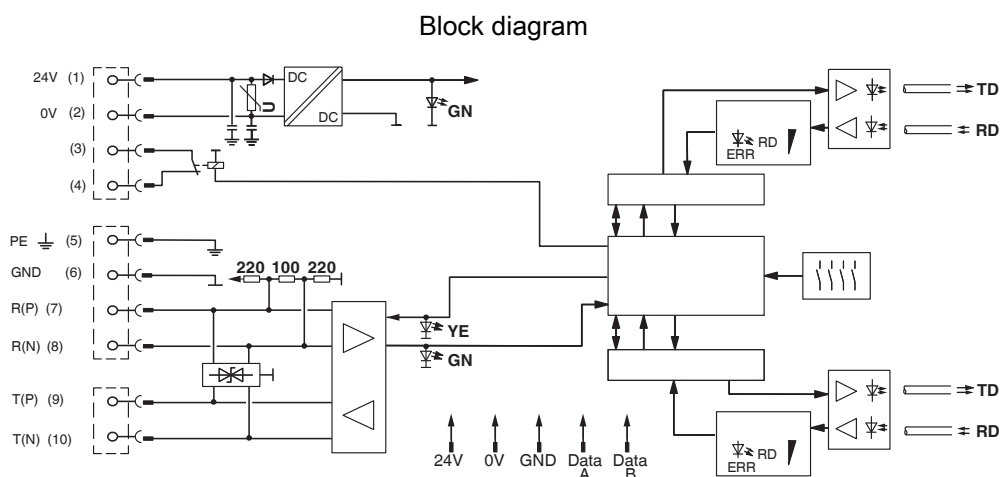
Port assignment for point-to-point connections

2708384

<https://www.phoenixcontact.com/us/products/2708384>



Port assignment in star structures



*) only with PSI-MOS.../FO...T

PSI-MOS-RS422/FO 660 T - FO converters



2708384

<https://www.phoenixcontact.com/us/products/2708384>

Classifications

ECLASS

ECLASS-13.0

19170411

ETIM

ETIM 9.0

EC001467

UNSPSC

UNSPSC 21.0

43201500

2708384

<https://www.phoenixcontact.com/us/products/2708384>

Environmental product compliance

EU RoHS

Fulfills EU RoHS substance requirements	Yes
Exemption	7(a), 7(c)-I

China RoHS

Environment friendly use period (EFUP)	EFUP-50
	An article-related China RoHS declaration table can be found in the download area for the respective article under "Manufacturer declaration". For all articles with EFUP-E, no China RoHS declaration table issued and required.

EU REACH SVHC

REACH candidate substance (CAS No.)	Lead(CAS: 7439-92-1)
SCIP	e65119d8-3217-44a0-9b38-a276edf1e472

Phoenix Contact 2026 © - all rights reserved
<https://www.phoenixcontact.com>

Phoenix Contact USA
 586 Fulling Mill Road
 Middletown, PA 17057, United States
 (+717) 944-1300
info@phoenixcon.com