

# SUBCON-PLUS-PROFIB/PG/SC2 - D-SUB bus connector



2708245

<https://www.phoenixcontact.com/us/products/2708245>

Please be informed that the data shown in this PDF document is generated from our online catalog. Please find the complete data in the user documentation. Our general terms of use for downloads are valid.



D-SUB connector, 9-pos., pin, 35° cable outlet, bus system: PROFIBUS DP up to 12 Mbps with PG D-SUB socket for connecting a programming device, termination resistor can be switched on via slide switch, pin assignment: 3, 5, 6, 8; screw connection terminal blocks

## Product description

The D-SUB series, **SUBCON-PLUS-PROFIB/...** was specially designed for use in PROFIBUS systems up to 12 Mbps. Under field conditions, it allows convenient and fast connection of the incoming and outgoing bus cable. The terminating resistor is already integrated in all versions. It can be connected externally by means of a slide switch. At the same time, the outgoing bus segment is switched off. This makes it easy to start up segment by segment while incorrect terminations are avoided. A special feature of the 35° angled connector is that the internal connection unit can be turned round. Whether the cable is to be inserted from the right or left can thus be decided on-site.

## Your advantages

- Termination resistor can be connected
- Screw connection
- 35° cable outlet
- Change to the D-SUB orientation through a reversible connection block
- Metal housing for high level of immunity to interference at maximum transmission speed
- Vibration and shock resistance in accordance with EN 50155
- Suitable for all common Fast Connect PROFIBUS cables and RS-485 bus lines

## Commercial data

|                                      |               |
|--------------------------------------|---------------|
| Item number                          | 2708245       |
| Packing unit                         | 1 pc          |
| Minimum order quantity               | 1 pc          |
| Sales key                            | DN10          |
| Product key                          | DNC531        |
| GTIN                                 | 4017918960490 |
| Weight per piece (including packing) | 40.6 g        |
| Weight per piece (excluding packing) | 34 g          |
| Customs tariff number                | 85366990      |
| Country of origin                    | DE            |

# SUBCON-PLUS-PROFIB/PG/SC2 - D-SUB bus connector



2708245

<https://www.phoenixcontact.com/us/products/2708245>

## Technical data

### Notes

#### Note on application

|                     |                         |
|---------------------|-------------------------|
| Note on application | Only for industrial use |
|---------------------|-------------------------|

#### Utilization restriction

|            |   |
|------------|---|
| CCCex note | Use in potentially explosive areas is not permitted in China. |
|------------|---|

### Product properties

|                |  |
|----------------|--|
| Product type   | Data plug  |
| MTTF           | 6706 Years (SN 29500 standard, temperature 25°C, operating cycle 21%)    |
|                | 1817 Years (SN 29500 standard, temperature 40°C, operating cycle 34.25%) |
|                | 155 Years (SN 29500 standard, temperature 40°C, operating cycle 100%)    |
| Pin assignment | 3, 5, 6, 8   |

### Electrical properties

|   |           |
|---|-----------|
| Maximum power dissipation for nominal condition | 0.025 W   |
| Nominal voltage $U_N$                           | 5 V AC/DC |
| Nominal current $I_N$                           | 100 mA    |
| Transmission medium                             | Copper    |

### Connection data

#### D-SUB connection

|                   |                 |
|-------------------|-----------------|
| Connection method | D-SUB connector |
|-------------------|-----------------|

#### PCB connection

|  |                      |
|--|----------------------|
| Connection method                          | Screw connection     |
| Stripping length                           | 5 mm                 |
| Conductor cross-section, rigid min.        | 0.14 mm <sup>2</sup> |
| Conductor cross-section, rigid max.        | 1.5 mm <sup>2</sup>  |
| Conductor cross-section flexible min.      | 0.14 mm <sup>2</sup> |
| Conductor cross-section flexible max.      | 1 mm <sup>2</sup>    |
| Single-wire/terminal point, rigid AWG min. | 26                   |
| Single-wire/terminal point, rigid AWG max. | 16                   |
| Min. AWG conductor cross-section, flexible | 26                   |
| Max. AWG conductor cross-section, flexible | 18                   |
| Tightening torque                          | 0.22 Nm ... 0.25 Nm  |

#### Programming connection

|                   |              |
|-------------------|--------------|
| Connection method | D-SUB socket |
|-------------------|--------------|

# SUBCON-PLUS-PROFIB/PG/SC2 - D-SUB bus connector



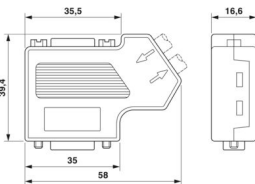
2708245

<https://www.phoenixcontact.com/us/products/2708245>

## Interfaces

|            |             |
|------------|-------------|
| Bus system | PROFIBUS DP |
| Signal     | PROFIBUS    |

## Dimensions

|                     |  |
|---------------------|--|
| Dimensional drawing |  |
| Width               | 16.6 mm  |
| Height              | 39.4 mm  |
| Length              | 58 mm  |

## Material specifications

|                    |                            |
|--------------------|----------------------------|
| Color (Housing)    | white aluminium (RAL 9006) |
| Material (Housing) | ABS (metal-plated)         |

## Cable/line

|                         |                                       |
|-------------------------|---------------------------------------|
| External cable diameter | 7.6 mm ... 8.4 mm (Incoming bus line) |
|-------------------------|---------------------------------------|

## Mechanical properties

### Mechanical data

|                             |          |
|-----------------------------|----------|
| Insertion/withdrawal cycles | > 200    |
| Fixing screws               | 4-40 UNC |
| Tightening torque           | 0.4 Nm   |

## Mechanical tests

|  |   |
|--|---|
| Vibration resistance in accordance with EN 60068-2-6/IEC 60068-2-6 | Operation: 5g, 10...150 Hz, 2.5 h, in XYZ direction |
| Shock in accordance with EN 60068-2-27/IEC 60068-2-27              | Operation: 15g, 11 ms period, half-sine shock pulse |

## Environmental and real-life conditions

### Ambient conditions

|  |  |
|--|--|
| Degree of protection                     | IP40   |
| Ambient temperature (operation)          | -20 °C ... 75 °C   |
| Ambient temperature (storage/transport)  | -25 °C ... 80 °C   |
| Altitude                                 | ≤ 5000 m (For restrictions, see the manufacturer's declaration for altitude operation) |
| Permissible humidity (operation)         | 10 % ... 95 % (non-condensing)   |
| Permissible humidity (storage/transport) | 5 % ... 95 % (non-condensing)  |

# SUBCON-PLUS-PROFIB/PG/SC2 - D-SUB bus connector



2708245

<https://www.phoenixcontact.com/us/products/2708245>

## Approvals

### ATEX

|                |   |
|----------------|---|
| Identification | Ⓜ II 3 G Ex ec IIC T4 Gc  |
| Certificate    | PxCIF15ATEX2744348X   |
| Note           | Please follow the special installation instructions in the documentation! |

### UKEX

|                |                          |
|----------------|--------------------------|
| Identification | Ⓜ II 3 G Ex ec IIC T4 Gc |
| Certificate    | PxCIMA22UKEX2744348X     |

### Corrosive gas test

|                |                                  |
|----------------|----------------------------------|
| Identification | ISA-S71.04-1985 G3 Harsh Group A |
|----------------|----------------------------------|

## Standards and regulations

|   |                    |
|---|--------------------|
| Free from substances that could impair the application of coating | VDMA 24364:2018-05 |
|---|--------------------|

# SUBCON-PLUS-PROFIB/PG/SC2 - D-SUB bus connector

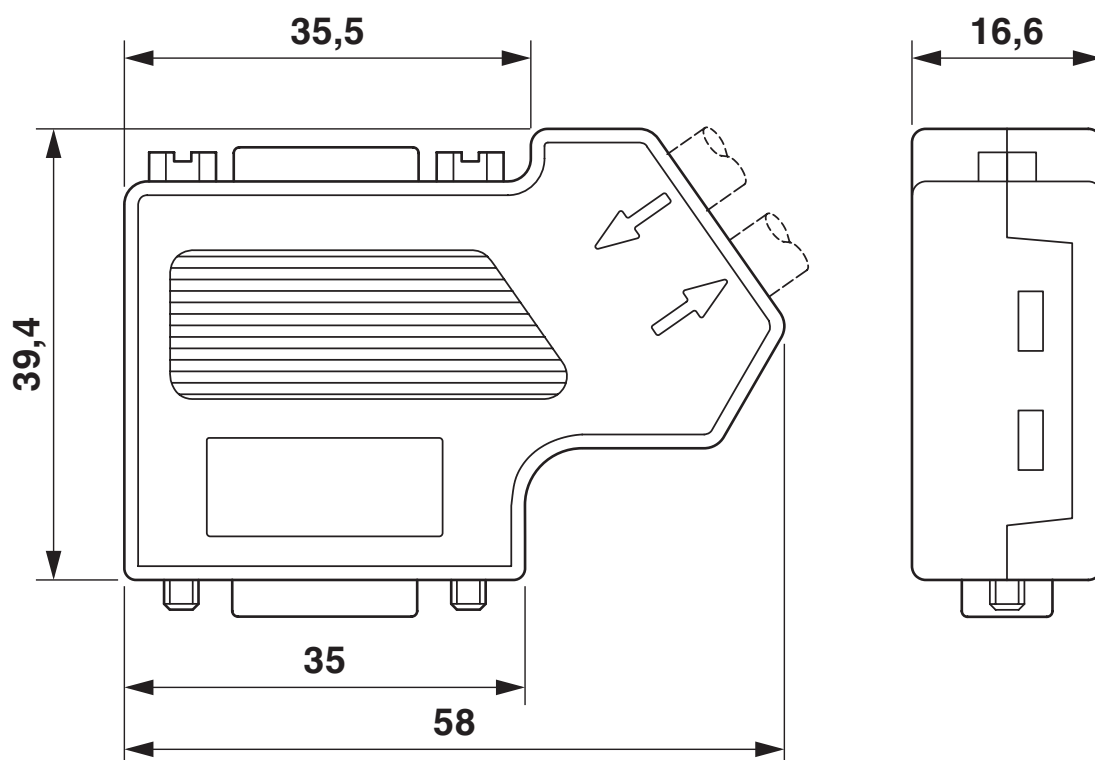


2708245

<https://www.phoenixcontact.com/us/products/2708245>

## Drawings

Dimensional drawing



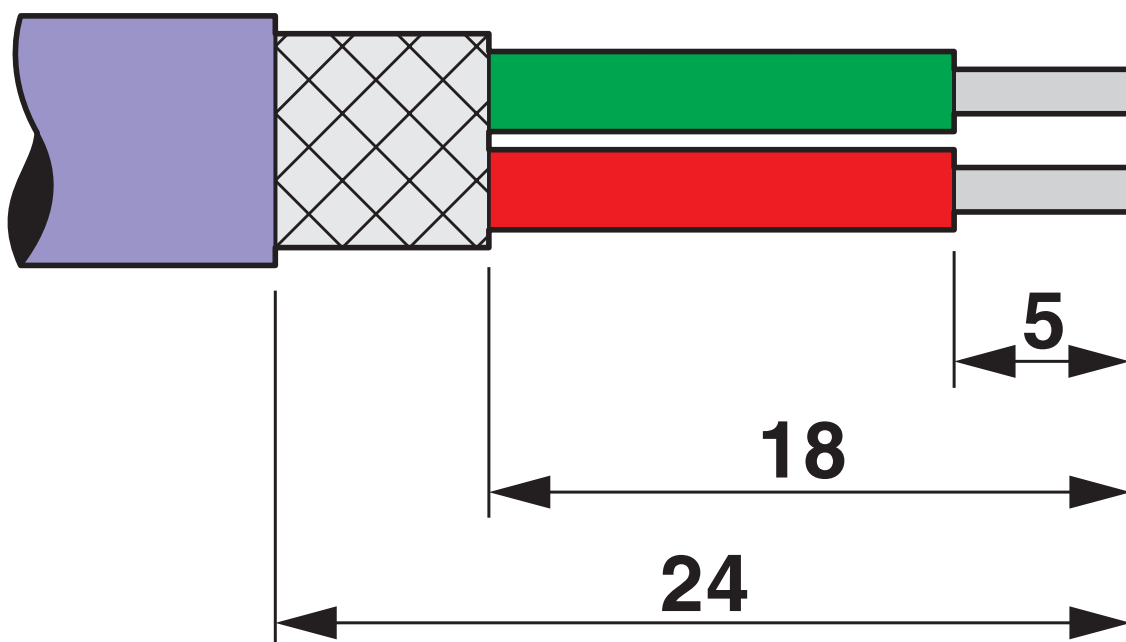
Dimensional drawing

# SUBCON-PLUS-PROFIB/PG/SC2 - D-SUB bus connector

2708245

<https://www.phoenixcontact.com/us/products/2708245>

Schematic diagram



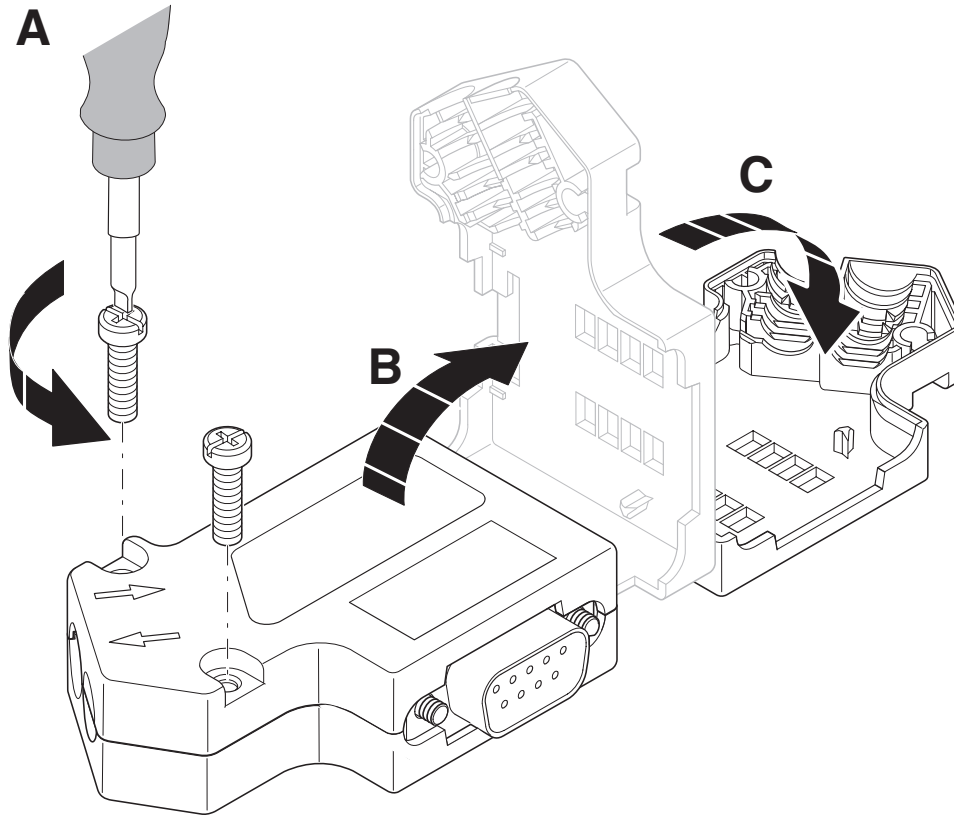
Stripping specifications

# SUBCON-PLUS-PROFIB/PG/SC2 - D-SUB bus connector

2708245

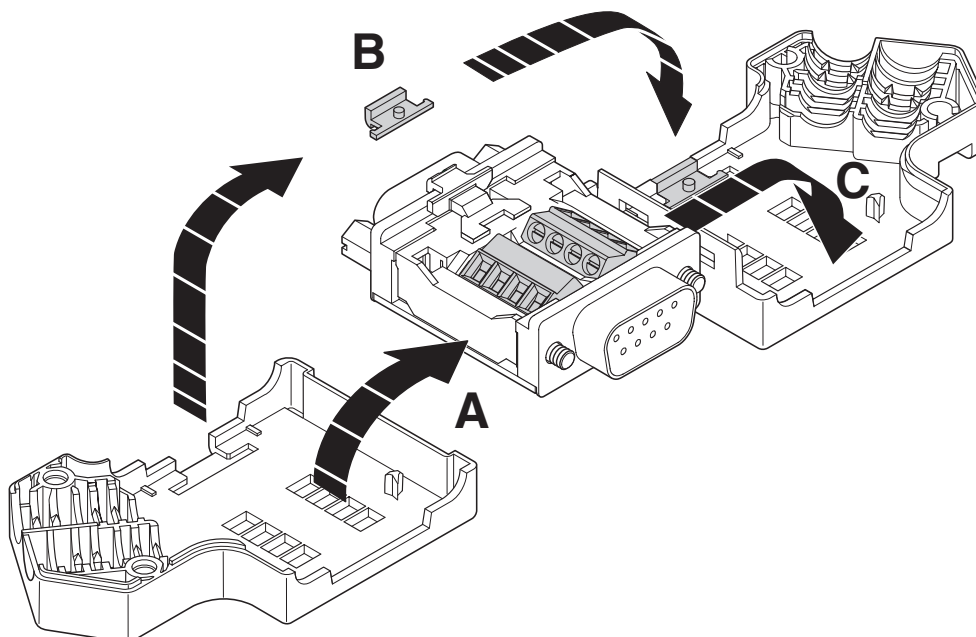
<https://www.phoenixcontact.com/us/products/2708245>

Schematic diagram



Right-hand side cable entry

Schematic diagram



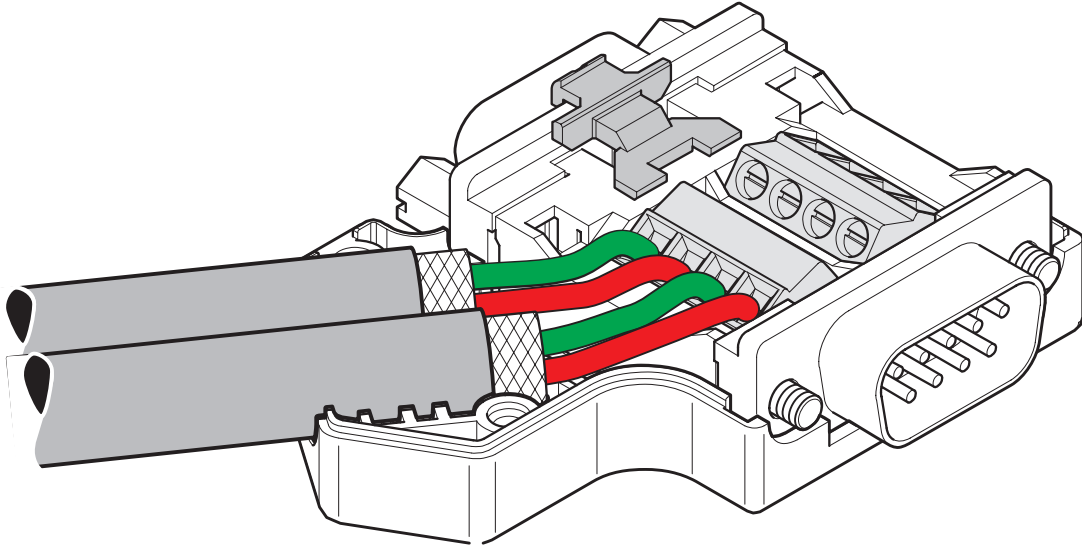
Right-hand side cable entry

# SUBCON-PLUS-PROFIB/PG/SC2 - D-SUB bus connector

2708245

<https://www.phoenixcontact.com/us/products/2708245>

Schematic diagram



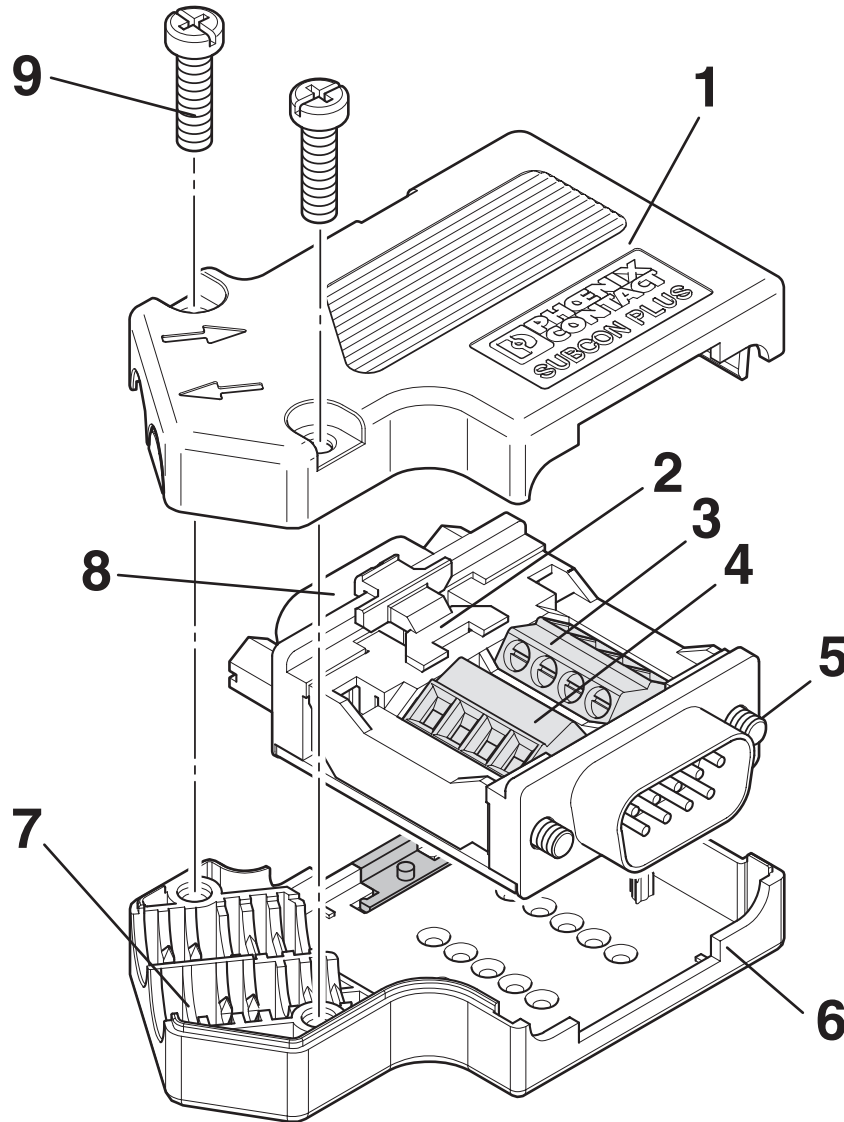
Left-hand side cable entry

# SUBCON-PLUS-PROFIB/PG/SC2 - D-SUB bus connector

2708245

<https://www.phoenixcontact.com/us/products/2708245>

Schematic diagram



Function elements

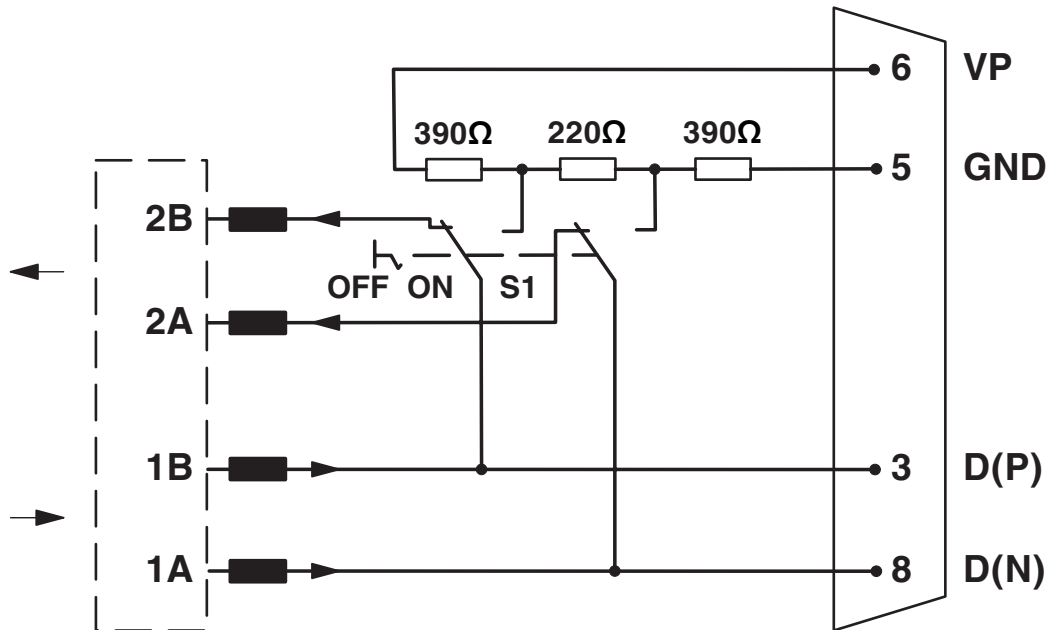
# SUBCON-PLUS-PROFIB/PG/SC2 - D-SUB bus connector



2708245

<https://www.phoenixcontact.com/us/products/2708245>

Circuit diagram



Functional diagram of the connector range  
SUBCON-PLUS-PROFIB/...

# SUBCON-PLUS-PROFIB/PG/SC2 - D-SUB bus connector



2708245

<https://www.phoenixcontact.com/us/products/2708245>

## Approvals

To download certificates, visit the product detail page: <https://www.phoenixcontact.com/us/products/2708245>



**cUL Recognized**  
Approval ID: E238705



**UL Recognized**  
Approval ID: E238705



**CSA**  
Approval ID: 2437602

# SUBCON-PLUS-PROFIB/PG/SC2 - D-SUB bus connector



2708245

<https://www.phoenixcontact.com/us/products/2708245>

## Classifications

### ECLASS

|             |          |
|-------------|----------|
| ECLASS-13.0 | 27440302 |
| ECLASS-15.0 | 27440322 |

### ETIM

|           |          |
|-----------|----------|
| ETIM 10.0 | EC001132 |
|-----------|----------|

### UNSPSC

|             |          |
|-------------|----------|
| UNSPSC 21.0 | 39121400 |
|-------------|----------|

# SUBCON-PLUS-PROFIB/PG/SC2 - D-SUB bus connector



2708245

<https://www.phoenixcontact.com/us/products/2708245>

## Environmental product compliance

### EU RoHS

|   |        |
|---|--------|
| Fulfills EU RoHS substance requirements | Yes    |
| Exemption                               | 7(c)-I |

### China RoHS

|  |  |
|--|--|
| Environment friendly use period (EFUP) | EFUP-E                                   |
|  | No hazardous substances above the limits |

### EU REACH SVHC

|                                     |                            |
|-------------------------------------|----------------------------|
| REACH candidate substance (CAS No.) | No substance above 0.1 wt% |
|-------------------------------------|----------------------------|

### EF3.1 Climate Change

|         |               |
|---------|---------------|
| CO2e kg | 0.587 kg CO2e |
|---------|---------------|

Phoenix Contact 2026 © - all rights reserved

<https://www.phoenixcontact.com>

Phoenix Contact USA  
586 Fulling Mill Road  
Middletown, PA 17057, United States  
(+717) 944-1300  
[info@phoenixcon.com](mailto:info@phoenixcon.com)