

PSI-DATA/FAX-MODEM/RS232 - Modem



2708203

<https://www.phoenixcontact.com/us/products/2708203>

Please be informed that the data shown in this PDF document is generated from our online catalog. Please find the complete data in the user documentation. Our general terms of use for downloads are valid.



Industrial analog modem for assembly on EN DIN rails. For dial-up line/permanent line operation. Serial RS-232 interface, 3-way electrical isolation, alarm input/output, supply voltage 24 V AC/DC.

Your advantages

- Callback function
- Configurable, selective call acceptance
- Connection establishment with password protection
- Integrated surge protection to ensure high system availability
- High-quality electrical isolation

Commercial data

Item number	2708203
Packing unit	1 pc
Note	Made to order (non-returnable)
Sales key	NULL
Product key	DNC411
GTIN	4017918932602
Weight per piece (including packing)	330.1 g
Weight per piece (excluding packing)	330.1 g
Customs tariff number	85176200
Country of origin	DE

Technical data

Product properties

Product type	Modem
--------------	-------

Electrical properties

Electrical isolation	VCC // PSTN // V.24 (RS-232)
Maximum power dissipation for nominal condition	2.4 W
Mains type	Fixed-line network
	Permanent line
Test voltage data interface/power supply	1.5 kV
Test voltage data interfaces	1500 V

Supply

Supply voltage range	10 V DC ... 60 V DC (via pluggable COMBICON screw terminal block)
	16 V AC ... 40 V AC (via pluggable COMBICON screw terminal block)
Nominal supply voltage	24 V DC $\pm 5\%$ (as an alternative or redundant, via backplane bus contact and system current supply)
Typical current consumption	< 100 mA (24 V DC)
	< 40 mA

Input data

Digital

Description of the input	Digital input
Number of inputs	1
Voltage input signal	9 V DC ... 48 V DC (floating contacts)
Current input signal	≤ 5 mA

Output data

Switching

Output name	Relay output
Number of outputs	1
Contact switching type	N/O contact
Maximum switching voltage	60 V DC
	42 V AC
Max. switching current	1 A

Connection data

Supply

Tightening torque	0.56 Nm ... 0.79 Nm
-------------------	---------------------

Interfaces

PSI-DATA/FAX-MODEM/RS232 - Modem



2708203

<https://www.phoenixcontact.com/us/products/2708203>

Signal	RS-232
--------	--------

Data: V.24 (RS-232) interface in acc. with ITU-T V.28, EIA/TIA-232, DIN 66259-1

Serial transmission speed	Automatic data rate detection (default) or fixed setting to 300, 1200, 2400, 4800, 9600, 19200, 38400, 57600, 115200 bps, can be set via software
Connection method	D-SUB 9 plug
Transmission length	15 m
File format/coding	Serial asynchronous UART/NRZ, 7/8 data, 1/2 stop, 1 parity, 10/11-bit character length
Data flow control/protocols	Software handshake, Xon/Xoff, direct mode or hardware handshake RTS/CTS

Data: PSTN-Port (a/b-Line)

Connection method	RJ12, 6-pos., or pluggable COMBICON screw terminal block
Dialing procedure	Multiple frequency/pulse dialing, configuration via software

Dimensions

Width	35 mm
Height	99 mm
Depth	114.5 mm

Material specifications

Color	green
Material (Housing)	PA V0

Environmental and real-life conditions

Ambient conditions

Degree of protection	IP20
Ambient temperature (operation)	0 °C ... 55 °C
Altitude	≤ 5000 m (For restrictions, see the manufacturer's declaration for altitude operation)

Approvals

Corrosive gas test

Identification	ISA-S71.04-1985 G3 Harsh Group A
----------------	----------------------------------

EMC data

Electromagnetic compatibility	Conformance with EMC Directive 2014/30/EU
Noise immunity	EN 61000-6-2:2005

Noise emission

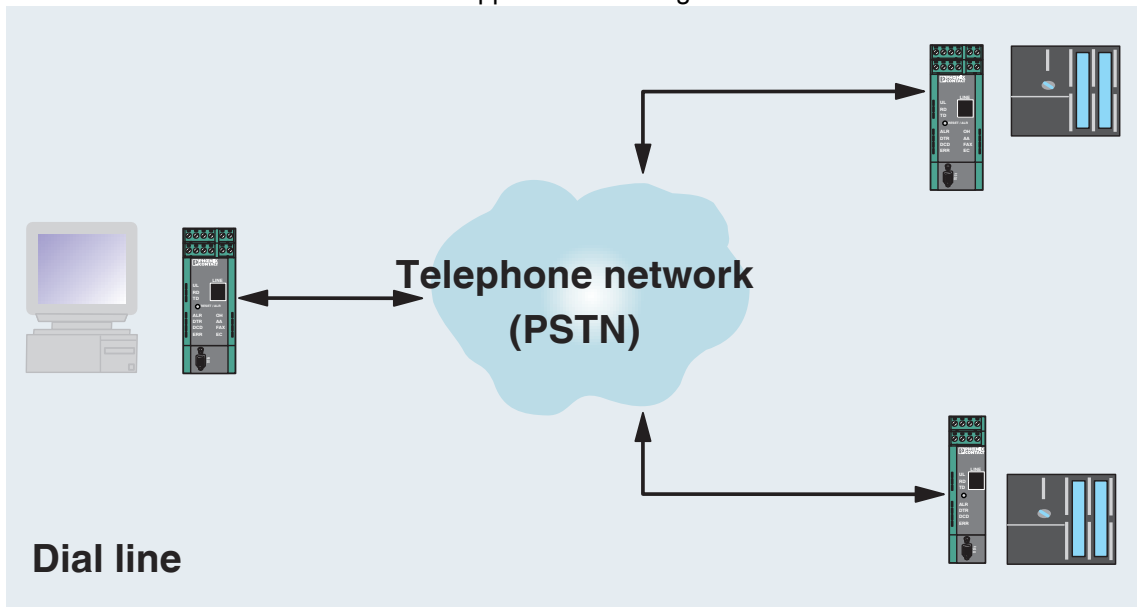
Standards/regulations	EN 55032
-----------------------	----------

Mounting

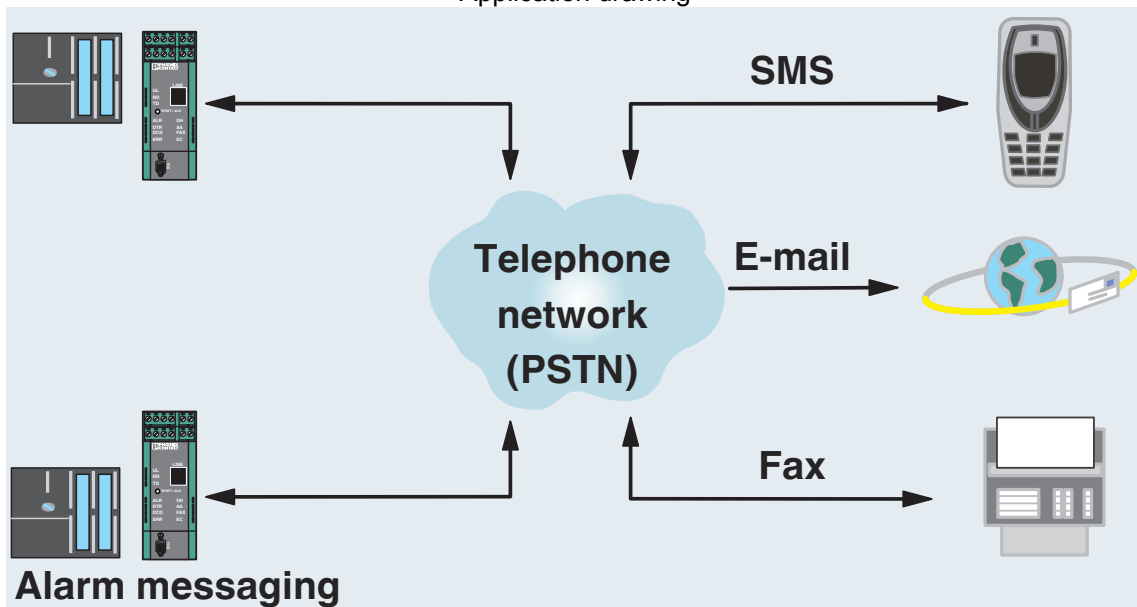
Mounting type	DIN rail mounting
---------------	-------------------

Drawings

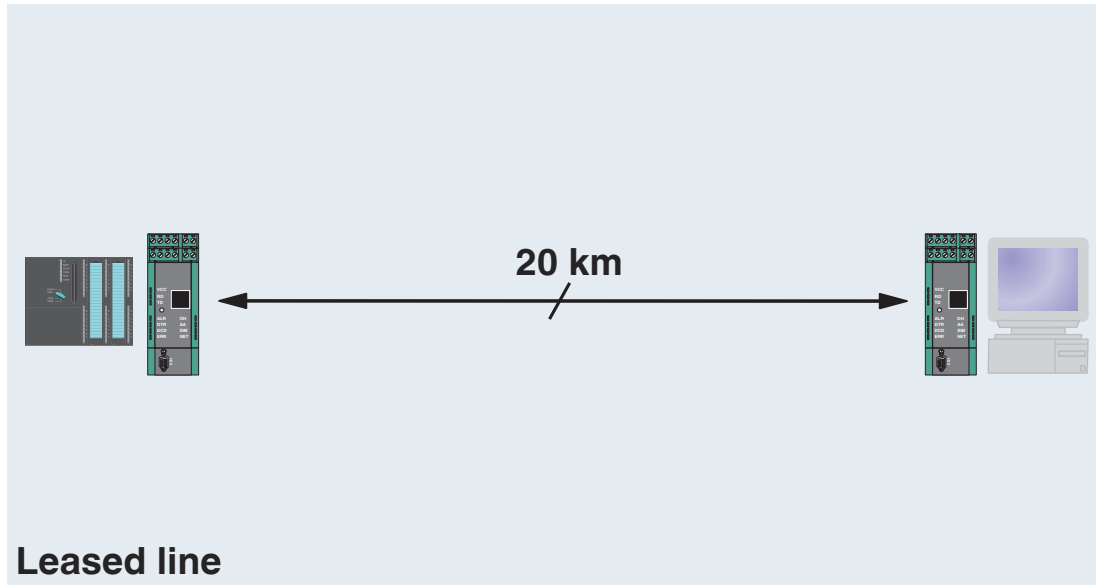
Application drawing



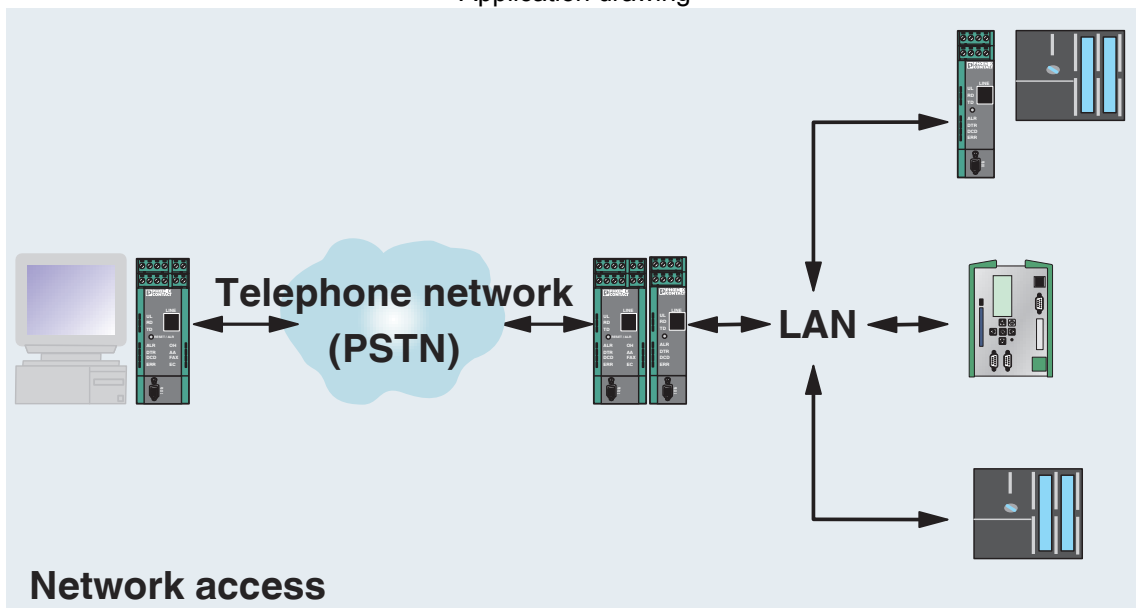
Application drawing



Application drawing



Application drawing



2708203

<https://www.phoenixcontact.com/us/products/2708203>

Environmental product compliance

China RoHS

Environment friendly use period (EFUP)	EFUP-50
	An article-related China RoHS declaration table can be found in the download area for the respective article under "Manufacturer declaration". For all articles with EFUP-E, no China RoHS declaration table issued and required.

EU REACH SVHC

REACH candidate substance (CAS No.)	No substance above 0.1 wt%
-------------------------------------	----------------------------

Phoenix Contact 2026 © - all rights reserved
<https://www.phoenixcontact.com>

Phoenix Contact USA
586 Fulling Mill Road
Middletown, PA 17057, United States
(+717) 944-1300
info@phoenixcon.com