

FL MC 10/100BASE-T/FO G1300 SM - FO converters



2708177

<https://www.phoenixcontact.com/us/products/2708177>

Please be informed that the data shown in this PDF document is generated from our online catalog. Please find the complete data in the user documentation. Our general terms of use for downloads are valid.



FO converter, for converting 10/100 Base-T(X) to single mode fiberglass, (1300 nm), SC duplex FO connection, rail-mountable, supply 24 V DC

Commercial data

Item number	2708177
Packing unit	1 pc
Note	Made to order (non-returnable)
Sales key	NULL
Product key	DNC311
GTIN	4017918952723
Weight per piece (including packing)	173.7 g
Weight per piece (excluding packing)	161.63 g
Customs tariff number	85176200
Country of origin	DE

Technical data

Product properties

Product type	Media converter
MTBF	321 Years (Telcordia standard, 25°C temperature, 21% operating cycle (5 days a week, 8 hours a day))
	78 Years (Telcordia standard, 40°C temperature, 34.25% operating cycle (5 days a week, 12 hours a day))

Electrical properties

Electrical isolation	VCC // Ethernet
Test voltage data interface/power supply	1.5 kV _{rms} (50 Hz, 1 min.)
	1500 V

Supply

Nominal supply voltage	24 V DC ±20 % (via pluggable COMBICON screw terminal block)
	24 V DC ±5 % (as an alternative or redundant, via backplane bus contact and system current supply)
Typical current consumption	≤ 95 mA (24 V DC)
Protective circuit	Reverse polarity protection

Connection data

Supply

Connection method	COMBICON plug-in screw terminal block
-------------------	---------------------------------------

Interfaces

Signal	Ethernet
--------	----------

Data: optical FO

Transmission length incl. 3 dB system reserve	36 km (F-E 9/125 0.36 dB/km)
	32 km (F-E 9/125 0.4 dB/km)
	26 km (F-E 9/125 0.5 dB/km)
Connection method	SC duplex
Wavelength	1300 nm
Transmission medium	Single-mode fiberglass

Data: Ethernet interface, 10/100Base-T(X) in accordance with IEEE 802.3

Serial transmission speed	10/100 Mbps
Connection method	RJ45 jack, shielded
Transmission length	100 m (shielded twisted pair)
Transmission medium	Copper
Signal LEDs	Activity (yellow), Link status (green), 100 Mbps (green)
Auto-negotiation modes	optionally transparent via TP and FO (default) or locally on TP
Link through	Link down is automatically forwarded to the second connection
MDI-/MDI-X switchover	Built-in switch for line (1:1) and crossover connection

2708177

<https://www.phoenixcontact.com/us/products/2708177>

Dimensions

Width	22.5 mm
Height	99 mm
Depth	114.5 mm

Material specifications

Color (Housing)	green (RAL 6021)
Material (Housing)	PA V0

Cable/line

FO cable

Fiber types	9/125 µm
	Single-mode fiber
	Fiberglass

Environmental and real-life conditions

Ambient conditions

Degree of protection	IP20
Ambient temperature (operation)	0 °C ... 55 °C
Permissible humidity (operation)	30 % ... 95 % (non-condensing)

Approvals

ATEX

Identification	Ⓔ II 3 G Ex nAC IIC T4 X
Note	Please follow the special installation instructions in the documentation!

UL, USA/Canada

Identification	508 Recognized
----------------	----------------

EMC data

Electromagnetic compatibility	Conformance with EMC directive 89/336/EC
Noise immunity	EN 61000-6-2:2005

Noise emission

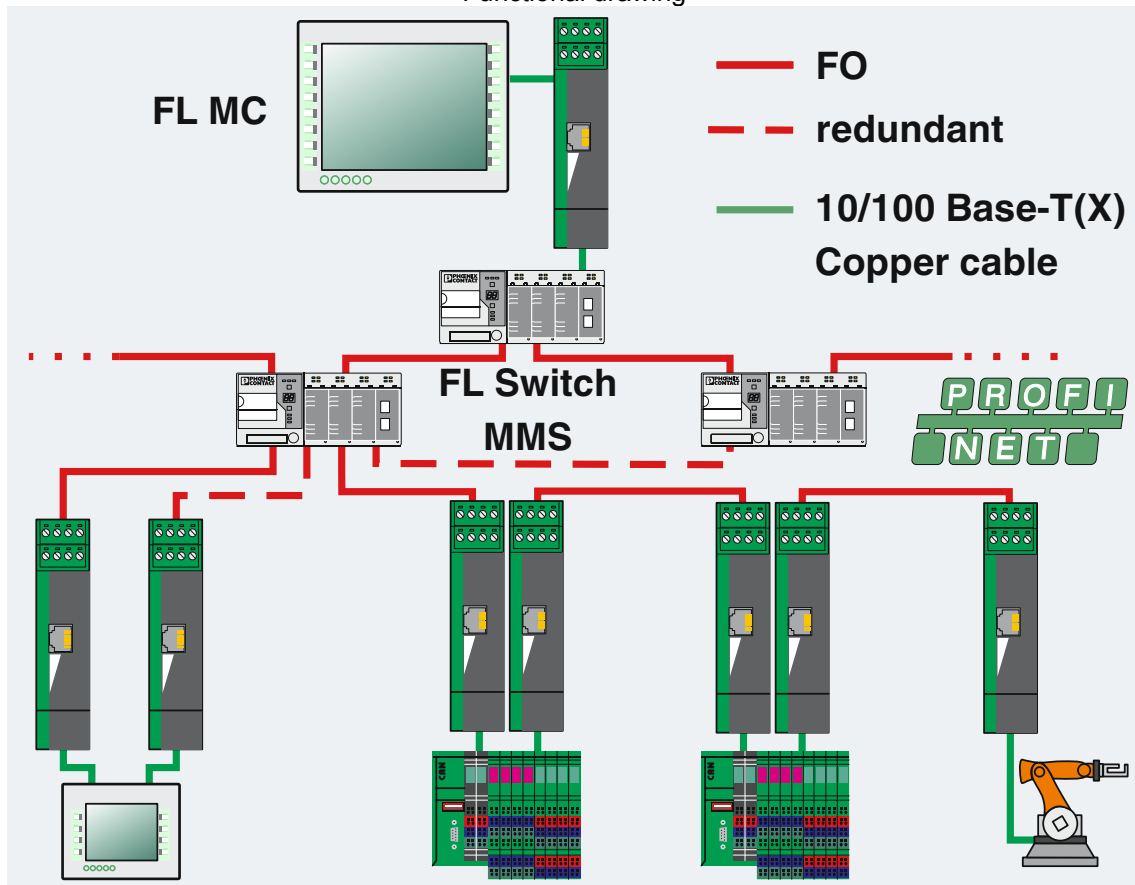
Standards/regulations	EN 50081-2
-----------------------	------------

Mounting

Mounting type	DIN rail mounting
---------------	-------------------

Drawings

Functional drawing



Star, linear, and redundant ring structure in combination with modular switches

FL MC 10/100BASE-T/FO G1300 SM - FO converters



2708177

<https://www.phoenixcontact.com/us/products/2708177>

Environmental product compliance

EU REACH SVHC

REACH candidate substance (CAS No.)	No substance above 0.1 wt%
-------------------------------------	----------------------------

Phoenix Contact 2026 © - all rights reserved

<https://www.phoenixcontact.com>

Phoenix Contact USA
586 Fulling Mill Road
Middletown, PA 17057, United States
(+717) 944-1300
info@phoenixcon.com