

# PP-RJ-SC - Patch panel

2703016

<https://www.phoenixcontact.com/us/products/2703016>

Please be informed that the data shown in this PDF document is generated from our online catalog. Please find the complete data in the user documentation. Our general terms of use for downloads are valid.



View from above right, cover open

Patch panel, RJ45 jack on screw terminal blocks, CAT5e, 10/100/1000 Mbps, DIN rail adapter, IP20, shield contacting with strain relief

## Product description

This product is the successor to FL-PP-RJ45-SC, item no. 2901643. Ethernet patch panels enable quick and easy connection between the field cabling and control cabinet cabling. The passive termination panels are a convenient alternative to the on-site assembly of RJ45 connectors.

## Your advantages

- Extended temperature range of -40 °C ... +75 °C
- Fast connection of the field cable
- Wiring space covered with front panel cover
- Tool-free shield contacting with strain relief
- PoE-capable in accordance with IEEE 802.3bt, type 4



## Commercial data

Item number	2703016
Packing unit	10 pc
Minimum order quantity	1 pc
Sales key	DN07
Product key	DNC334
GTIN	4055626462875
Weight per piece (including packing)	68.32 g

# PP-RJ-SC - Patch panel

2703016

<https://www.phoenixcontact.com/us/products/2703016>



Weight per piece (excluding packing)	66.69 g
Customs tariff number	85369010
Country of origin	DE

# PP-RJ-SC - Patch panel



2703016

<https://www.phoenixcontact.com/us/products/2703016>

## Technical data

### Notes

#### Note on application

Note on application	Only for industrial use
---------------------	-------------------------

#### Utilization restriction

CCCex note	Use in potentially explosive areas is not permitted in China.
------------	---

### Product properties

Product type	Patch panel
MTTF	105699 Years

#### Insulation characteristics

Overvoltage category	II
Pollution degree	2

### Electrical properties

Maximum power dissipation for nominal condition	0 W (passive module, no supply voltage required)
Rated insulation voltage	85 V DC

### Interfaces

Data: Ethernet interface, 10/100/1000Base-T(X) in accordance with IEEE 802.3

Serial transmission speed	10/100/1000 Mbps
Frequency range	125 MHz
Connection method	Screw connection
Note on the connection method	CAT5e
Tightening torque	0.22 Nm ... 0.25 Nm
Pin assignment	1:1
Transmission length	100 m (including patch cables)
Single conductor/terminal point, rigid	0.14 mm <sup>2</sup> ... 1.5 mm <sup>2</sup>
Single-wire/terminal point, flexible	0.14 mm <sup>2</sup> ... 1.5 mm <sup>2</sup>
Max. AWG conductor cross-section, flexible	16
Min. AWG conductor cross-section, flexible	28
Single-wire/terminal point, rigid AWG max.	16
Single-wire/terminal point, rigid AWG min.	28
Stripping length	5 mm
Transmission medium	Copper
Output nominal voltage	< 57 V DC
Maximum output power	60 W
Maximum output current	725 mA (Per channel)

Data: Ethernet interface, 10/100/1000Base-T(X) in accordance with IEEE 802.3

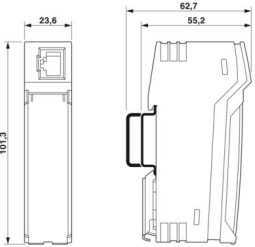
Connection method	RJ45 jack
-------------------	-----------

# PP-RJ-SC - Patch panel

2703016

<https://www.phoenixcontact.com/us/products/2703016>

## Dimensions

Dimensional drawing	
Width	23.8 mm
Height	101.3 mm
Depth	50 mm

## Material specifications

Color (Housing)	light gray (RAL 7035)
Material (Housing)	Plastic
Flammability rating according to UL 94	V0

## Cable/line

External cable diameter	5.5 mm ... 6.5 mm
-------------------------	-------------------

## Mechanical tests

Vibration resistance in accordance with EN 60068-2-6/IEC 60068-2-6	Operation: 10 Hz ... 57 Hz, amplitude $\pm 3.5$ mm, 57 Hz ... 150 Hz, 5g
Shock in accordance with EN 60068-2-27/IEC 60068-2-27	Operation: 30g for 11 ms, three shocks in each spatial direction
Continuous shock in accordance with EN 60068-2-27/IEC 60068-2-27	Operation: 10g for 16 ms, 1000 shocks in each spatial direction

## Environmental and real-life conditions

### Ambient conditions

Degree of protection	IP20 (Manufacturer's declaration)
Ambient temperature (operation)	-40 °C ... 75 °C
Ambient temperature (storage/transport)	-40 °C ... 85 °C
Altitude	$\leq 5000$ m (For restrictions, see the manufacturer's declaration for altitude operation)
Permissible humidity (operation)	10 % ... 95 % (non-condensing)

## Approvals

### CE

Certificate	CE-compliant
-------------	--------------

### UL

Identification	UL 61010 Listed
----------------	-----------------

# PP-RJ-SC - Patch panel



2703016

<https://www.phoenixcontact.com/us/products/2703016>

## Mounting

Mounting type	DIN rail mounting, stationary
Assembly note	The product can be snapped onto all 35 mm DIN rails in accordance with EN 60715.

# PP-RJ-SC - Patch panel

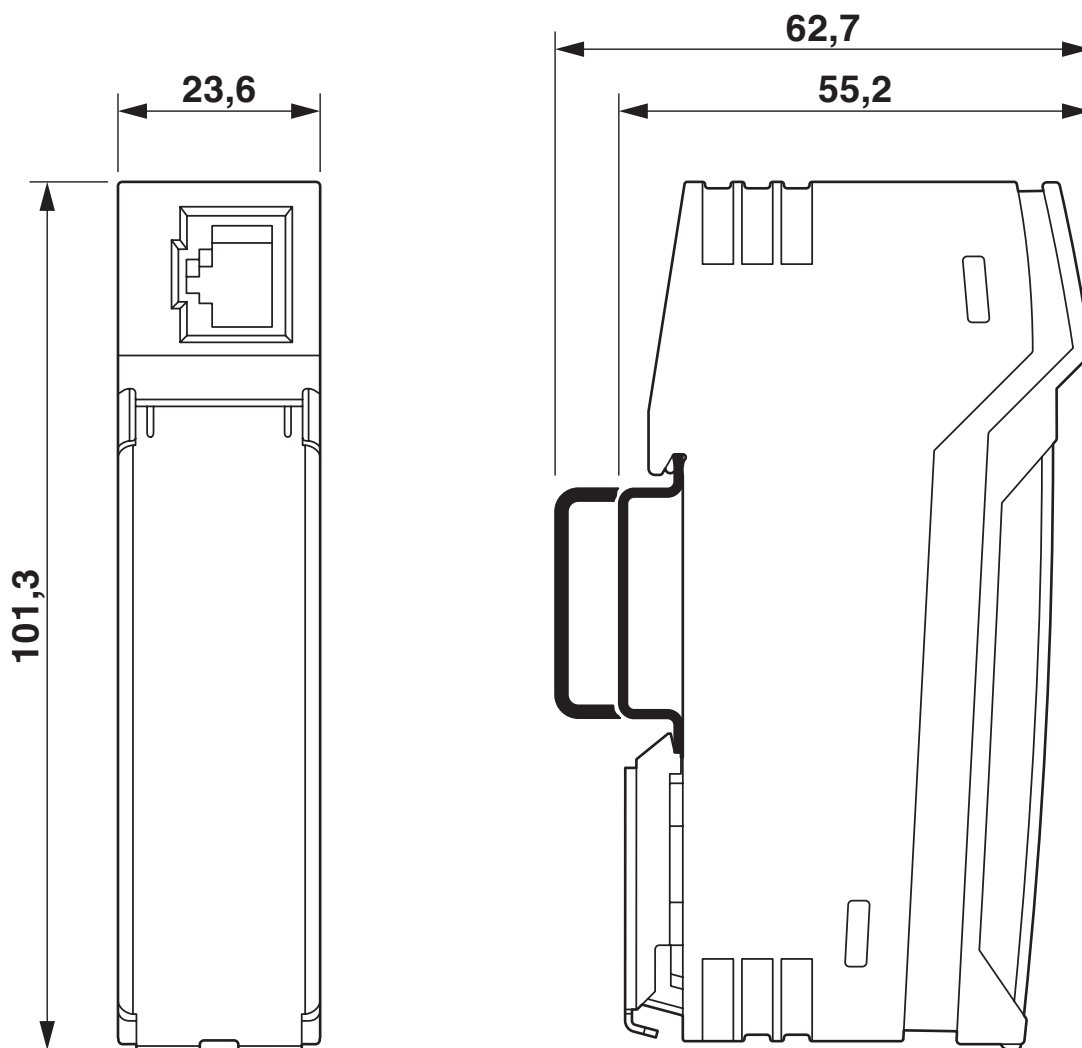
2703016

<https://www.phoenixcontact.com/us/products/2703016>



## Drawings

Dimensional drawing



Compact housing

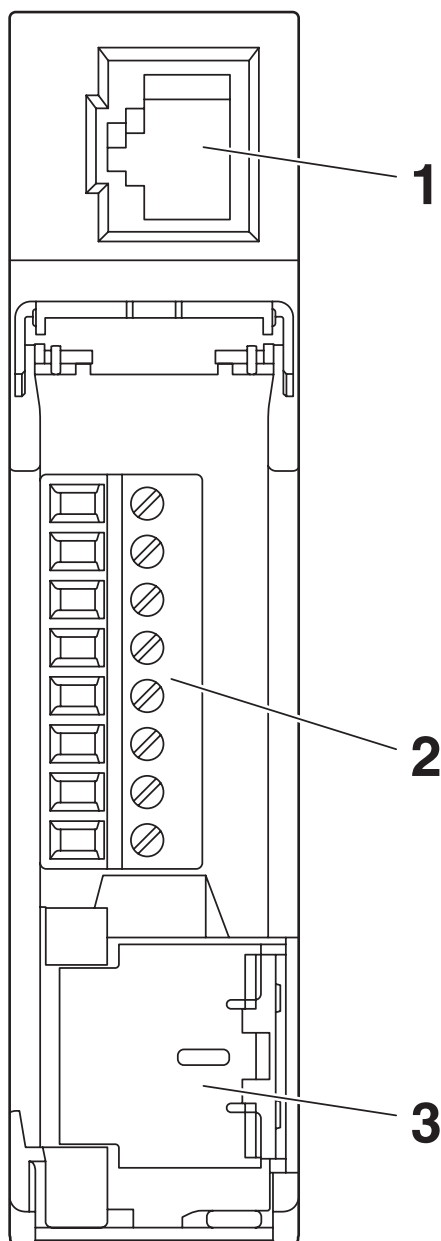
# PP-RJ-SC - Patch panel

2703016

<https://www.phoenixcontact.com/us/products/2703016>



Schematic diagram



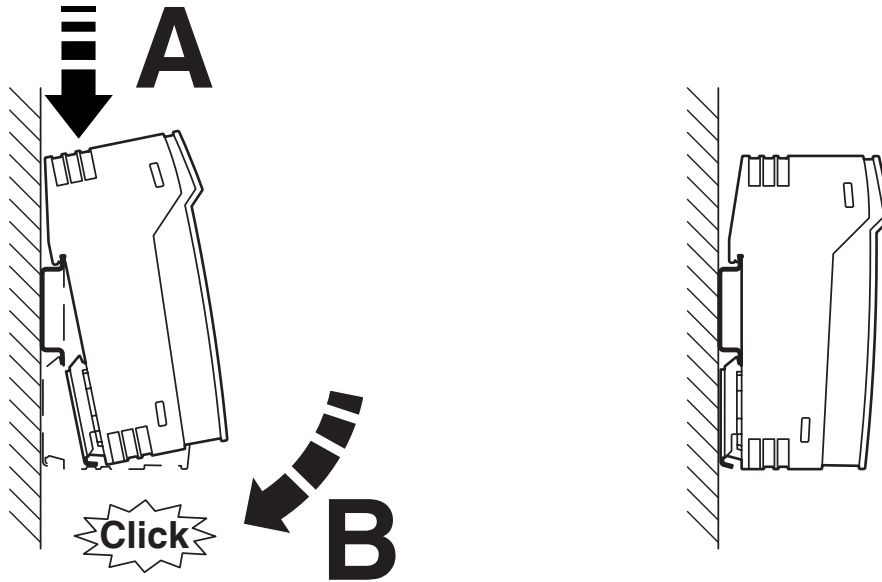
Front view

# PP-RJ-SC - Patch panel

2703016

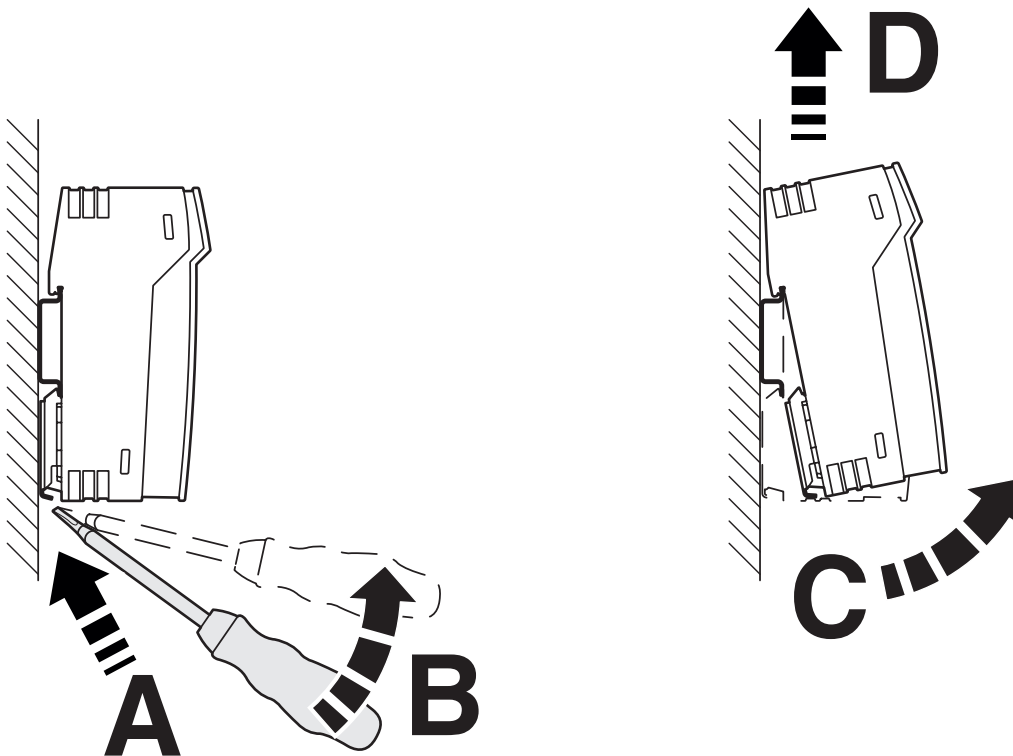
<https://www.phoenixcontact.com/us/products/2703016>

Schematic diagram



Mounting on a DIN rail

Schematic diagram



Removal

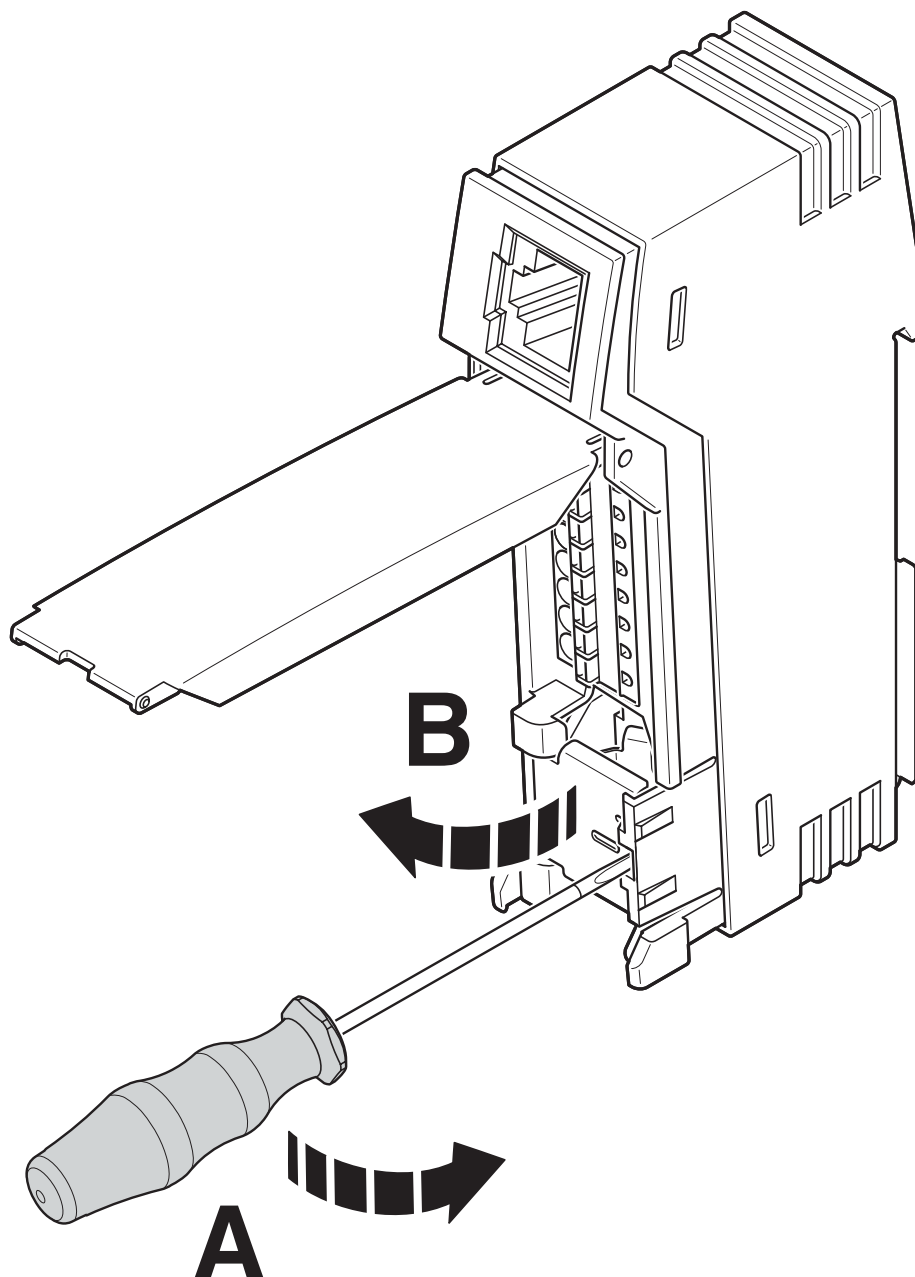
# PP-RJ-SC - Patch panel

2703016

<https://www.phoenixcontact.com/us/products/2703016>



Schematic diagram



Open shield contact spring

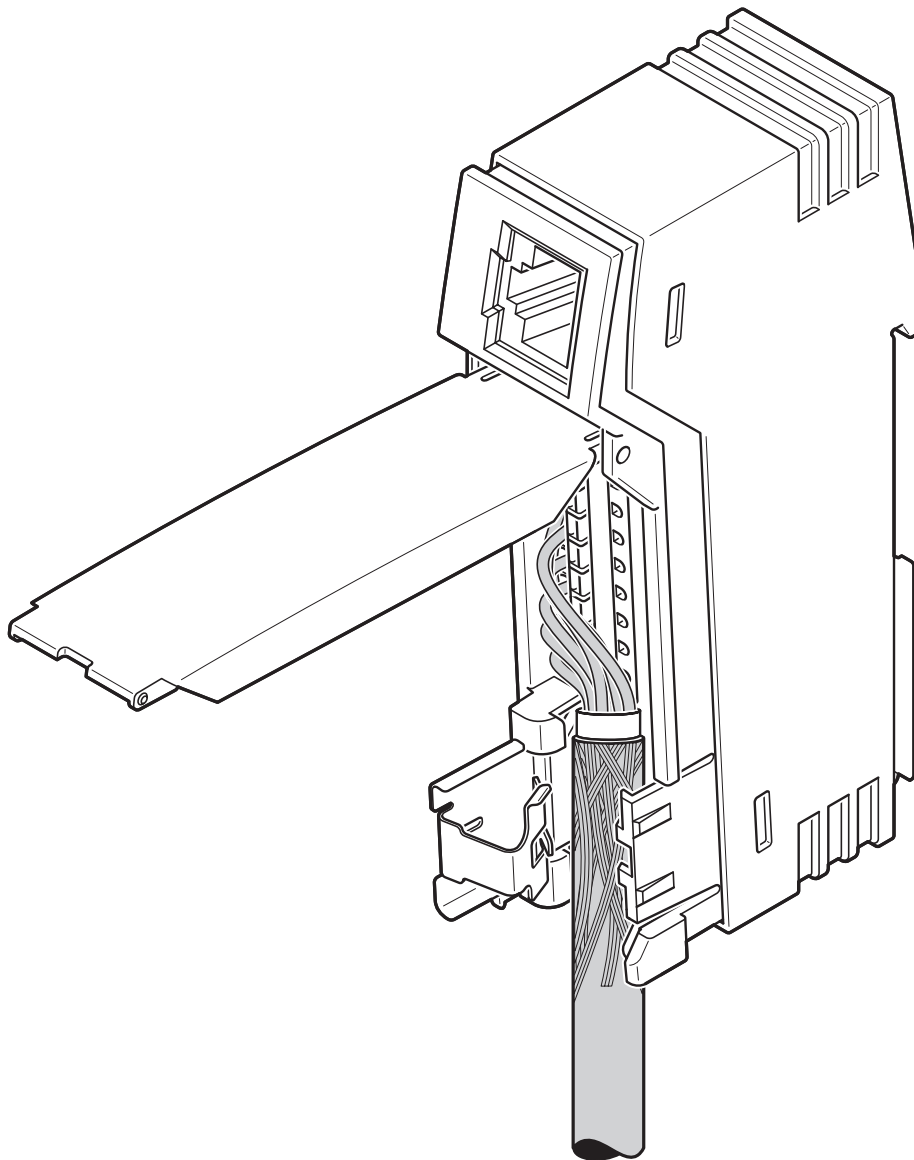
# PP-RJ-SC - Patch panel

2703016

<https://www.phoenixcontact.com/us/products/2703016>



## Schematic diagram



Inserting the cable

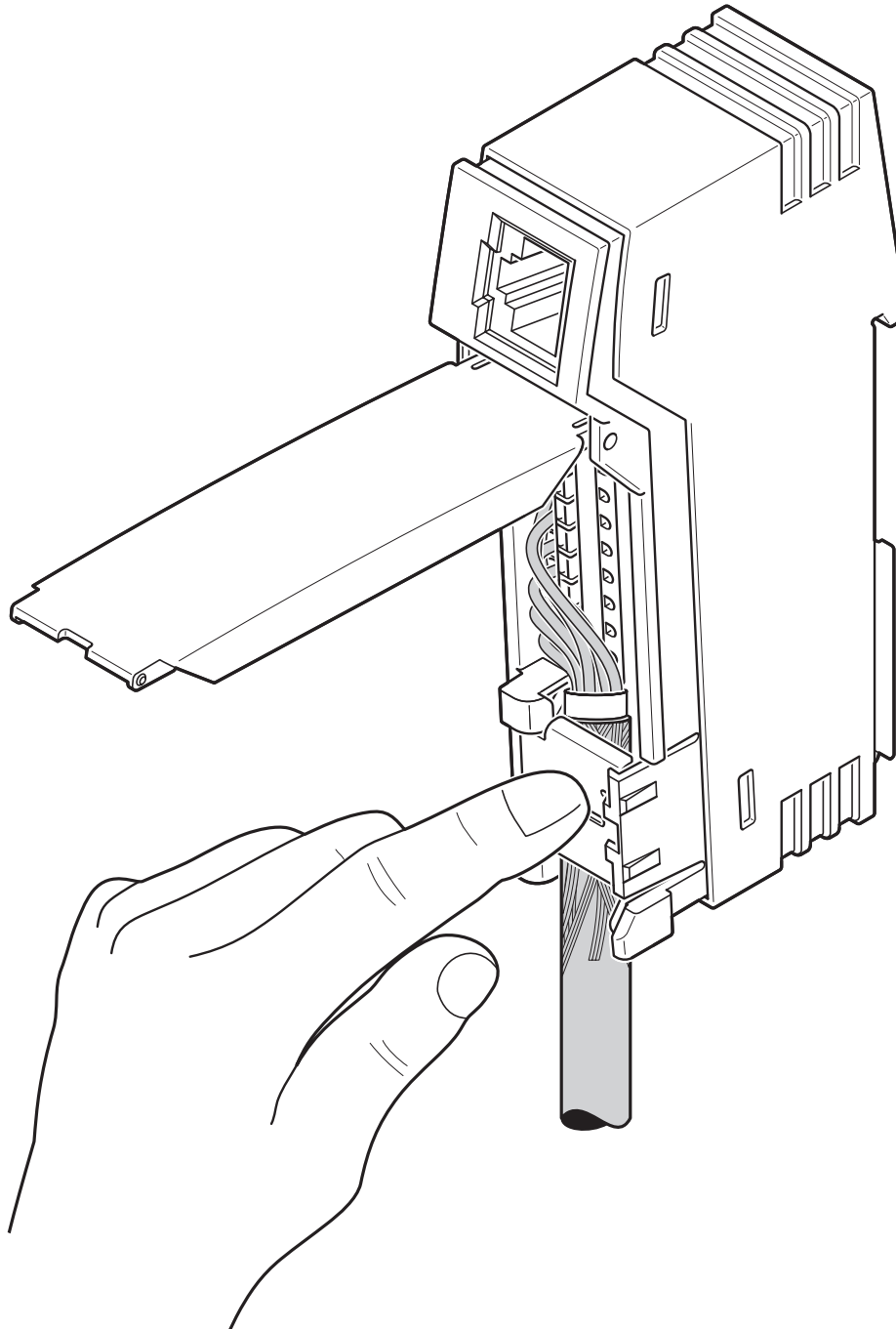
# PP-RJ-SC - Patch panel

2703016

<https://www.phoenixcontact.com/us/products/2703016>



Schematic diagram



Close shield contact spring

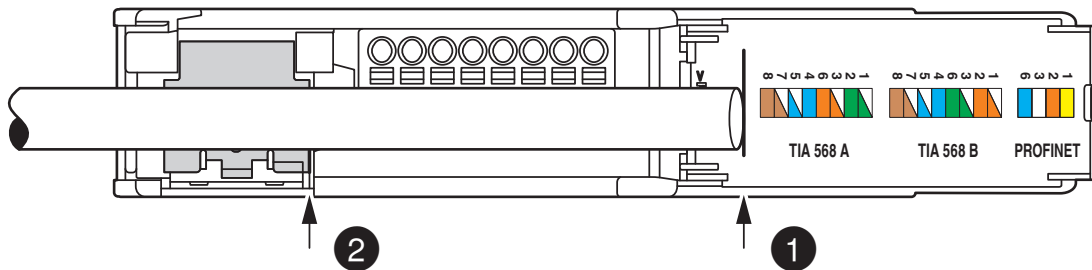
# PP-RJ-SC - Patch panel

2703016

<https://www.phoenixcontact.com/us/products/2703016>

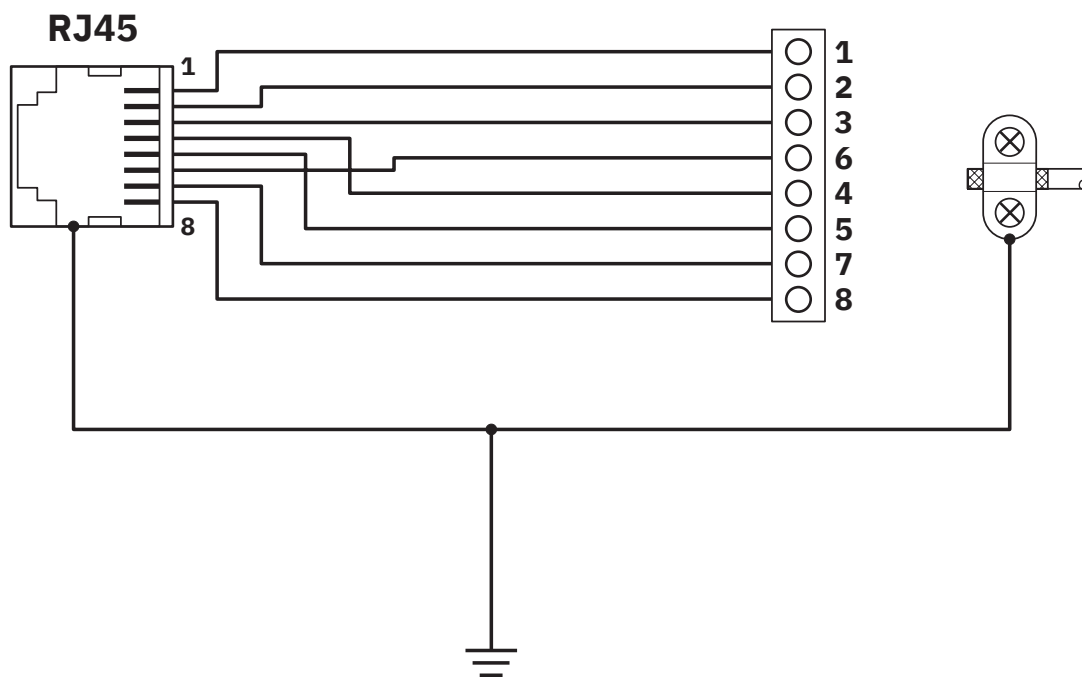


Schematic diagram



Stripping length

Circuit diagram



# PP-RJ-SC - Patch panel



2703016

<https://www.phoenixcontact.com/us/products/2703016>

## Approvals

To download certificates, visit the product detail page: <https://www.phoenixcontact.com/us/products/2703016>



**cULus Listed**

Approval ID: E238705

# PP-RJ-SC - Patch panel



2703016

<https://www.phoenixcontact.com/us/products/2703016>

## Classifications

### ECLASS

ECLASS-13.0	19170112
ECLASS-15.0	19170112

### ETIM

ETIM 10.0	EC001128
-----------	----------

### UNSPSC

UNSPSC 21.0	43223300
-------------	----------

# PP-RJ-SC - Patch panel



2703016

<https://www.phoenixcontact.com/us/products/2703016>

## Environmental product compliance

### China RoHS

Environment friendly use period (EFUP)	EFUP-E
	No hazardous substances above the limits

### EU REACH SVHC

REACH candidate substance (CAS No.)	No substance above 0.1 wt%
-------------------------------------	----------------------------

Phoenix Contact 2026 © - all rights reserved  
<https://www.phoenixcontact.com>

Phoenix Contact USA  
586 Fulling Mill Road  
Middletown, PA 17057, United States  
(+717) 944-1300  
[info@phoenixcon.com](mailto:info@phoenixcon.com)