

# PP-RJ-RJ - Patch panel

2703015

<https://www.phoenixcontact.com/us/products/2703015>

Please be informed that the data shown in this PDF document is generated from our online catalog. Please find the complete data in the user documentation. Our general terms of use for downloads are valid.

Patch panel, two RJ45 jacks, CAT6, 10/100/1000 Mbps, DIN rail adapter, IP20



## Product description

This product is the successor to FL-PP-RJ45/RJ45, item no. 2901646. Ethernet patch panels enable quick and easy connection between the field cabling and control cabinet cabling. The passive termination panels are a convenient alternative to the on-site assembly of RJ45 connectors.

## Your advantages

- 10/100/1000 Mbps, CAT6
- Extended temperature range of -40 °C ... +75 °C
- PoE-capable in accordance with IEEE 802.3bt, type 4



## Commercial data

Item number	2703015
Packing unit	10 pc
Minimum order quantity	1 pc
Sales key	DN07
Product key	DNC334
GTIN	4055626462868
Weight per piece (including packing)	60.31 g
Weight per piece (excluding packing)	58.82 g
Customs tariff number	85366990
Country of origin	DE

# PP-RJ-RJ - Patch panel



2703015

<https://www.phoenixcontact.com/us/products/2703015>

## Technical data

### Notes

#### Note on application

Note on application	Only for industrial use
---------------------	-------------------------

### Product properties

Product type	Patch panel
MTTF	105699 Years

#### Insulation characteristics

Overvoltage category	II
Pollution degree	2

### Electrical properties

Maximum power dissipation for nominal condition	0 W (passive module, no supply voltage required)
Rated insulation voltage	85 V DC

### Interfaces

Data: Ethernet interface, 10/100/1000Base-T(X) in accordance with IEEE 802.3

Serial transmission speed	10/100/1000 Mbps
Frequency range	250 MHz
Connection method	RJ45 jack
Note on the connection method	CAT6
Pin assignment	1:1
Transmission length	100 m (including patch cables)
Transmission medium	Copper
Output nominal voltage	< 57 V DC
Maximum output power	60 W
Maximum output current	725 mA (Per channel)

Data: Ethernet interface, 10/100/1000Base-T(X) in accordance with IEEE 802.3

Connection method	RJ45 jack
-------------------	-----------

### Dimensions

Dimensional drawing	
---------------------	--

# PP-RJ-RJ - Patch panel



2703015

<https://www.phoenixcontact.com/us/products/2703015>

Width	23.8 mm
Height	101.3 mm
Depth	50 mm

## Material specifications

Color (Housing)	light gray (RAL 7035)
Material (Housing)	Plastic
Flammability rating according to UL 94	V0

## Mechanical tests

Vibration resistance in accordance with EN 60068-2-6/IEC 60068-2-6	: 10 Hz ... 57 Hz, amplitude $\pm 3.5$ mm, 57 Hz ... 150 Hz, 5g
Shock in accordance with EN 60068-2-27/IEC 60068-2-27	: 30g for 11 ms, three shocks in each spatial direction
Continuous shock in accordance with EN 60068-2-27/IEC 60068-2-27	: 10g for 16 ms, 1000 shocks in each spatial direction

## Environmental and real-life conditions

### Ambient conditions

Degree of protection	IP20 (Manufacturer's declaration)
Ambient temperature (operation)	-40 °C ... 75 °C
Ambient temperature (storage/transport)	-40 °C ... 85 °C
Altitude	$\leq 5000$ m (For restrictions, see the manufacturer's declaration for altitude operation)
Permissible humidity (operation)	10 % ... 95 % (non-condensing)

## Approvals

### CE

Certificate	CE-compliant
-------------	--------------

### UL

Identification	UL 61010 Listed
----------------	-----------------

## Mounting

Mounting type	DIN rail mounting, stationary
Assembly note	The product can be snapped onto all 35 mm DIN rails in accordance with EN 60715.

# PP-RJ-RJ - Patch panel

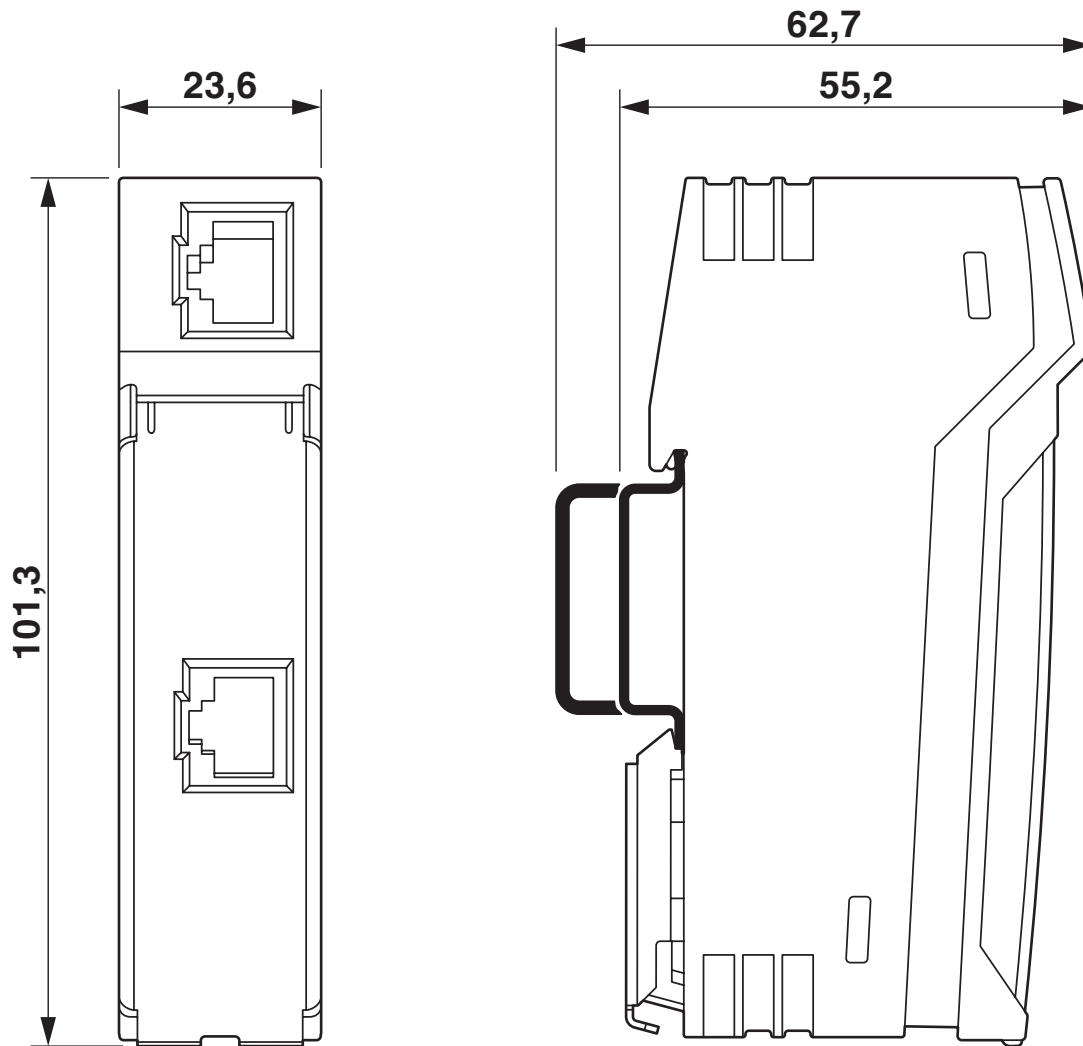
2703015

<https://www.phoenixcontact.com/us/products/2703015>



## Drawings

### Dimensional drawing



Compact housing

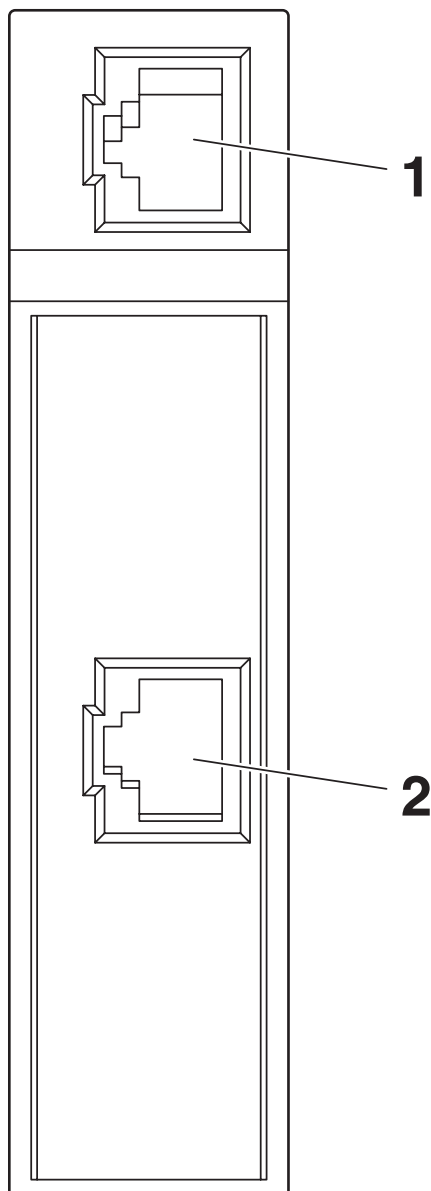
# PP-RJ-RJ - Patch panel

2703015

<https://www.phoenixcontact.com/us/products/2703015>



Schematic diagram



Front view

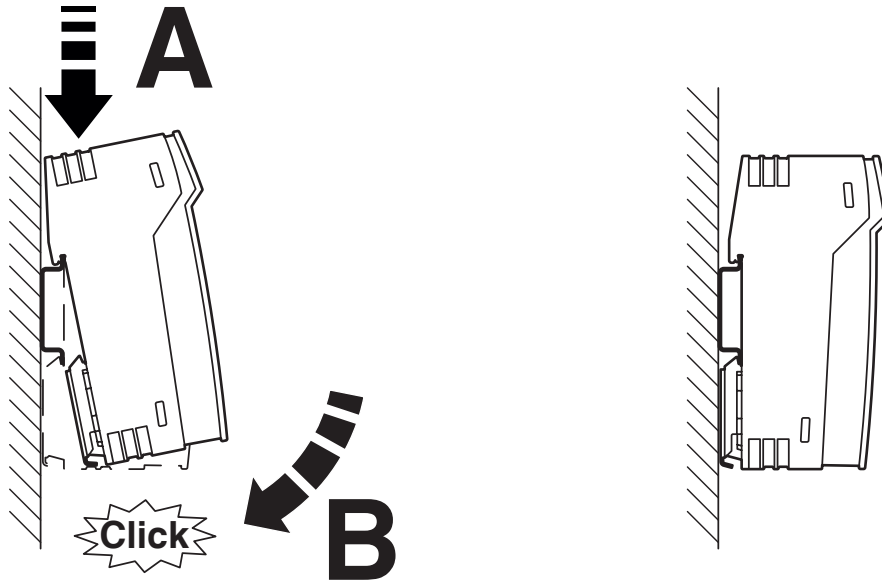
# PP-RJ-RJ - Patch panel

2703015

<https://www.phoenixcontact.com/us/products/2703015>

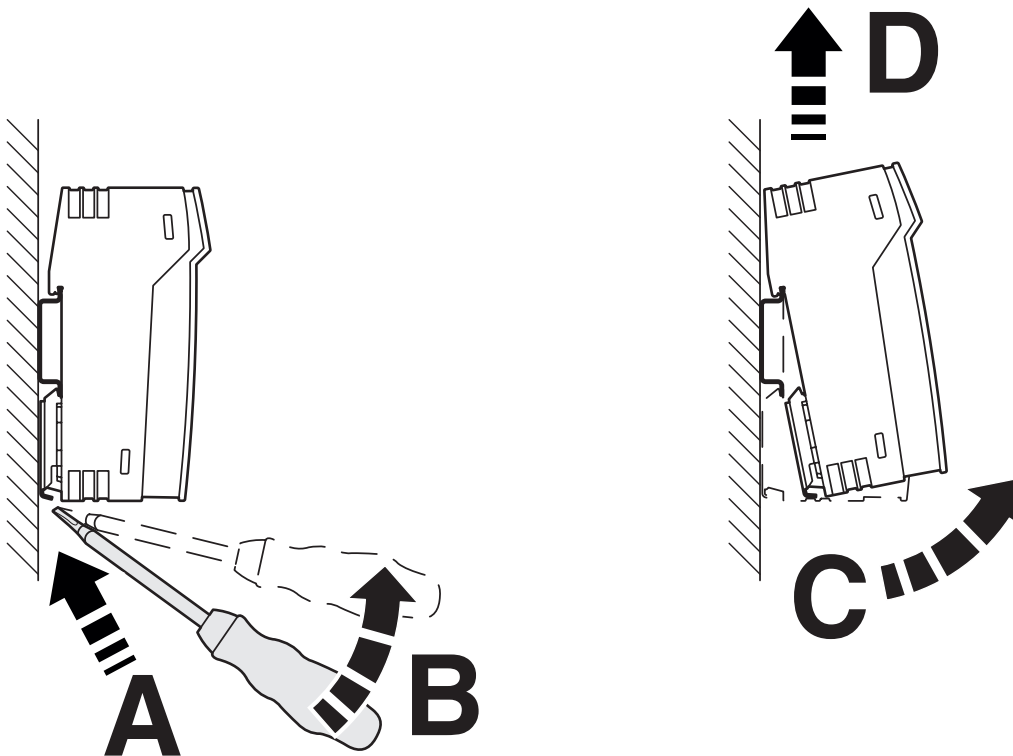


Schematic diagram



Mounting on a DIN rail

Schematic diagram



Removal

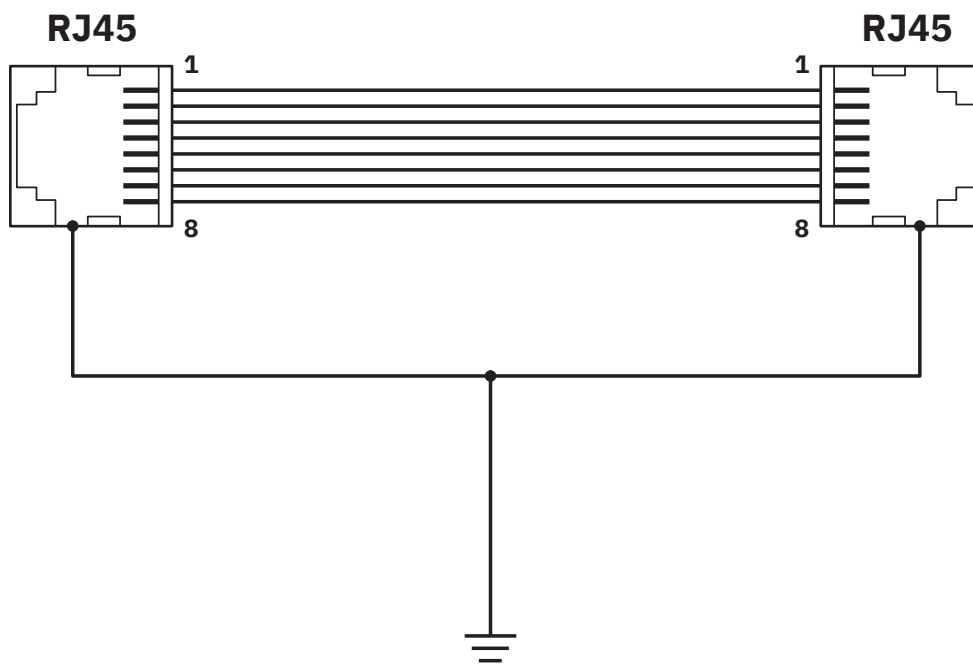
# PP-RJ-RJ - Patch panel

2703015

<https://www.phoenixcontact.com/us/products/2703015>



Circuit diagram



# PP-RJ-RJ - Patch panel



2703015

<https://www.phoenixcontact.com/us/products/2703015>

## Approvals

To download certificates, visit the product detail page: <https://www.phoenixcontact.com/us/products/2703015>



**cULus Listed**

Approval ID: E238705

# PP-RJ-RJ - Patch panel



2703015

<https://www.phoenixcontact.com/us/products/2703015>

## Classifications

### ECLASS

ECLASS-13.0	19170112
ECLASS-15.0	19170112

### ETIM

ETIM 10.0	EC001128
-----------	----------

### UNSPSC

UNSPSC 21.0	43223300
-------------	----------

# PP-RJ-RJ - Patch panel



2703015

<https://www.phoenixcontact.com/us/products/2703015>

## Environmental product compliance

### EU RoHS

Fulfills EU RoHS substance requirements	Yes, No exemptions
---	--------------------

### China RoHS

Environment friendly use period (EFUP)	EFUP-E
	No hazardous substances above the limits

### EU REACH SVHC

REACH candidate substance (CAS No.)	No substance above 0.1 wt%
-------------------------------------	----------------------------

Phoenix Contact 2026 © - all rights reserved  
<https://www.phoenixcontact.com>

Phoenix Contact USA  
586 Fulling Mill Road  
Middletown, PA 17057, United States  
(+717) 944-1300  
[info@phoenixcon.com](mailto:info@phoenixcon.com)