

INJ 1000 - Injector

2703005

<https://www.phoenixcontact.com/us/products/2703005>

Please be informed that the data shown in this PDF document is generated from our online catalog. Please find the complete data in the user documentation. Our general terms of use for downloads are valid.

PoE injector, 30 W, two RJ45 jacks, 10/100/1000 Mbps, DIN rail mounting, IP20



Product description

The midspan injectors connect Ethernet devices without PoE (e.g., switches) to PoE-capable end devices (e.g., IP cameras). As power sourcing equipment (PSE), the injector supplies the required power to a powered device (PD) via the data cable. The injector and end device negotiate the electrical power requirements autonomously.

Your advantages

- Extended supply voltage range of 18 V DC ... 57 V DC, redundant
- 10/100/1000 Mbps
- Mounting on a DIN rail
- Safe shield connection to ground potential

Commercial data

Item number	2703005
Packing unit	1 pc
Minimum order quantity	1 pc
Sales key	DN18
Product key	DNC351
GTIN	4055626462936
Weight per piece (including packing)	397 g
Weight per piece (excluding packing)	248.5 g
Customs tariff number	85044083
Country of origin	TW

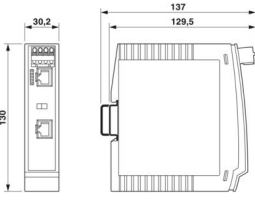
INJ 1000 - Injector

2703005

<https://www.phoenixcontact.com/us/products/2703005>

Technical data

Dimensions

Dimensional drawing	
Width	30.2 mm
Height	130 mm
Depth	120 mm

Notes

Note on application

Note on application	Only for industrial use
---------------------	-------------------------

Material specifications

Color	gray (RAL 7042)
Housing material	Plastic

Mounting

Mounting type	DIN rail mounting
Mounting position	vertical

Interfaces

Basic functions	PSE/Midspan, compliant with IEEE 802.3af, at
-----------------	--

Data: Power over Ethernet

Serial transmission speed	10/100/1000 Mbps
Connection method	RJ45 jack
No. of channels	1
Pin assignment	1:1
Transmission length	100 m (including patch cables)
Output nominal voltage	54 V DC (PoE)
Output power	30 W

Data: Ethernet

Connection method	RJ45 CAT5e
-------------------	------------

Product properties

Product type	Injector
MTTF	110 Years (MIL-HDBK-217F standard, temperature 25°C, operating cycle 100%)

INJ 1000 - Injector



2703005

<https://www.phoenixcontact.com/us/products/2703005>

Functions

Basic functions	PSE/Midspan, compliant with IEEE 802.3af, at
-----------------	--

Security functions

Basic functions	PSE/Midspan, compliant with IEEE 802.3af, at
-----------------	--

Electrical properties

Maximum power dissipation for nominal condition	33.6 W
---	--------

Supply

Supply voltage range	18 V DC ... 57 V DC (Ordinary locations)
	24 V DC ... 48 V DC (Hazardous locations)
Nominal supply voltage	24 V DC
	48 V DC
Max. current consumption	2.1 A
	1.4 A (24 V DC)
	0.7 A (48 V DC)
Power consumption	≤ 36 W
Protective circuit	Reverse polarity protection

Connection data

Supply

Conductor cross-section, flexible, with ferrule, without plastic sleeve	0.25 mm ² ... 2.5 mm ²
Conductor cross-section, flexible, with ferrule, with plastic sleeve	0.25 mm ² ... 2.5 mm ²
Conductor cross-section, flexible	0.20 mm ² ... 2.50 mm ²
Conductor cross-section, rigid	0.20 mm ² ... 2.50 mm ²
Conductor cross-section AWG	20 ... 12

Environmental and real-life conditions

Ambient conditions

Degree of protection	IP20 (Non-certificated by UL)
Ambient temperature (operation)	0 °C ... 60 °C
Ambient temperature (storage/transport)	-40 °C ... 85 °C
Altitude	≤ 5000 m (For restrictions, see the manufacturer's declaration for altitude operation)
	≤ 2000 m (with UL approval)
Permissible humidity (operation)	10 % ... 95 % (non-condensing)

Approvals

CE

Identification	CE-compliant
----------------	--------------

EAC

INJ 1000 - Injector



2703005

<https://www.phoenixcontact.com/us/products/2703005>

Identification	EAC
----------------	-----

UL, USA/Canada

Identification	Class I, Div. 2, Groups A, B, C, D T4
----------------	---------------------------------------

Corrosive gas test

Identification	ISA-S71.04-1985 G3 Harsh Group A
----------------	----------------------------------

EMC data

Electromagnetic compatibility	Conformance with EMC Directive 2014/30/EU
-------------------------------	---

Electrostatic discharge

Standards/regulations	EN 61000-4-2
-----------------------	--------------

Electrostatic discharge

Contact discharge	± 6 kV (Test Level 3)
Discharge in air	± 8 kV (Test Level 3)
Indirect discharge	± 6 kV
Comments	Criterion B

Electromagnetic HF field

Standards/regulations	EN 61000-4-3
-----------------------	--------------

Electromagnetic HF field

Frequency range	80 MHz ... 3 GHz (Test Level 3)
Field intensity	10 V/m
Comments	Criterion A

Fast transients (burst)

Standards/regulations	EN 61000-4-4
-----------------------	--------------

Fast transients (burst)

Input	± 2.2 kV (1 minute)
Signal	± 2.2 kV (1 minute)
Comments	Criterion B

Surge current load (surge)

Standards/regulations	EN 61000-4-5
-----------------------	--------------

Surge current load (surge)

Input	± 0.5 kV
Signal	± 1 kV (Data line, asymmetrical) ± 2 kV (I/O cable on field side only, asymmetric)
Comments	Criterion B

Conducted interference

Standards/regulations	EN 61000-4-6
-----------------------	--------------

Conducted interference

Frequency range	0.15 MHz ... 80 MHz
-----------------	---------------------

INJ 1000 - Injector



2703005

<https://www.phoenixcontact.com/us/products/2703005>

Comments	Criterion A
Voltage	10 V

Emitted interference

Standards/regulations	EN 61000-6-4
Comments	Class A, industrial applications

Emitted interference

Standards/regulations	EN 61000-6-3
Comments	Class B, domain of use: residential and small commercial

System properties

Functionality

Basic functions	PSE/Midspan, compliant with IEEE 802.3af, at
-----------------	--

INJ 1000 - Injector

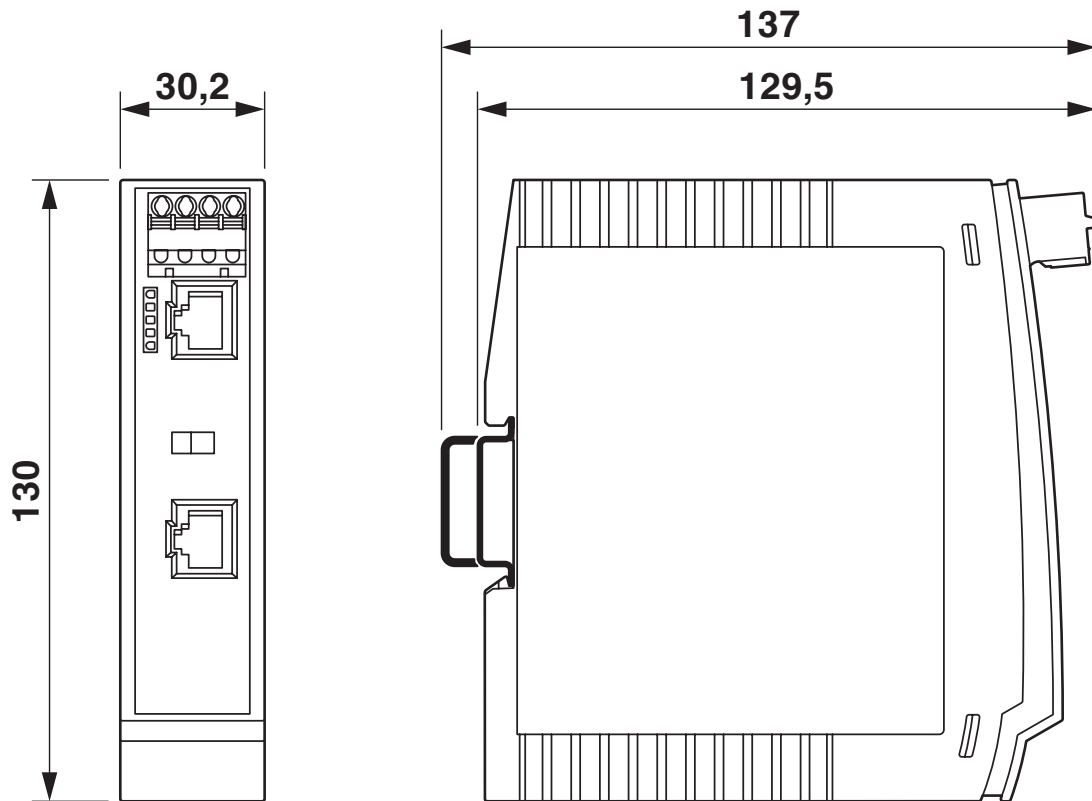
2703005

<https://www.phoenixcontact.com/us/products/2703005>



Drawings

Dimensional drawing

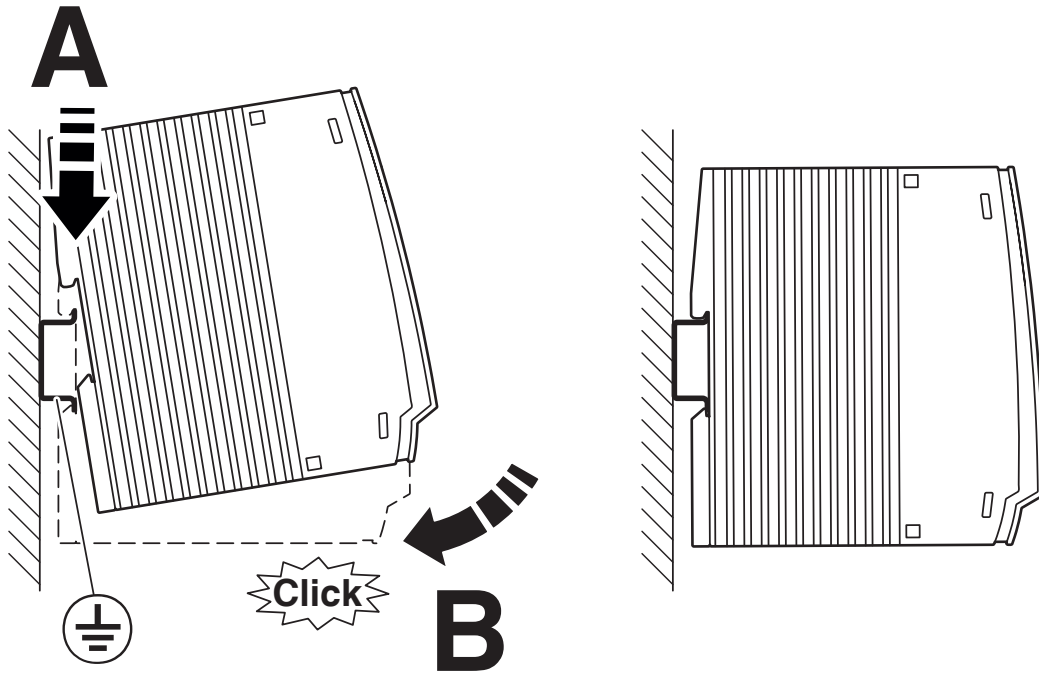


INJ 1000 - Injector

2703005

<https://www.phoenixcontact.com/us/products/2703005>

Schematic diagram



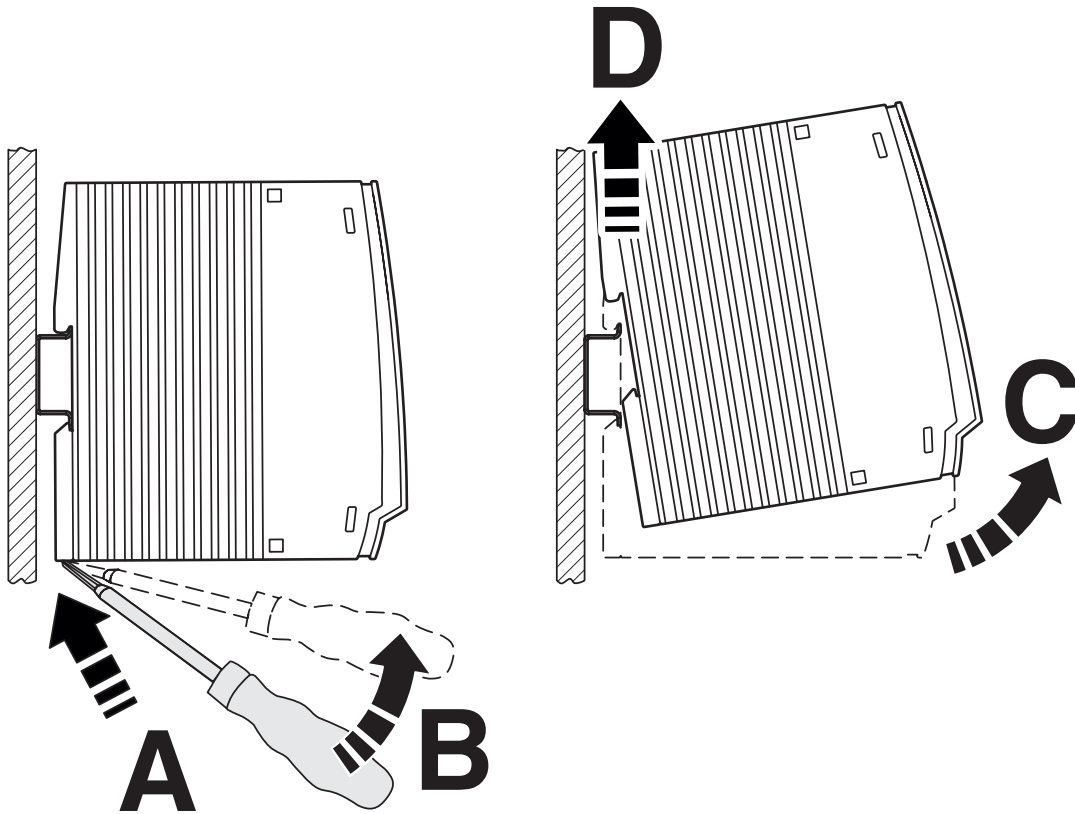
Mounting

INJ 1000 - Injector

2703005

<https://www.phoenixcontact.com/us/products/2703005>

Schematic diagram



Removal

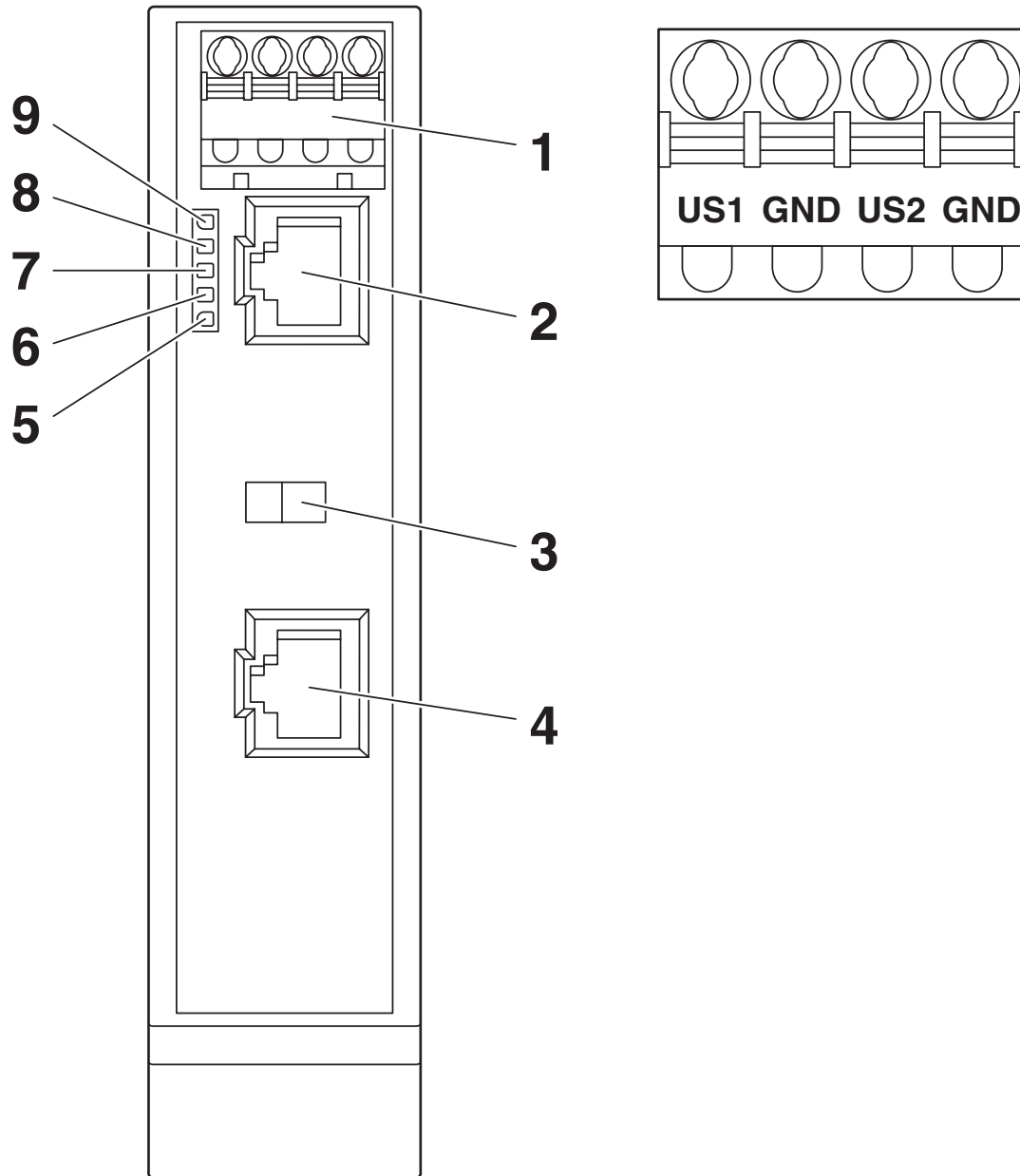
INJ 1000 - Injector

2703005

<https://www.phoenixcontact.com/us/products/2703005>



Schematic diagram



Front view

INJ 1000 - Injector



2703005

<https://www.phoenixcontact.com/us/products/2703005>

Approvals

To download certificates, visit the product detail page: <https://www.phoenixcontact.com/us/products/2703005>



cULus Listed

Approval ID: E238705



cUL Listed

Approval ID: E196811



UL Listed

Approval ID: E196811

INJ 1000 - Injector

2703005

<https://www.phoenixcontact.com/us/products/2703005>



Classifications

ECLASS

ECLASS-13.0	19170112
ECLASS-15.0	19170112

ETIM

ETIM 10.0	EC001128
-----------	----------

UNSPSC

UNSPSC 21.0	43223300
-------------	----------

INJ 1000 - Injector



2703005

<https://www.phoenixcontact.com/us/products/2703005>

Environmental product compliance

EU RoHS

Fulfills EU RoHS substance requirements	Yes
Exemption	15, 15(a), 7(a), 7(c)-I

China RoHS

Environment friendly use period (EFUP)	EFUP-10
	An article-related China RoHS declaration table can be found in the download area for the respective article under "Manufacturer declaration". For all articles with EFUP-E, no China RoHS declaration table issued and required.

EU REACH SVHC

REACH candidate substance (CAS No.)	Lead(CAS: 7439-92-1)
SCIP	40093b06-8b08-4f1d-9dfc-c8c2d260d413

Phoenix Contact 2026 © - all rights reserved

<https://www.phoenixcontact.com>

Phoenix Contact USA
586 Fulling Mill Road
Middletown, PA 17057, United States
(+717) 944-1300
info@phoenixcon.com