

# PSR-CT-C-ACT - Safety switch actuator



2702973

<https://www.phoenixcontact.com/us/products/2702973>

Please be informed that the data shown in this PDF document is generated from our online catalog. Please find the complete data in the user documentation. Our general terms of use for downloads are valid.



Proximity safety circuit up to Cat. 4, PL e (EN ISO 13849), SIL 3 (IEC 61508), coded actuator, compatible with all sensor coding types, supplied inductively via the sensor, IP69K

## Product description

The PSR-CT safety circuit consists of a combination of a PSR-CT-...-SEN-1-8 sensor with varying coding types and a coded PSR-CT-C-ACT actuator. It provides maximum tamper protection and the highest level of safety in accordance with EN ISO 14119. The PSR-CT safety circuit is available with the following types of coding: **Fixcode:** For the sensor to detect the actuator, the actuator must first be associated with the sensor via a learning process. The learning process can only be completed once. The sensor and actuator are then permanently assigned to each other by their coding. Safety circuits with fixcode evaluation achieve a **high coding level**. **Unicode:** For the sensor to detect the actuator, the actuator must first be assigned to the sensor via a learning process. The learning process for a new actuator can be repeated any number of times. The sensor only detects the last learned actuator. Safety circuits with unicode evaluation achieve a **high coding level**. **Multicode:** The sensor detects every actuator of the approved type. No specific actuator code can be assigned. Safety circuits with multicode evaluation achieve a **low coding level**.

## Your advantages

- Integrated reset function on the switch
- 4 actuation settings, 3 travel directions
- Tamper protection via RFID transponder technology
- Rapid diagnostics, thanks to comprehensive status information
- Consistent M12 connection technology for convenient installation
- Safe series connection in accordance with EN ISO 14119
- Flexible use, thanks to compact design
- Safe, cost-effective complete solution

## Commercial data

Item number	2702973
Packing unit	1 pc
Minimum order quantity	1 pc
Sales key	DN04
Product key	DNA611
GTIN	4055626447001
Weight per piece (including packing)	40.7 g
Weight per piece (excluding packing)	31.5 g
Customs tariff number	85365019

# PSR-CT-C-ACT - Safety switch actuator



2702973

<https://www.phoenixcontact.com/us/products/2702973>

Country of origin	DE
-------------------	----

## Technical data

### Notes

#### Note on application

Note on application	Only for industrial use
---------------------	-------------------------

### Product properties

Product type	Safety switches
Product family	PSR-CT
Technology	Transponder
Application	Safety door monitoring Position monitoring

#### Switching intervals (Actuation setting A, B)

Actuation setting	Actuation position A, B when traveling in X direction
Power-on interval	typ. 13 mm
Fused switching interval $S_{ao}$	10 mm (Position A) 9 mm (Position B)
Fused power off interval $S_{ar}$	max. 20 mm
Switching hysteresis	min. 1 mm typ. 2 mm
Repeat accuracy	$\leq 10 \%$

#### Switching intervals (Actuation setting C, D)

Actuation setting	Actuation position C, D when traveling in X direction
Power-on interval	typ. 7 mm
Fused switching interval $S_{ao}$	3 mm (Position C) 2 mm (Position D)
Fused power off interval $S_{ar}$	max. 17 mm
Switching hysteresis	min. 1 mm typ. 2 mm
Repeat accuracy	$\leq 10 \%$

### Electrical properties

Power supply	inductively, via the sensor
--------------	-----------------------------

### Connection data

#### Connection technology

pluggable	no
-----------	----

#### Conductor connection

Connection method	without
-------------------	---------

### Dimensions

# PSR-CT-C-ACT - Safety switch actuator



2702973

<https://www.phoenixcontact.com/us/products/2702973>

Dimensional drawing	
Width	26.5 mm
Height	40 mm
Depth	18 mm

## Material specifications

Color (Housing)	yellow (RAL 1018)
Housing material	PBT

## Characteristics

Safety data: EN ISO 13849

Performance level (PL)	e
------------------------	---

Safety data: IEC 61508 - High demand

Safety Integrity Level (SIL)	3
------------------------------	---

## Environmental and real-life conditions

Ambient conditions

Degree of protection	IP65/IP67/IP69/IP69K
Ambient temperature (operation)	-25 °C ... 55 °C
Ambient temperature (storage/transport)	-40 °C ... 70 °C

## Mounting

Mounting type	Mounting panel
Assembly note	Note EN ISO 14119 max. tightening torque to secure: 0.8 Nm
Mounting position	active surface across from sensor
Minimum distance	140 mm (between two safety circuits) 7 mm (between sensor and actuator when traveling in the Y-direction)

# PSR-CT-C-ACT - Safety switch actuator

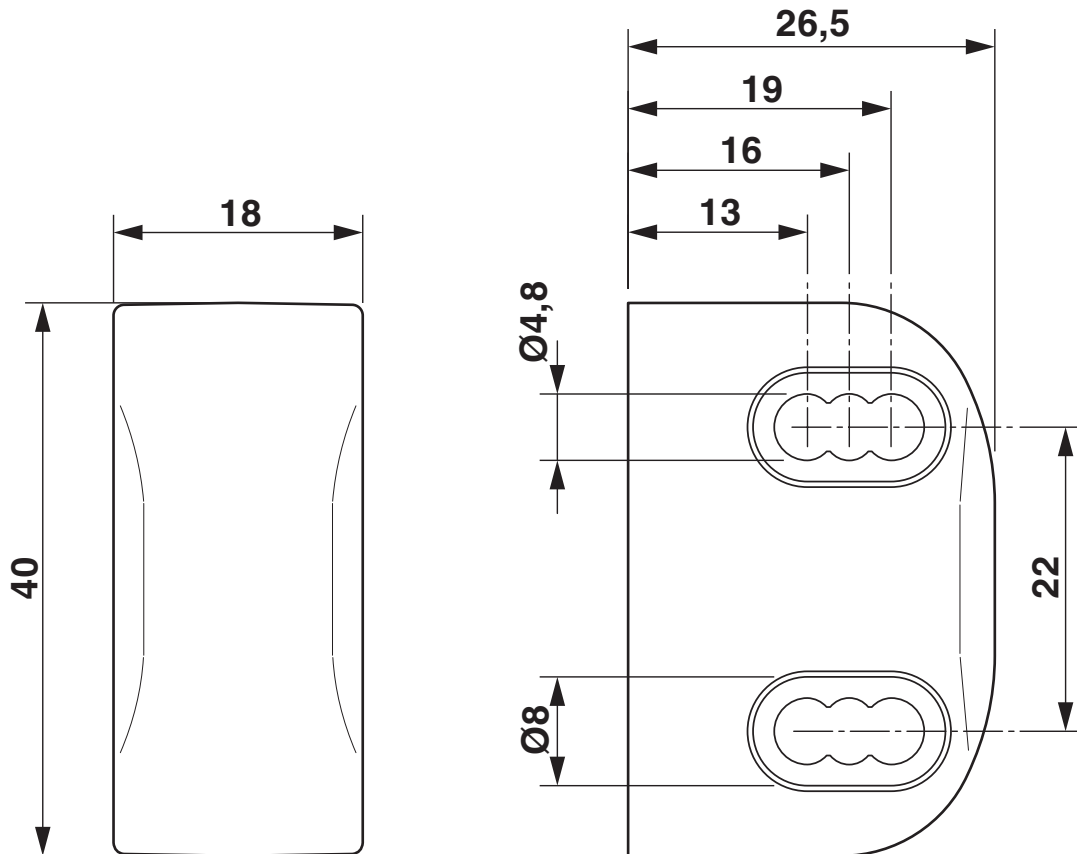


2702973

<https://www.phoenixcontact.com/us/products/2702973>

## Drawings

Dimensional drawing

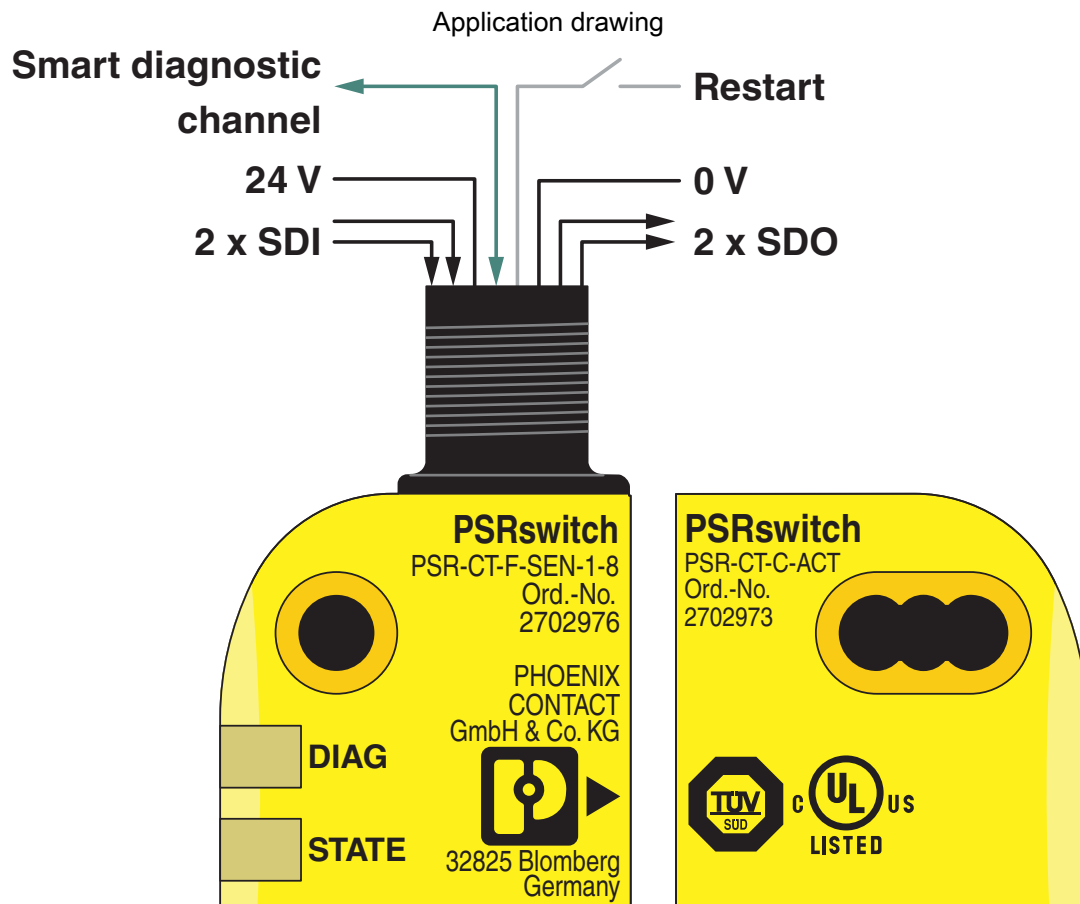


# PSR-CT-C-ACT - Safety switch actuator



2702973

<https://www.phoenixcontact.com/us/products/2702973>



Application drawing



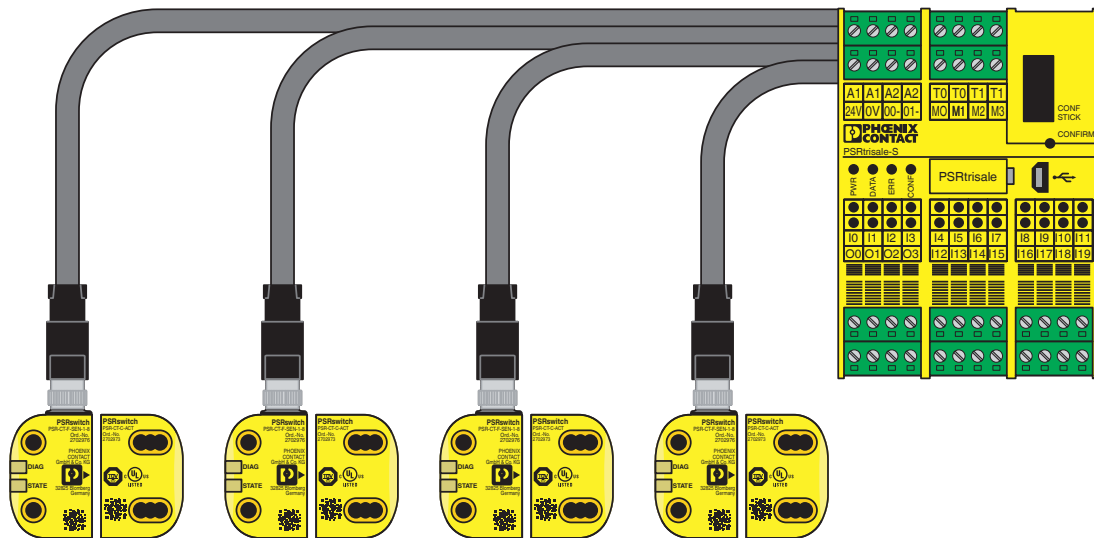
# PSR-CT-C-ACT - Safety switch actuator



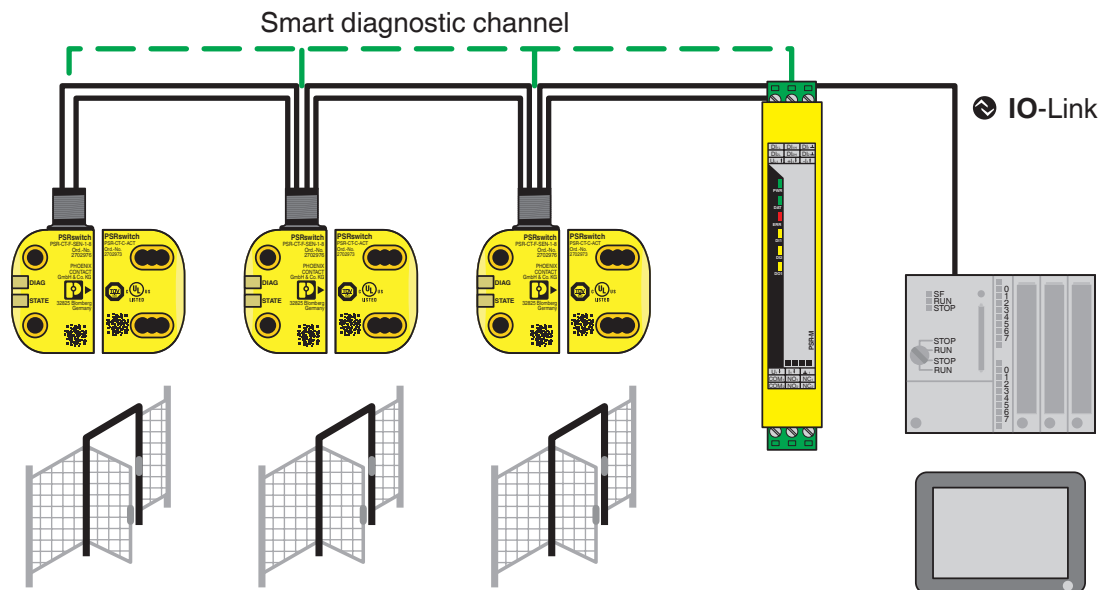
2702973

<https://www.phoenixcontact.com/us/products/2702973>

Application drawing



Application drawing

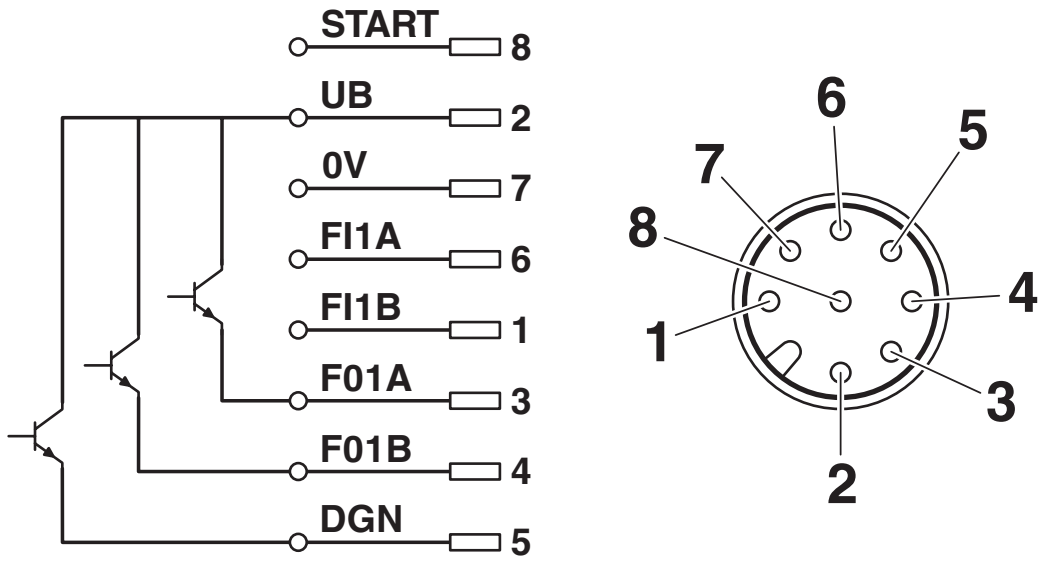


# PSR-CT-C-ACT - Safety switch actuator

2702973

<https://www.phoenixcontact.com/us/products/2702973>

Connection diagram



# PSR-CT-C-ACT - Safety switch actuator



2702973

<https://www.phoenixcontact.com/us/products/2702973>

## Approvals

To download certificates, visit the product detail page: <https://www.phoenixcontact.com/us/products/2702973>



### UL Listed

Approval ID: E196162



### cUL Listed

Approval ID: E196162



### Functional Safety

Approval ID: Z10 029429 0033

# PSR-CT-C-ACT - Safety switch actuator



2702973

<https://www.phoenixcontact.com/us/products/2702973>

## Classifications

### ECLASS

ECLASS-15.0	27274601
ECLASS-13.0	27274601

### ETIM

ETIM 10.0	EC003015
-----------	----------

### UNSPSC

UNSPSC 21.0	32151800
-------------	----------

# PSR-CT-C-ACT - Safety switch actuator



2702973

<https://www.phoenixcontact.com/us/products/2702973>

## Environmental product compliance

### EU RoHS

Fulfills EU RoHS substance requirements	Yes, No exemptions
---	--------------------

### China RoHS

Environment friendly use period (EFUP)	EFUP-50
	An article-related China RoHS declaration table can be found in the download area for the respective article under "Manufacturer declaration". For all articles with EFUP-E, no China RoHS declaration table issued and required.

### EU REACH SVHC

REACH candidate substance (CAS No.)	No substance above 0.1 wt%
-------------------------------------	----------------------------

### EF3.1 Climate Change

CO2e kg	1.883 kg CO2e
---------	---------------

Phoenix Contact 2026 © - all rights reserved  
<https://www.phoenixcontact.com>

Phoenix Contact USA  
586 Fulling Mill Road  
Middletown, PA 17057, United States  
(+717) 944-1300  
[info@phoenixcon.com](mailto:info@phoenixcon.com)