

TC CLOUD CLIENT 1002-4G ATT - Router



2702888

<https://www.phoenixcontact.com/us/products/2702888>

Please be informed that the data shown in this PDF document is generated from our online catalog. Please find the complete data in the user documentation. Our general terms of use for downloads are valid.



Industrial VPN gateway for mGuard Secure Cloud, IPsec communication via 4G (LTE), AT&T (US), 2-port switch, 1 digital input, 1 digital output

Product description

The TC CLOUD CLIENT 4G product range offers cost-effective field devices for secure remote maintenance scenarios via the 4G LTE mobile network. The devices are optimized for use with the mGuard Secure Cloud. For this reason, all CLOUD CLIENT devices support Virtual Private Networks (VPNs) as standard. A scope of functions optimized for the mGuard Secure Cloud enables quick startup of the devices in the field.

Your advantages

- Secure communication via IPsec
- Configuration via web-based management or microSD card
- Cloud-based VPN infrastructure from Phoenix Contact
- Turnkey VPN infrastructure for operators, machine builders, and systems manufacturers
- Secure and reliable, thanks to industry-proven mGuard security technology
- Support for cellular iOS-based devices such as Apple iPads and iPhones



Commercial data

Item number	2702888
Packing unit	1 pc
Minimum order quantity	1 pc
Sales key	DN25
Product key	DNC422
GTIN	4055626378633
Weight per piece (including packing)	347 g
Weight per piece (excluding packing)	347 g
Customs tariff number	85176200

TC CLOUD CLIENT 1002-4G ATT - Router

2702888

<https://www.phoenixcontact.com/us/products/2702888>



Country of origin	DE
-------------------	----

Technical data

Notes

Note on application

Note on application	Only for industrial use
---------------------	-------------------------

Utilization restriction

CCCex note	Use in potentially explosive areas is not permitted in China.
------------	---

Product properties

Product type	Cellular router
Application	Ethernet
MTTF	383 Years (SN 29500 standard, temperature 25°C, operating cycle 21%)
	184 Years (SN 29500 standard, temperature 40°C, operating cycle 34.25%)
	78 Years (SN 29500 standard, temperature 40°C, operating cycle 100%)

Insulation characteristics

Pollution degree	2
------------------	---

Security functions

1:1 Network Address Translation (NAT) in the VPN	supported
Number of VPN tunnels	1
Authentication	X.509v3, PSK
Data integrity	MD5
	SHA-1
Internet Protocol Security (IPsec) mode	ESP tunnel
Encryption methods	3DES, AES-128, -192, -256

Electrical properties

Electrical isolation	VCC // LTE // Ethernet // PE
Mains type	Cellular communication

Supply

Supply voltage range	10 V DC ... 30 V DC (SELV)
Typical current consumption	< 200 mA (24 V DC)
	65 mA (With activated energy-saving mode)

Function

Management	Web-based management, SNMP
------------	----------------------------

Input data

Digital

Description of the input	Digital input
--------------------------	---------------

TC CLOUD CLIENT 1002-4G ATT - Router



2702888

<https://www.phoenixcontact.com/us/products/2702888>

Number of inputs	1
Voltage input signal	10 V DC ... 30 V DC
Switching level "1" signal	10 V DC ... 30 V DC

Output data

Signal

Output name	Digital output
Number of outputs	1
Voltage output signal	10 V DC ... 30 V DC (depending on the operating voltage)
Current output signal	≤ 50 mA (Not short-circuit proof)

Connection data

Supply

Single conductor/terminal point, rigid	0.14 mm ² ... 1.5 mm ²
Single-wire/terminal point, flexible	0.14 mm ² ... 1.5 mm ²
Conductor cross-section AWG	26 ... 16

Interfaces

Signal	Ethernet
Web server	yes

Data: Ethernet interface, 10/100Base-T(X) in accordance with IEEE 802.3

Serial transmission speed	10/100 Mbps, auto negotiation
Connection method	RJ45 jack, shielded
No. of channels	2
Transmission length	100 m (shielded twisted pair)
Protocols supported	TCP/IP, UDP/IP, FTP, HTTP
Auxiliary protocols	ARP, DHCP, PING (ICMP), SNMP V1, SMTP

Wireless

Interface description	LTE (FDD) / UMTS
Frequency range	700 MHz (LTE B13 / B17) 850 MHz (LTE B5) 1700 MHz (LTE B4) 1900 MHz (LTE B2) 850 MHz (UMTS/HSPA B5) 1900 MHz (UMTS/HSPA B2)
Data rate	≤ 150 Mbps (LTE, DL) ≤ 50 Mbps (LTE, UL)
Antenna	50 Ω impedance SMA antenna socket
Antenna connection method	SMA (female)
SIM Interface	1.8 volt, 3 volt
UMTS	HSPA 3GPP R9
LTE	CAT4

TC CLOUD CLIENT 1002-4G ATT - Router



2702888

<https://www.phoenixcontact.com/us/products/2702888>

Country support	USA
-----------------	-----

Dimensions

Width	45 mm
Height	130 mm
Depth	126 mm

Material specifications

Color (Upper housing part)	gray (RAL 7042)
Material (Housing)	Plastic

Environmental and real-life conditions

Ambient conditions

Degree of protection	IP20 (Manufacturer's declaration)
Ambient temperature (operation)	0 °C ... 60 °C
Ambient temperature (storage/transport)	0 °C ... 60 °C
Permissible humidity (operation)	10 % ... 95 % (non-condensing)
Permissible humidity (storage/transport)	10 % ... 95 % (non-condensing)

Approvals

UL, USA/Canada

Identification	Class I, Zone 2, AEx nA IIC T4 / Ex nA IIC T4 Gc Class I, Div. 2, Groups A, B, C, D T4
----------------	---

Corrosive gas test

Identification	ISA-S71.04-1985 G3 Harsh Group A
----------------	----------------------------------

Wireless approval USA, FCC

Certificate	N7NHL7588
-------------	-----------

EMC data

Electromagnetic compatibility	Conformance with EMC Directive 2014/30/EU
Noise immunity	EN 61000-6-2

Criteria

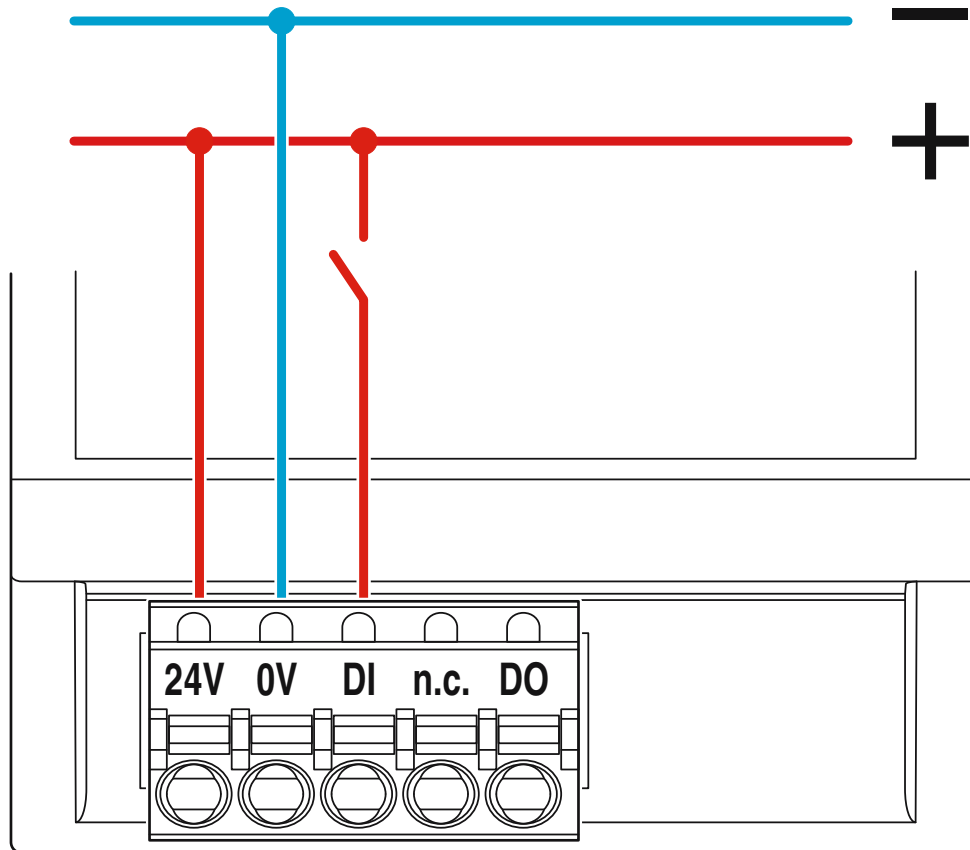
Criterion A	Normal operating behavior within the specified limits.
Criterion B	Temporary impairment to operational behavior that is corrected by the device itself.

Mounting

Mounting type	DIN rail mounting
---------------	-------------------

Drawings

Connection diagram



Switching input and switching output

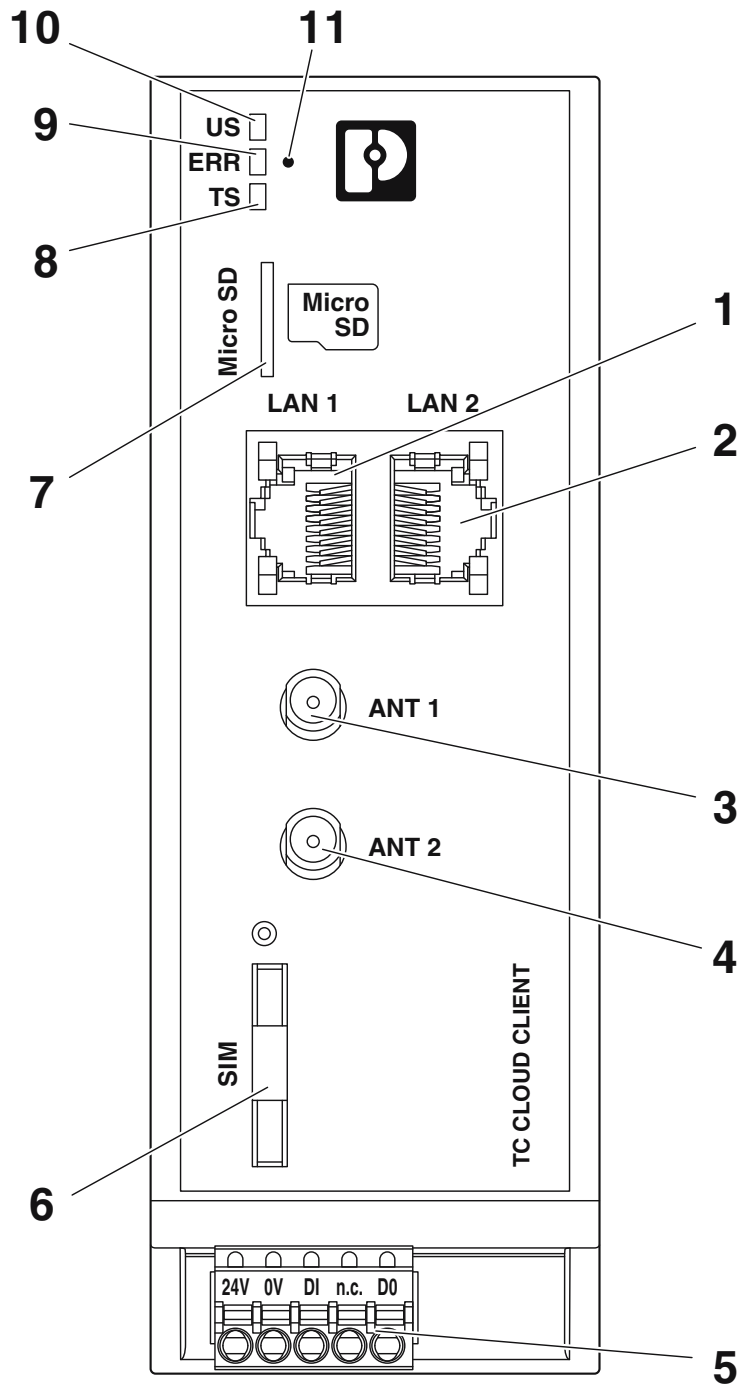
TC CLOUD CLIENT 1002-4G ATT - Router



2702888

<https://www.phoenixcontact.com/us/products/2702888>

Schematic diagram

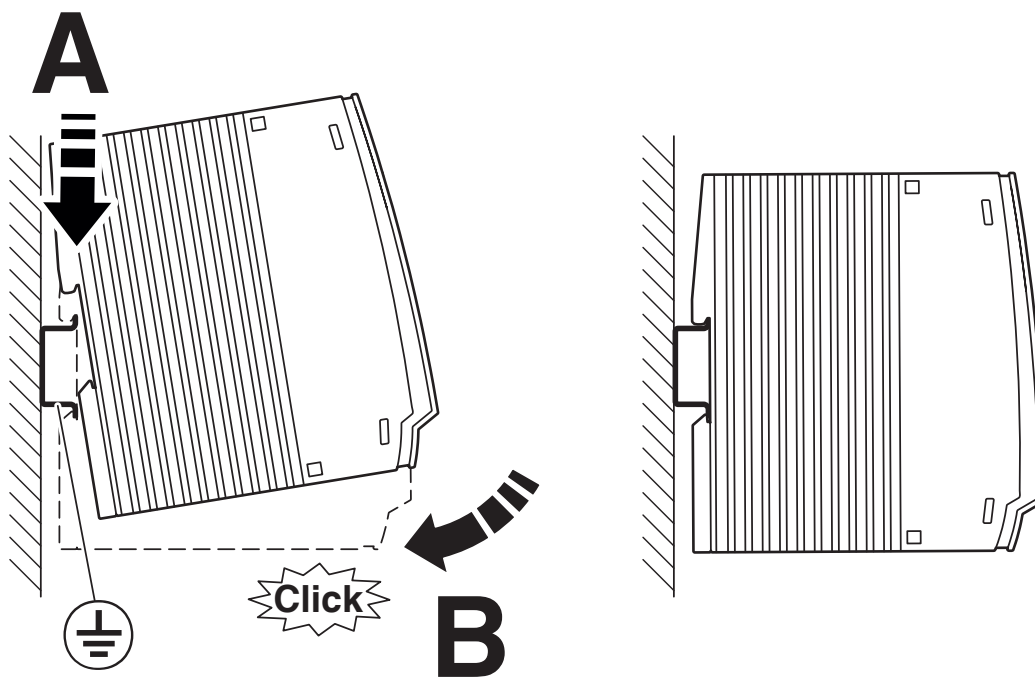


Front view

2702888

<https://www.phoenixcontact.com/us/products/2702888>

Schematic diagram



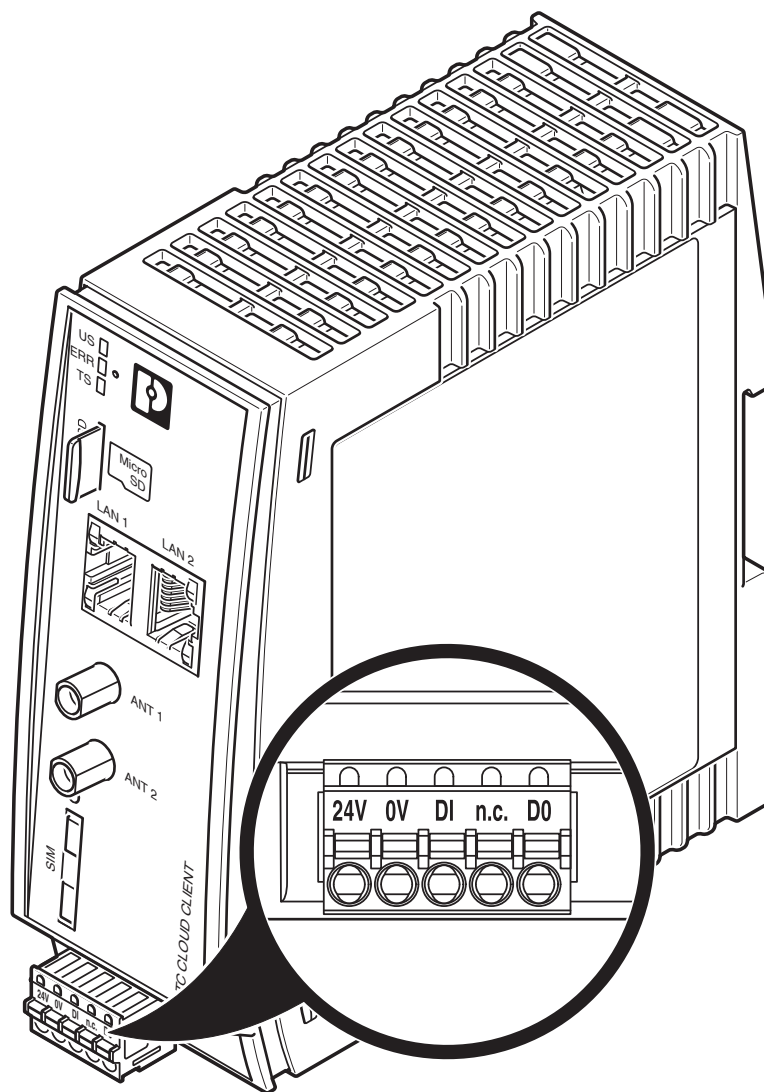
DIN rail mounting

TC CLOUD CLIENT 1002-4G ATT - Router

2702888

<https://www.phoenixcontact.com/us/products/2702888>

Schematic diagram



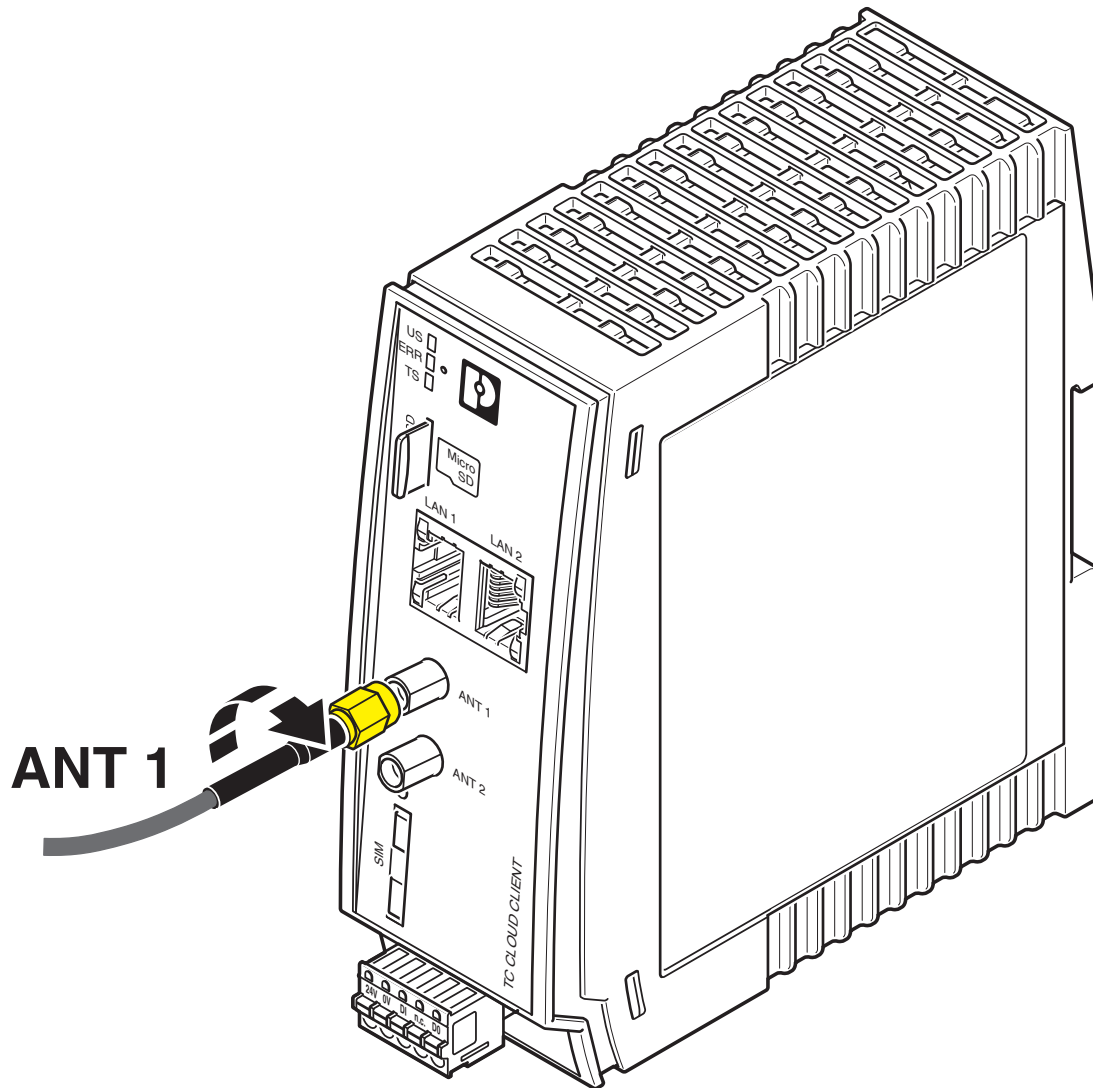
Connecting the supply voltage

TC CLOUD CLIENT 1002-4G ATT - Router

2702888

<https://www.phoenixcontact.com/us/products/2702888>

Schematic diagram

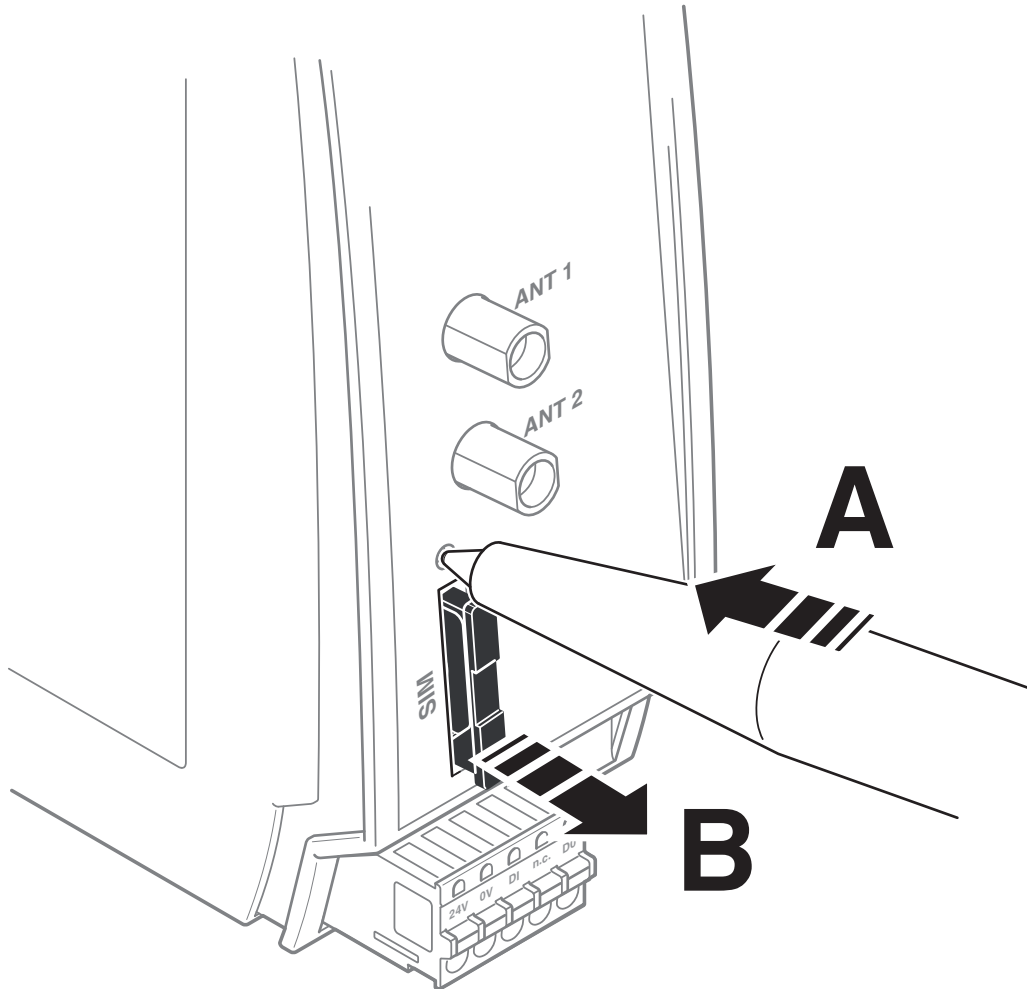


Connect the antenna

2702888

<https://www.phoenixcontact.com/us/products/2702888>

Schematic diagram

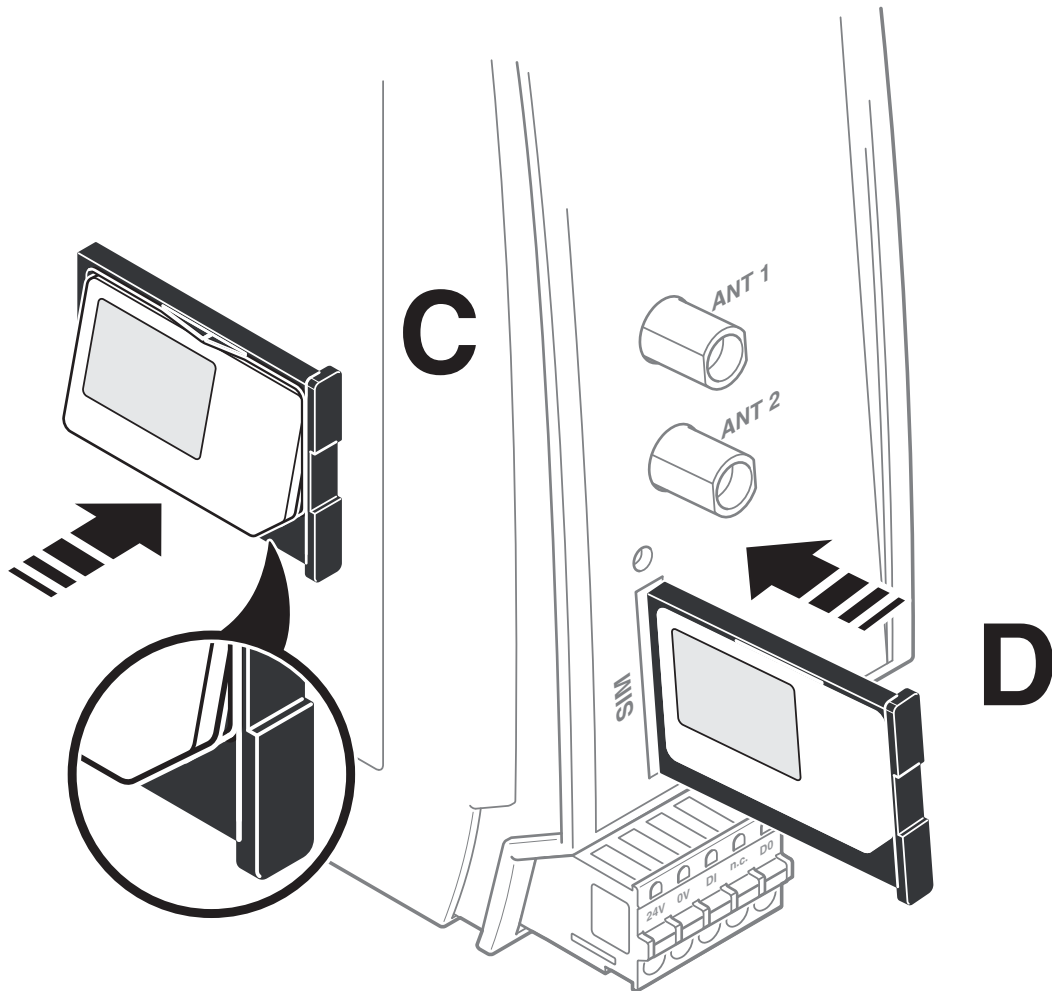


Remove SIM card holder

2702888

<https://www.phoenixcontact.com/us/products/2702888>

Schematic diagram



Insert the SIM card

TC CLOUD CLIENT 1002-4G ATT - Router



2702888

<https://www.phoenixcontact.com/us/products/2702888>

Classifications

ECLASS

ECLASS-13.0

19170502

ETIM

ETIM 9.0

EC001478

UNSPSC

UNSPSC 21.0

43222600

2702888

<https://www.phoenixcontact.com/us/products/2702888>

Environmental product compliance

EU RoHS

Fulfills EU RoHS substance requirements	Yes, No exemptions
---	--------------------

China RoHS

Environment friendly use period (EFUP)	EFUP-50
	An article-related China RoHS declaration table can be found in the download area for the respective article under "Manufacturer declaration". For all articles with EFUP-E, no China RoHS declaration table issued and required.

EU REACH SVHC

REACH candidate substance (CAS No.)	No substance above 0.1 wt%
-------------------------------------	----------------------------

Phoenix Contact 2026 © - all rights reserved

<https://www.phoenixcontact.com>

Phoenix Contact USA
586 Fulling Mill Road
Middletown, PA 17057, United States
(+717) 944-1300
info@phoenixcon.com