

# GW PL HART8-R-BUS - Protocol converter



2702880

<https://www.phoenixcontact.com/us/products/2702880>

Please be informed that the data shown in this PDF document is generated from our online catalog. Please find the complete data in the user documentation. Our general terms of use for downloads are valid.



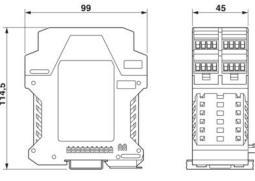
Eight-channel HART® expansion module, with screw connection, with 250 Ω internal input resistors

## Commercial data

Item number	2702880
Packing unit	1 pc
Minimum order quantity	1 pc
Sales key	DN11
Product key	DNC322
GTIN	4055626384795
Weight per piece (including packing)	313.6 g
Weight per piece (excluding packing)	310 g
Customs tariff number	85176200
Country of origin	DE

## Technical data

### Dimensions

Dimensional drawing	
Width	45 mm
Height	99 mm
Depth	114.5 mm

### Notes

#### Note on application

Note on application	Only for industrial use
---------------------	-------------------------

### Material specifications

Color	gray
-------	------

### Interfaces

#### Data: HART FSK

Transmission speed	1200 bps
Connection method	Screw connection
No. of channels	8

### Product properties

Product type	I/O component
MTBF	272 Years (Siemens model SN29500, temperature 40°C, env. factor 1.5 and stress factor 50%)

### Electrical properties

Test voltage data interface/power supply	500 V AC
Test voltage data interfaces	500 V AC

#### Supply

Typical current consumption	46 mA (at 24 V DC)
-----------------------------	--------------------

### Environmental and real-life conditions

#### Ambient conditions

Degree of protection	IP20
Ambient temperature (operation)	-40 °C ... 70 °C
	-40 °F ... 158 °F

# GW PL HART8-R-BUS - Protocol converter



2702880

<https://www.phoenixcontact.com/us/products/2702880>

Ambient temperature (storage/transport)	-40 °C ... 85 °C
---	------------------

## Approvals

### Conformity/Approvals

Conformance	CE-compliant
Noxious gas test	ISA-S71.04-1985 G3 Harsh Group A

## Mounting

Mounting type	DIN rail mounting
Assembly note	on standard DIN rail NS 35 in accordance with EN 60715
Mounting position	any
Useable DIN rail type	DIN rail: 35 mm

# GW PL HART8-R-BUS - Protocol converter

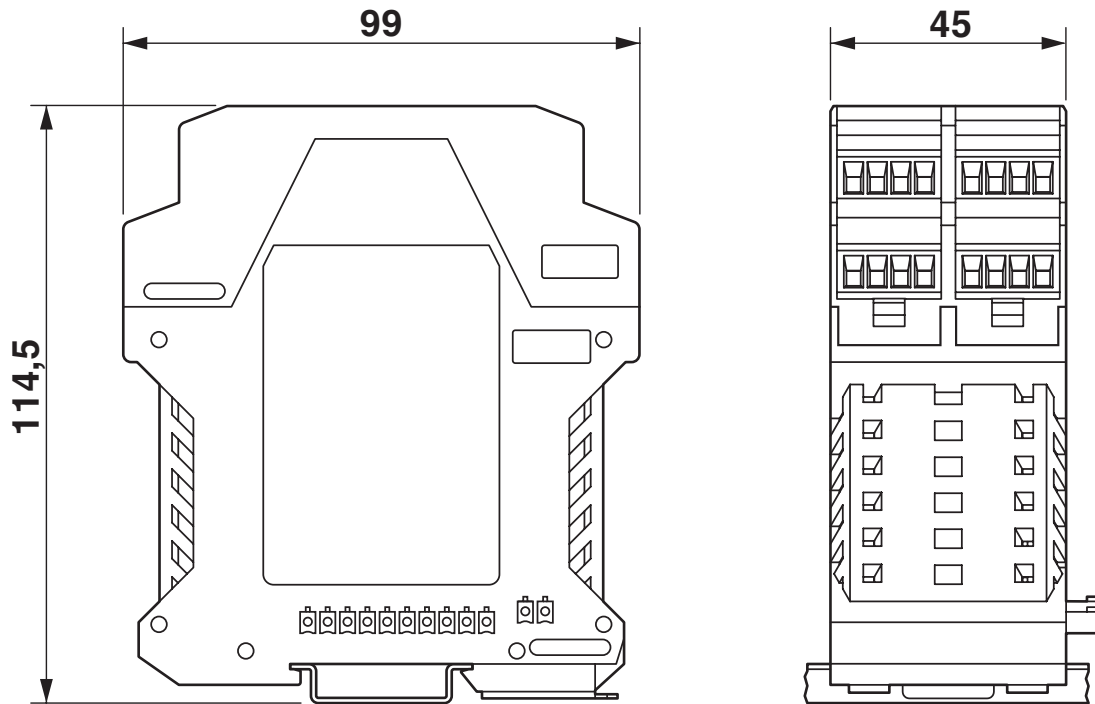
2702880

<https://www.phoenixcontact.com/us/products/2702880>



## Drawings

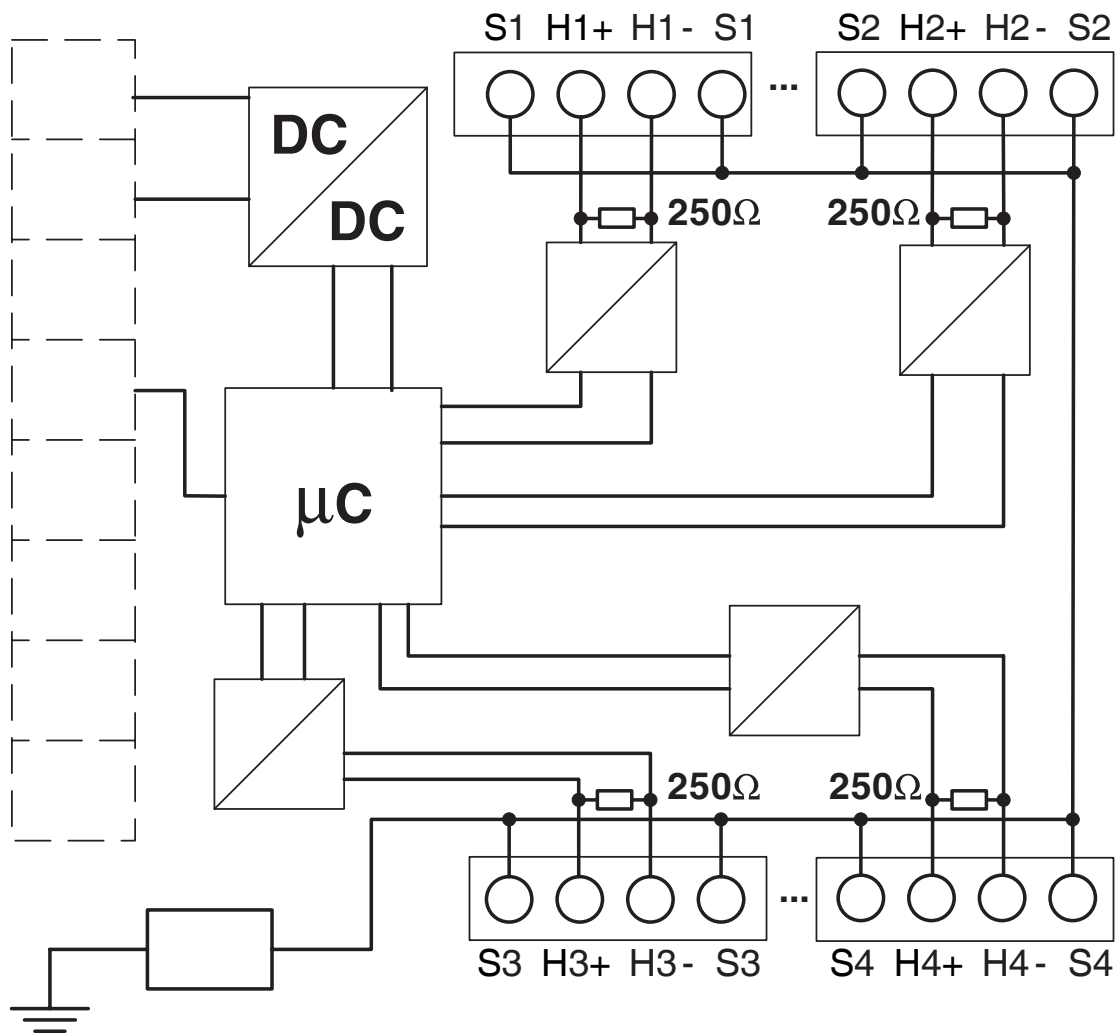
Dimensional drawing



2702880

<https://www.phoenixcontact.com/us/products/2702880>

Block diagram



# GW PL HART8-R-BUS - Protocol converter



2702880

<https://www.phoenixcontact.com/us/products/2702880>

## Classifications

### ECLASS

ECLASS-13.0	27242208
ECLASS-15.0	27242208

### UNSPSC

UNSPSC 21.0	32151700
-------------	----------

# GW PL HART8-R-BUS - Protocol converter



2702880

<https://www.phoenixcontact.com/us/products/2702880>

## Environmental product compliance

### EU RoHS

Fulfills EU RoHS substance requirements	Yes, No exemptions
---	--------------------

### China RoHS

Environment friendly use period (EFUP)	EFUP-50
	An article-related China RoHS declaration table can be found in the download area for the respective article under "Manufacturer declaration". For all articles with EFUP-E, no China RoHS declaration table issued and required.

### EU REACH SVHC

REACH candidate substance (CAS No.)	No substance above 0.1 wt%
-------------------------------------	----------------------------

Phoenix Contact 2026 © - all rights reserved  
<https://www.phoenixcontact.com>

Phoenix Contact USA  
586 Fulling Mill Road  
Middletown, PA 17057, United States  
(+717) 944-1300  
[info@phoenixcon.com](mailto:info@phoenixcon.com)