

# AXL F PSDOR4/2 1F - Safety module



2702858

<https://www.phoenixcontact.com/us/products/2702858>

Please be informed that the data shown in this PDF document is generated from our online catalog. Please find the complete data in the user documentation. Our general terms of use for downloads are valid.



Axioline F, Relay module, Functional safety, PROFIsafe, only for connection to Phoenix Contact or Siemens controller, Signal inputs: 2, Outputs OUT24V\_0 and OUT24V\_1: 2, Safe relay outputs: 4 (floating), N/O contact, max. 30 V DC, degree of protection: IP20

## Commercial data

Item number	2702858
Packing unit	1 pc
Minimum order quantity	1 pc
Sales key	DN03
Product key	DNA532
GTIN	4055626363271
Weight per piece (including packing)	270 g
Weight per piece (excluding packing)	218 g
Customs tariff number	85371098
Country of origin	DE

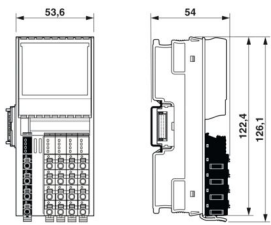
# AXL F PSDOR4/2 1F - Safety module

2702858

<https://www.phoenixcontact.com/us/products/2702858>

## Technical data

### Dimensions

Dimensional drawing	
Width	53.6 mm
Height	126.1 mm
Depth	54 mm
Note on dimensions	Housing dimensions

### Notes

#### Note on application

Note on application	Only for industrial use
---------------------	-------------------------

### Material specifications

Color (Housing)	yellow (RAL 1018)
-----------------	-------------------

### Interfaces

#### Axioline F local bus

Connection method	Bus base module
-------------------	-----------------

### System properties

#### Programming data (LocalbusSlave)

Input address area	5 Byte
Output address area	6 Byte

#### Fieldbus data telegram

Required parameter data	20 Byte ((I- and F-parameters))
Required configuration data	10 Byte

### Input data

#### Digital:

Input name	Signal inputs
Number of inputs	2
Input voltage	Power supply from clock outputs UT1 and UT2
Nominal input current at $U_{IN}$	typ. 3.2 mA

# AXL F PSDOR4/2 1F - Safety module



2702858

<https://www.phoenixcontact.com/us/products/2702858>

## Output data

### Digital:

Output name	Outputs OUT24V_0 and OUT24V_1
Number of outputs	2
Nominal output voltage	Power supply from $U_0$ or $U_1$

### Relay

Number of outputs	4 (floating)
Contact switching type	N/O contact
Switching voltage	min. 12 V AC/DC max. 30 V AC/DC
Switching current	min. 3 mA max. 6 A (30 V DC)
Switching power	min. 60 mW
Limiting continuous current	6 A
Mechanical service life	10x 10 <sup>6</sup> cycles
Output fuse	6 A gL/gG (See "Application examples" section)

## Product properties

Product type	I/O component
Product family	Axioline F
Application	Functional safety PROFIsafe only for connection to Phoenix Contact or Siemens controller
Type	modular
Mounting position	any
Operating mode	PROFIsafe 2.4, PROFIsafe 2.6.1

### Insulation characteristics

Overvoltage category	II (IEC 60664-1)
Pollution degree	2 (IEC 60664-1)

## Electrical properties

Maximum power dissipation for nominal condition	6.255 W
Transmission medium	Copper

### Potentials

Protection	max. 500 mA slow-blow (for $U_1$ ) max. 6 A gL/gG (For $U_0$ and $U_1$ respectively)
Protective circuit	Polarity reversal protection of the supply voltage; parallel protection against polarity reversal for a limited period of time Surge voltage detection; at 31 V Undervoltage detection; at 17 V Surge protection of the supply voltage; electronic (35 V, 0.5 s)

# AXL F PSDOR4/2 1F - Safety module



2702858

<https://www.phoenixcontact.com/us/products/2702858>

## Potentials: Axioline F local bus supply ( $U_{Bus}$ )

Supply voltage	5 V DC (via bus base module)
Current draw	max. 163 mA (at $U_{Bus}$ 5 V DC)
	typ. 93 mA (at $U_{Bus}$ 5 V DC)

## Potentials: Supply voltage $U_1$ for EDM

Supply voltage	24 V DC
Supply voltage range	19.2 V DC ... 30 V DC (including all tolerances, including ripple)
Current draw	max. 30 mA
	typ. 10 mA (Power supply from $U_1$ with 30 V DC, all inputs set)

## Potentials: Feed-in $U_0$ and $U_1$ for safe I/O supply

Supply voltage	24 V DC
Supply voltage range	19.2 V DC ... 30 V DC (including all tolerances, including ripple)
Current draw	max. 6 A
	typ. 1.6 mA (Power supply from $U_0$ with 30 V DC, all inputs set without load)

## Connection data

### Connection technology

Connection name	I/O
Note on the connection method	Note the specification in the section Conductor cross-sections, and stripping and insertion lengths.

### I/O

Connection method	Push-in connection
Note on the connection method	Note the specification in the section Conductor cross-sections, and stripping and insertion lengths.
Conductor cross-section, rigid	0.5 mm <sup>2</sup> ... 1.5 mm <sup>2</sup>
Conductor cross-section, flexible	0.5 mm <sup>2</sup> ... 1.5 mm <sup>2</sup>
Conductor cross-section AWG	20 ... 16
Stripping length	8 mm

## Environmental and real-life conditions

### Ambient conditions

Ambient temperature (operation)	-35 °C ... 60 °C
Degree of protection	IP20
Degree of protection at installation location	min. IP54
Air pressure (operation)	70 kPa ... 108 kPa
Air pressure (storage/transport)	66 kPa ... 108 kPa
Ambient temperature (storage/transport)	-40 °C ... 85 °C

### Mechanical test

Vibration resistance in accordance with EN 60068-2-6/IEC 60068-2-6	2g
Shock in accordance with EN 60068-2-27/IEC 60068-2-27	15g

# AXL F PSDOR4/2 1F - Safety module



2702858

<https://www.phoenixcontact.com/us/products/2702858>

Continuous shock in accordance with EN 60068-2-27/IEC 60068-2-27	10g
--	-----

## Standards and regulations

Protection class	III (IEC 61140-1)
------------------	-------------------

### Air clearances and creepage distances

Air clearances and creepage distances	IEC 60664-1
---------------------------------------	-------------

## Mounting

Mounting type	DIN rail mounting
Mounting position	any

# AXL F PSDOR4/2 1F - Safety module

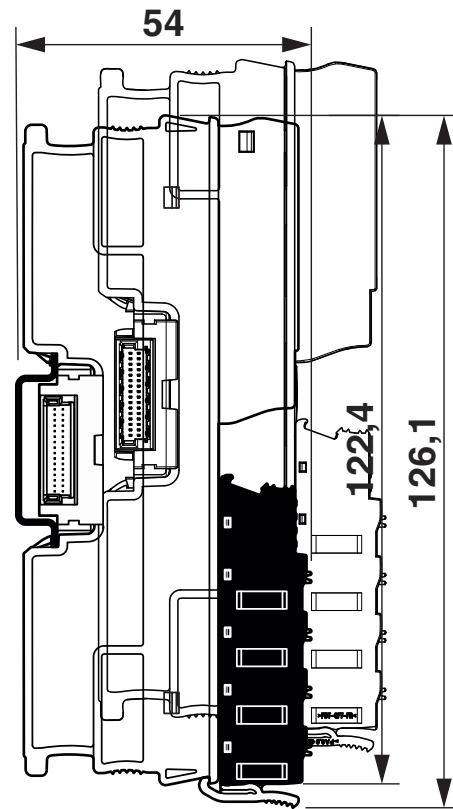
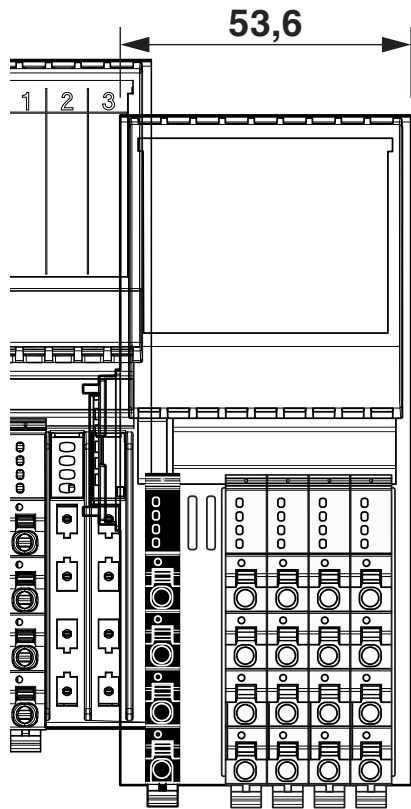
2702858

<https://www.phoenixcontact.com/us/products/2702858>



## Drawings

Dimensional drawing



# AXL F PSDOR4/2 1F - Safety module



2702858

<https://www.phoenixcontact.com/us/products/2702858>

## Approvals

To download certificates, visit the product detail page: <https://www.phoenixcontact.com/us/products/2702858>



**DNV GL**

Approval ID: TAA00000DF

**PROFIsafe**

Approval ID: Z20274

**BSH**

Approval ID: 840



**cULus Listed**

Approval ID: E238705

**FS Thermoprocess**

Approval ID: 968 INS 799.01 25

# AXL F PSDOR4/2 1F - Safety module



2702858

<https://www.phoenixcontact.com/us/products/2702858>

## Classifications

### ECLASS

ECLASS-13.0	27242604
ECLASS-15.0	27242604
ECLASS-15.0 ASSET	27250101

### ETIM

ETIM 10.0	EC001599
-----------	----------

### UNSPSC

UNSPSC 21.0	32151600
-------------	----------

# AXL F PSDOR4/2 1F - Safety module



2702858

<https://www.phoenixcontact.com/us/products/2702858>

## Environmental product compliance

### EU RoHS

Fulfills EU RoHS substance requirements	Yes
Exemption	7(a), 7(c)-I

### China RoHS

Environment friendly use period (EFUP)	EFUP-50
	An article-related China RoHS declaration table can be found in the download area for the respective article under "Manufacturer declaration". For all articles with EFUP-E, no China RoHS declaration table issued and required.

### EU REACH SVHC

REACH candidate substance (CAS No.)	Lead(CAS: 7439-92-1)
SCIP	8de11d23-404a-4c5d-9514-882fcd67e831

Phoenix Contact 2026 © - all rights reserved

<https://www.phoenixcontact.com>

Phoenix Contact USA  
586 Fulling Mill Road  
Middletown, PA 17057, United States  
(+717) 944-1300  
[info@phoenixcon.com](mailto:info@phoenixcon.com)