

AXL F BK EIP EF - Bus coupler



2702782

<https://www.phoenixcontact.com/us/products/2702782>

Please be informed that the data shown in this PDF document is generated from our online catalog. Please find the complete data in the user documentation. Our general terms of use for downloads are valid.



Axioline F, Bus coupler, EtherNet/IP™, RJ45 jack, extended function, transmission speed in the local bus: 100 Mbps, degree of protection: IP20, including bus base module and Axioline F connector

Product description

The bus coupler is intended for use within an EtherNet/IP™ network. It is the link to the Axioline F I/O system. Up to 63 Axioline F devices can be connected to the bus coupler. A corresponding EDS file is available for integrating the Axioline F station into the programming system. This file can be downloaded at: www.phoenixcontact.com/product/2702782

Your advantages

- 2 Ethernet ports (with integrated switch)
- Transmission speed of 10 Mbps and 100 Mbps
- Rotary coding switches for setting the IP address assignment and other functions
- Firmware can be updated
- Runtime in bus coupler is negligible (almost 0 μ s)
- Typical cycle time of the Axioline F local bus is around 10 μ s
- Web-based management
- Supports the operation of Axioline Smart Elements
- Supports passive Smart Elements (firmware version 1.30 or later)
- Supports IOL-CONF (firmware version 1.30 and later)
- Supports Diag+

Commercial data

| | |
|--------------------------------------|---------------|
| Item number | 2702782 |
| Packing unit | 1 pc |
| Minimum order quantity | 1 pc |
| Sales key | DR02 |
| Product key | DRI21D |
| GTIN | 4055626320533 |
| Weight per piece (including packing) | 210.7 g |
| Weight per piece (excluding packing) | 222.7 g |
| Customs tariff number | 85176200 |
| Country of origin | DE |

AXL F BK EIP EF - Bus coupler

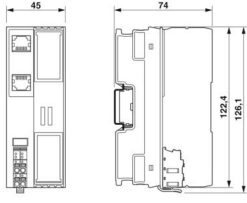


2702782

<https://www.phoenixcontact.com/us/products/2702782>

Technical data

Dimensions

| | |
|---------------------|--|
| Dimensional drawing |  |
| Width | 45 mm |
| Height | 126.1 mm |
| Depth | 74 mm |
| Note on dimensions | The depth applies when a TH 35-7.5 DIN rail is used (in accordance with EN 60715). |

Notes

| | |
|---------------------|-------------------------|
| Note on application | |
| Note on application | Only for industrial use |

Material specifications

| | |
|-----------------|-----------------|
| Color (Housing) | gray (RAL 7042) |
|-----------------|-----------------|

Interfaces

| | |
|---------------------|--------------|
| Supported protocols | EtherNet/IP™ |
| | SNMP |
| | HTTP |
| | TFTP |
| | FTP |
| | BootP |
| | DHCP |
| | DCP |
| DLR | |

EtherNet/IP™

| | |
|-------------------------------|--|
| Number of interfaces | 2 |
| Connection method | RJ45 jack |
| Note on the connection method | Auto negotiation and autocrossing |
| Transmission speed | 10/100 Mbps (Half or full duplex mode (automatic detection, can be adjusted manually)) |
| Transmission physics | Ethernet in RJ45 twisted pair |

Axioline F local bus

| | |
|----------------------|-----------------|
| Number of interfaces | 1 |
| Connection method | Bus base module |

AXL F BK EIP EF - Bus coupler



2702782

<https://www.phoenixcontact.com/us/products/2702782>

| | |
|----------------------|---|
| Transmission speed | 100 Mbps |
| Service | |
| Number of interfaces | 1 |
| Connection method | USB type C (from HW 01) Micro USB type B (HW 00) |

System properties

System limits

| | |
|---|-----------------------|
| Amount of process data (Input data) | max. 504 Byte |
| Amount of process data (Output data) | max. 504 Byte |
| Number of supported devices | max. 63 (per station) |
| Number of local bus devices that can be connected | max. 63 |

Programming data

| | |
|--------------------------|-----------|
| Register length (master) | 1484 Byte |
|--------------------------|-----------|

Product properties

| | |
|--------------------|--|
| Product type | I/O component |
| Product family | Axioline F |
| Type | block modular |
| Mounting position | any (observe temperature derating) |
| Scope of supply | including bus base module and Axioline F connector |
| Special properties | extended function |

Insulation characteristics

| | |
|----------------------|------------------------------|
| Overvoltage category | II (IEC 60664-1, EN 60664-1) |
| Pollution degree | 2 (IEC 60664-1, EN 60664-1) |

Electrical properties

| | |
|---|-----|
| Maximum power dissipation for nominal condition | 4 W |
|---|-----|

Potentials: Communications power U_L feed-in (the supply of the Axioline F local bus U_{BUS} is generated from U_L)

| | |
|----------------------|---|
| Supply voltage | 24 V DC |
| Supply voltage range | 19.2 V DC ... 30 V DC (including all tolerances, including ripple) |
| Current draw | max. 583 mA (2.0 A at U_{BUS} , $U_L = 24$ V, HW 00) max. 670 mA (2.5 A at U_{BUS} , $U_L = 24$ V, HW 01 or later) |
| Current consumption | typ. 105 mA (without I/O modules, $U_L = 24$ V, HW 00) typ. 85 mA (without I/O modules, $U_L = 24$ V, from HW 01) |
| Protective circuit | Surge protection; electronic Reverse polarity protection; electronic |

Potentials: Axioline F local bus supply (U_{BUS})

| | |
|-------------------|---|
| Supply voltage | 5 V DC (via bus base module) |
| Power supply unit | max. 2 A (HW 00) max. 2.5 A (from HW 01) |

AXL F BK EIP EF - Bus coupler



2702782

<https://www.phoenixcontact.com/us/products/2702782>

Electrical isolation/isolation of the voltage ranges

| | |
|--|-------------------------|
| Test voltage: Ethernet interface 1 / Ethernet interface 2 | 1500 V AC, 50 Hz, 1 min |
| Test voltage: Ethernet interface 1 / 24 V communications voltage (U _L) feed-in | 1500 V AC, 50 Hz, 1 min |
| Test voltage: Ethernet interface 2 / 24 V communications voltage (U _L) feed-in | 1500 V AC, 50 Hz, 1 min |
| Test voltage: Ethernet interface 1 / functional ground | 1500 V AC, 50 Hz, 1 min |
| Test voltage: Ethernet interface 2 / functional ground | 1500 V AC, 50 Hz, 1 min |
| Test voltage: 24 V communications voltage (U _L) feed-in / functional ground | 500 V AC, 50 Hz, 1 min |

Connection data

Connection technology

| | |
|-------------------------------|---|
| Connection name | Axioline F connector |
| Note on the connection method | Please observe the information provided on conductor cross-sections in the "Axioline F: system and installation" user manual. |

Axioline F connector

| | |
|-----------------------------------|---|
| Connection method | Push-in connection |
| Note on the connection method | Please observe the information provided on conductor cross-sections in the "Axioline F: system and installation" user manual. |
| Conductor cross-section, rigid | 0.2 mm ² ... 1.5 mm ² |
| Conductor cross-section, flexible | 0.2 mm ² ... 1.5 mm ² |
| Conductor cross-section AWG | 24 ... 16 |
| Stripping length | 8 mm |

Environmental and real-life conditions

Ambient conditions

| | |
|--|--|
| Ambient temperature (operation) | -25 °C ... 60 °C (Mounting position: panel mounting on horizontal DIN rail) -25 °C ... 55 °C (Mounting position: any) |
| Degree of protection | IP20 |
| Air pressure (operation) | 70 kPa ... 106 kPa (up to 3000 m above sea level) |
| Air pressure (storage/transport) | 70 kPa ... 106 kPa (up to 3000 m above sea level) |
| Ambient temperature (storage/transport) | -40 °C ... 85 °C |
| Permissible humidity (operation) | 5 % ... 95 % (non-condensing) |
| Permissible humidity (storage/transport) | 5 % ... 95 % (non-condensing) |

Mechanical test

| | |
|--|-----|
| Vibration resistance in accordance with EN 60068-2-6/IEC 60068-2-6 | 5g |
| Shock in accordance with EN 60068-2-27/IEC 60068-2-27 | 30g |
| Continuous shock in accordance with EN 60068-2-27/IEC 60068-2-27 | 10g |

Standards and regulations

AXL F BK EIP EF - Bus coupler



2702782

<https://www.phoenixcontact.com/us/products/2702782>

| | |
|------------------|---------------------------------------|
| Protection class | III (IEC 61140, EN 61140, VDE 0140-1) |
|------------------|---------------------------------------|

Mounting

| | |
|-------------------|------------------------------------|
| Mounting type | DIN rail mounting |
| Mounting position | any (observe temperature derating) |

AXL F BK EIP EF - Bus coupler

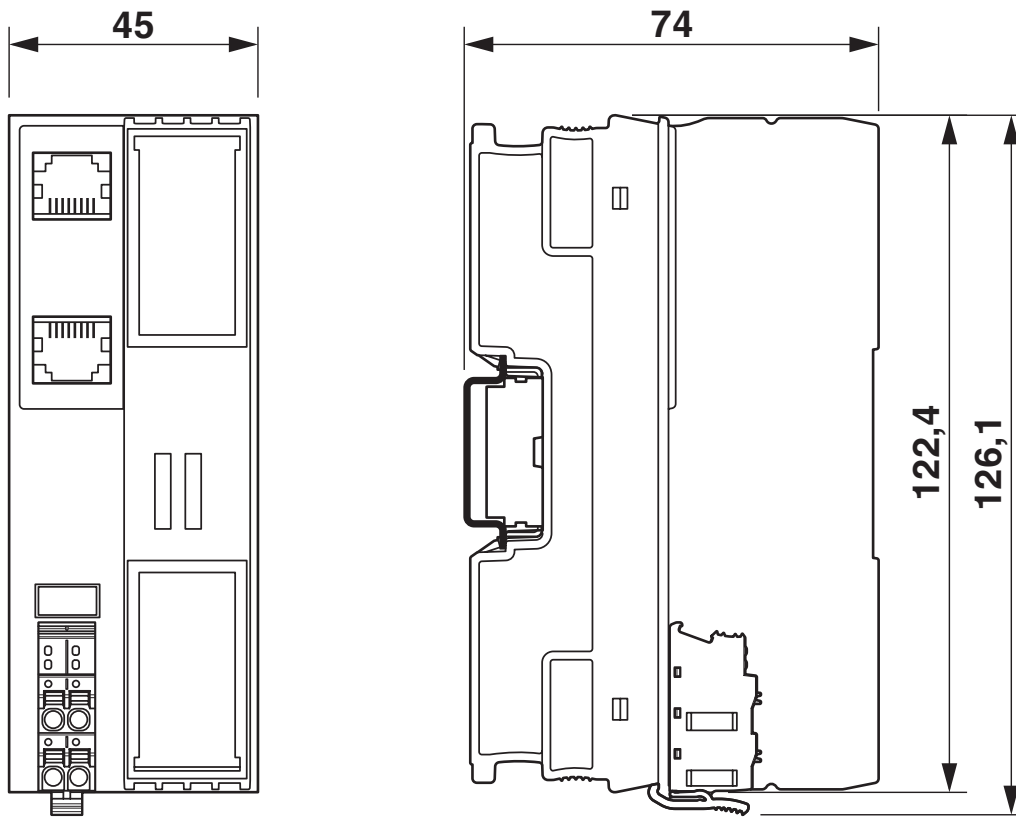


2702782

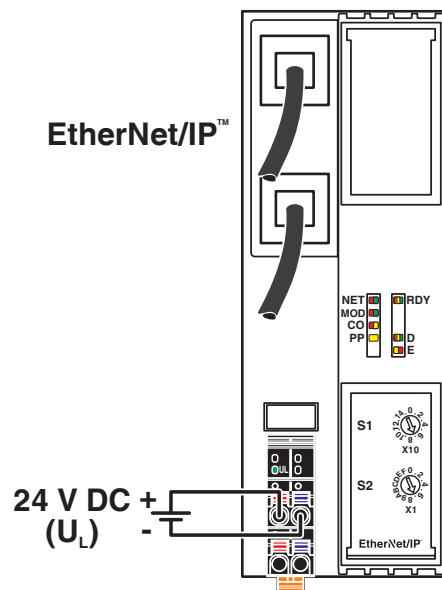
<https://www.phoenixcontact.com/us/products/2702782>

Drawings

Dimensional drawing



Connection diagram

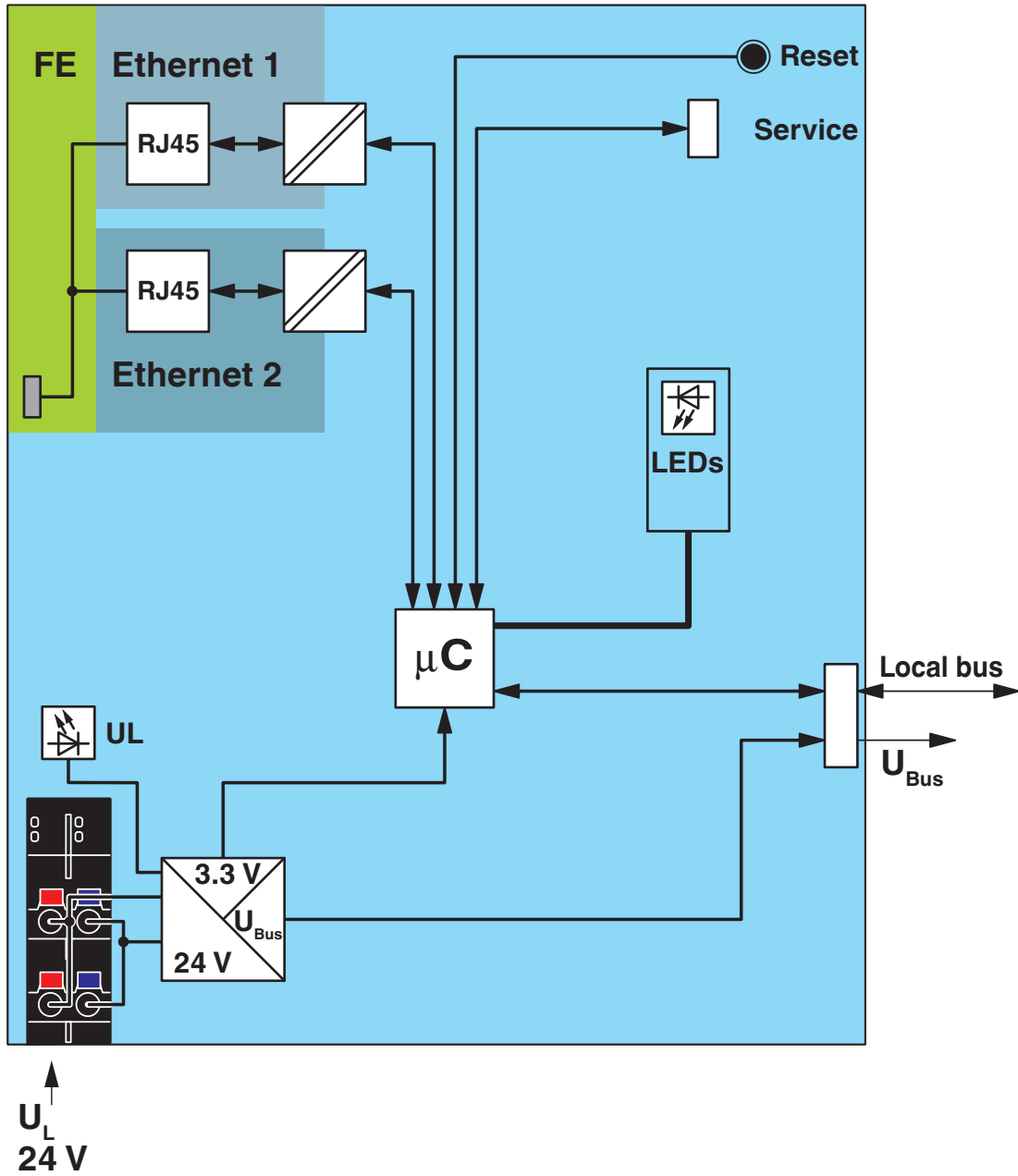


AXL F BK EIP EF - Bus coupler

2702782

<https://www.phoenixcontact.com/us/products/2702782>

Block diagram



Internal wiring of the terminal points

AXL F BK EIP EF - Bus coupler



2702782

<https://www.phoenixcontact.com/us/products/2702782>

Approvals

To download certificates, visit the product detail page: <https://www.phoenixcontact.com/us/products/2702782>

DeviceNet™

DeviceNet

Approval ID: 11509.02



cULus Listed

Approval ID: E238705



cULus Listed

Approval ID: E238705

AXL F BK EIP EF - Bus coupler



2702782

<https://www.phoenixcontact.com/us/products/2702782>

Classifications

ECLASS

| | |
|-------------|----------|
| ECLASS-13.0 | 27242608 |
| ECLASS-15.0 | 27242608 |

ETIM

| | |
|-----------|----------|
| ETIM 10.0 | EC001604 |
|-----------|----------|

UNSPSC

| | |
|-------------|----------|
| UNSPSC 21.0 | 32151600 |
|-------------|----------|

AXL F BK EIP EF - Bus coupler



2702782

<https://www.phoenixcontact.com/us/products/2702782>

Environmental product compliance

EU RoHS

| | |
|---|--------------|
| Fulfills EU RoHS substance requirements | Yes |
| Exemption | 7(a), 7(c)-I |

China RoHS

| | |
|--|---|
| Environment friendly use period (EFUP) | EFUP-50 |
| | An article-related China RoHS declaration table can be found in the download area for the respective article under "Manufacturer declaration". For all articles with EFUP-E, no China RoHS declaration table issued and required. |

EU REACH SVHC

| | |
|-------------------------------------|---|
| REACH candidate substance (CAS No.) | 4,4'-isopropylidenediphenol(CAS: 80-05-7) |
| | Lead(CAS: 7439-92-1) |
| SCIP | 7b3f465e-3811-4266-aaf8-b6f6a64ea7c3 |

Phoenix Contact 2026 © - all rights reserved
<https://www.phoenixcontact.com>

Phoenix Contact USA
586 Fulling Mill Road
Middletown, PA 17057, United States
(+717) 944-1300
info@phoenixcon.com