

# AXL F PM EF 1F - Function module



2702671

<https://www.phoenixcontact.com/us/products/2702671>

Please be informed that the data shown in this PDF document is generated from our online catalog. Please find the complete data in the user documentation. Our general terms of use for downloads are valid.



Axioline F, power measurement module, input voltage: up to 400 V AC (phase/neutral) or 690 V AC (phase/phase), input current: up to 5 A AC, transmission speed in local bus: 100 Mbps, degree of protection: IP20, including bus base module and Axioline F connectors

## Product description

The module is designed for use within an Axioline F station. The power measurement module is used for direct measurement of AC currents up to 5 A, including neutral conductor current and phase voltages up to 400 V AC (phase/neutral conductor) or phase-to-phase voltages up to 690 V AC (phase/phase). The module is used to perform analysis of AC power grids. You can use it in distribution systems for measuring current, voltage, and power, as well as detecting distortion and harmonics. You can use the power measurement module to acquire RMS values and instantaneous values. RMS values are used to acquire mains variables of three-phase mains networks. Mains variables are phase currents, neutral conductor current, phase and phase-to-phase voltages, active power, reactive power, and apparent power, power factors of the phases, energy flow directions, frequency. Instantaneous values are used to analyze the waveform of the measuring signal.

## Your advantages

- 4 inputs, 0 A AC ... 5 A AC for phase currents and neutral conductor current
- 3 inputs for outer conductor voltages up to 690 V AC, supports direct connection
- Harmonics analysis
- Determination of maximum values
- Energy meter
- Process data update < 500  $\mu$ s
- Also suitable for use in IT networks

## Commercial data

Item number	2702671
Packing unit	1 pc
Minimum order quantity	1 pc
Sales key	DR02
Product key	DRI265
GTIN	4055626364940
Weight per piece (including packing)	293.9 g
Weight per piece (excluding packing)	222 g
Customs tariff number	85437090
Country of origin	DE

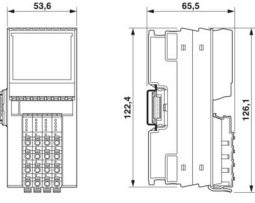
# AXL F PM EF 1F - Function module

2702671

<https://www.phoenixcontact.com/us/products/2702671>

## Technical data

### Dimensions

Dimensional drawing	
Width	53.6 mm
Height	126.1 mm
Depth	65.5 mm
Note on dimensions	The depth applies when a TH 35-7.5 DIN rail is used (in accordance with EN 60715).

### Notes

Note on application	
Note on application	Only for industrial use
Utilization restriction	
EMC note	EMC: class A product, see manufacturer's declaration in the download area

### Interfaces

Axioline F local bus	
Number of interfaces	2
Connection method	Bus base module
Transmission speed	100 Mbps

### System properties

Module	
Input address area	64 Byte
Output address area	0 Byte
Required parameter data	26 Byte
Required configuration data	6 Byte

### Product properties

Product type	I/O component
Product family	Axioline F
Type	block modular
Mounting position	any (no temperature derating)
Operating mode	Process data mode with 32 words

# AXL F PM EF 1F - Function module



2702671

<https://www.phoenixcontact.com/us/products/2702671>

## Insulation characteristics

Pollution degree	2 (IEC 60664-1, EN 60664-1)
------------------	-----------------------------

## Electrical properties

Maximum power dissipation for nominal condition	2.15 W
---	--------

### Potentials: Axioline F local bus supply ( $U_{Bus}$ )

Supply voltage	5 V DC (via bus base module)
Current draw	max. 80 mA typ. 73 mA

### Electrical isolation/isolation of the voltage ranges

Test voltage: 5 V supply for local bus ( $U_{Bus}$ ) / peripheral range AC	4 kV, 50 Hz, 1 min
Test voltage: 5 V supply of the local bus ( $U_{Bus}$ ) / functional ground	500 V AC, 50 Hz, 1 min
Test voltage: Peripheral range for AC/functional ground	4 kV, 50 Hz, 1 min

## Connection data

### Connection technology

Connection name	Axioline F connector
Note on the connection method	Please observe the information provided on conductor cross-sections in the "Axioline F: system and installation" user manual. Only use reinforced or double-insulated conductors with a conductor cross-section of 1.5 mm <sup>2</sup> .

### Axioline F connector

Connection method	Push-in connection
Note on the connection method	Please observe the information provided on conductor cross-sections in the "Axioline F: system and installation" user manual. Only use reinforced or double-insulated conductors with a conductor cross-section of 1.5 mm <sup>2</sup> .
Conductor cross-section, rigid	1.5 mm <sup>2</sup>
Conductor cross-section, flexible	1.5 mm <sup>2</sup>
Conductor cross-section AWG	16
Stripping length	8 mm

## Environmental and real-life conditions

### Ambient conditions

Ambient temperature (operation)	-25 °C ... 60 °C
Degree of protection	IP20
Air pressure (operation)	70 kPa ... 106 kPa (up to 3000 m above sea level, from HW 01)
Air pressure (storage/transport)	70 kPa ... 106 kPa (up to 3000 m above sea level)
Ambient temperature (storage/transport)	-40 °C ... 85 °C
Permissible humidity (operation)	5 % ... 95 % (non-condensing)
Permissible humidity (storage/transport)	5 % ... 95 % (non-condensing)

# AXL F PM EF 1F - Function module



2702671

<https://www.phoenixcontact.com/us/products/2702671>

## Standards and regulations

Protection class	II
------------------	----

## Mounting

Mounting type	DIN rail mounting
Mounting position	any (no temperature derating)

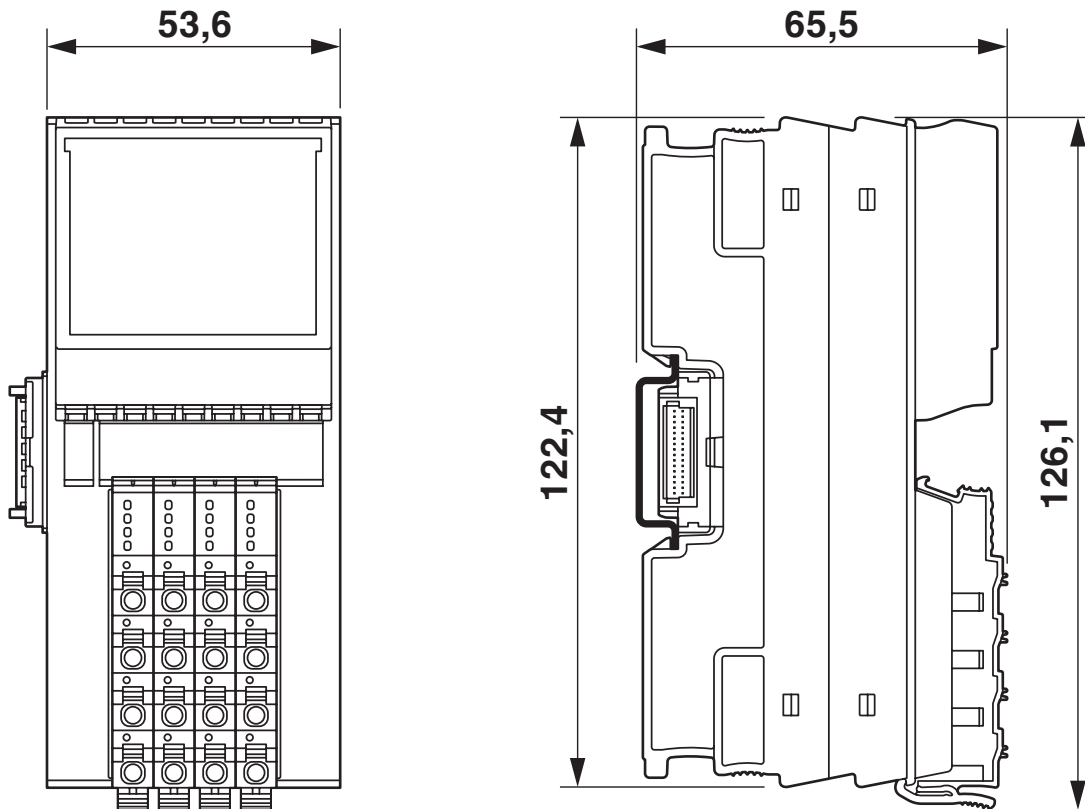
# AXL F PM EF 1F - Function module

2702671

<https://www.phoenixcontact.com/us/products/2702671>

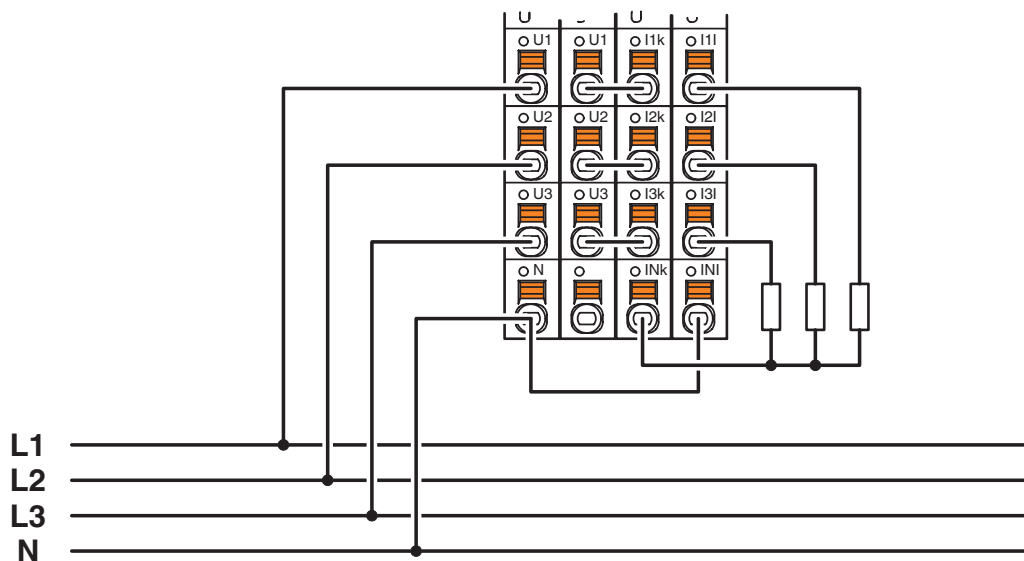
## Drawings

Dimensional drawing



Dimensions (in mm)

Connection diagram



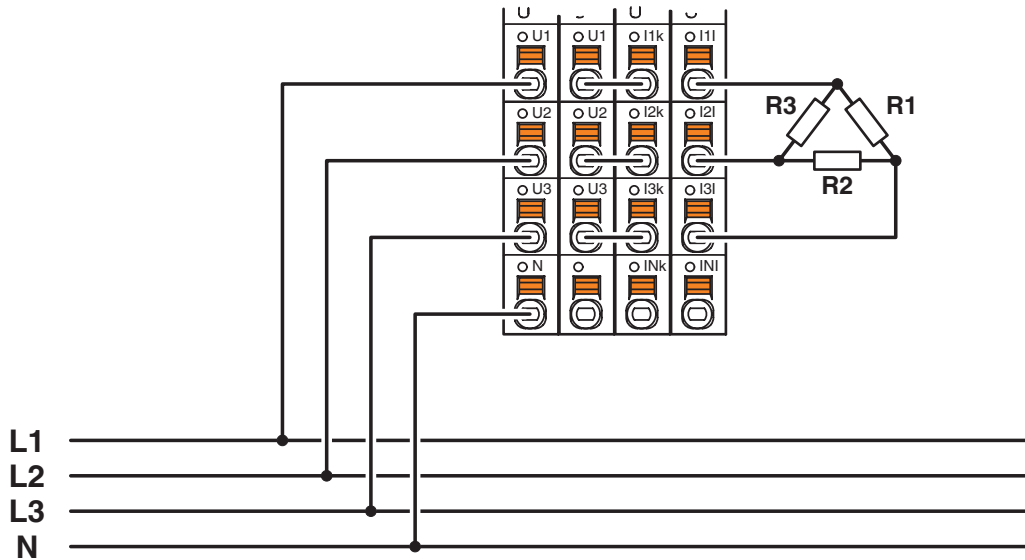
Connection of a 3-phase load for power measurement in star connection with neutral conductor current

# AXL F PM EF 1F - Function module

2702671

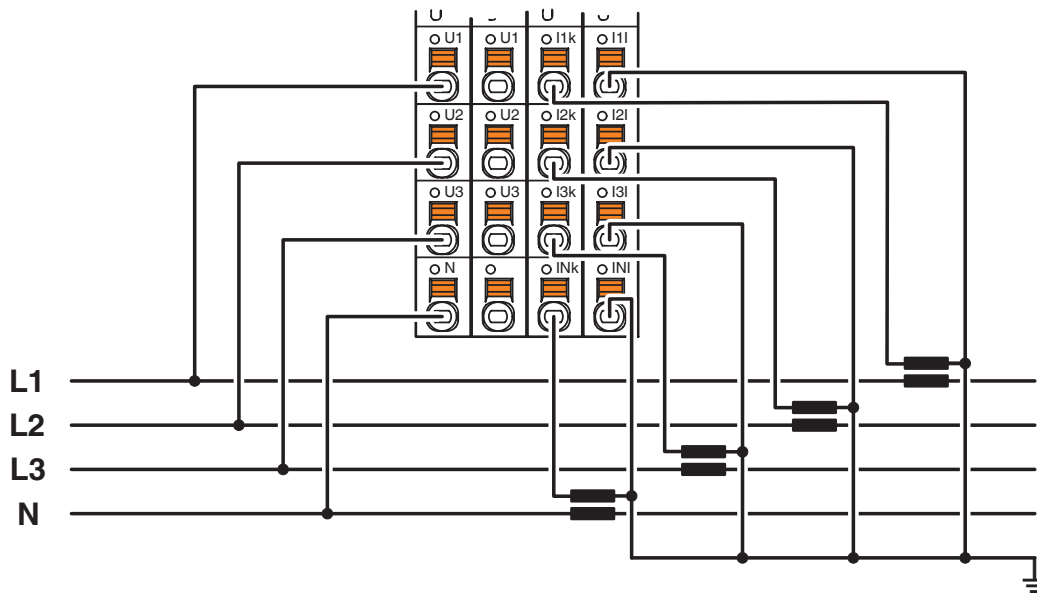
<https://www.phoenixcontact.com/us/products/2702671>

Connection diagram



Connection of a 3-phase load for power measurement in delta circuit

Connection diagram



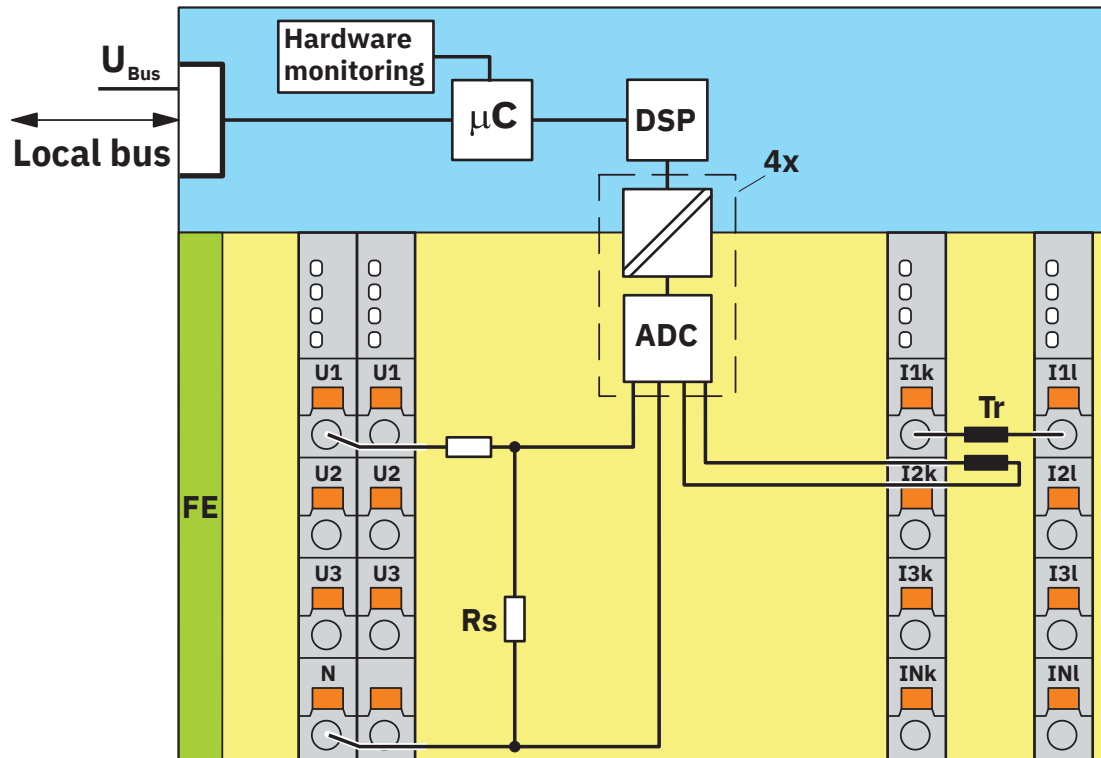
Connection of a 4-conductor grid with current transformers

# AXL F PM EF 1F - Function module

2702671

<https://www.phoenixcontact.com/us/products/2702671>

Block diagram



Internal wiring of the terminal points

# AXL F PM EF 1F - Function module



2702671

<https://www.phoenixcontact.com/us/products/2702671>

## Approvals

To download certificates, visit the product detail page: <https://www.phoenixcontact.com/us/products/2702671>



**UL Listed**

Approval ID: E357804



**cUL Listed**

Approval ID: E357804



**cUL Listed**

Approval ID: E357804



**UL Listed**

Approval ID: E357804

# AXL F PM EF 1F - Function module



2702671

<https://www.phoenixcontact.com/us/products/2702671>

## Classifications

### ECLASS

ECLASS-13.0	27242605
ECLASS-15.0	27242605

### ETIM

ETIM 10.0	EC001601
-----------	----------

### UNSPSC

UNSPSC 21.0	32151600
-------------	----------

# AXL F PM EF 1F - Function module



2702671

<https://www.phoenixcontact.com/us/products/2702671>

## Environmental product compliance

### EU RoHS

Fulfills EU RoHS substance requirements	Yes
Exemption	7(c)-I

### China RoHS

Environment friendly use period (EFUP)	EFUP-50
	An article-related China RoHS declaration table can be found in the download area for the respective article under "Manufacturer declaration". For all articles with EFUP-E, no China RoHS declaration table issued and required.

### EU REACH SVHC

REACH candidate substance (CAS No.)	No substance above 0.1 wt%
-------------------------------------	----------------------------

Phoenix Contact 2026 © - all rights reserved  
<https://www.phoenixcontact.com>

Phoenix Contact USA  
586 Fulling Mill Road  
Middletown, PA 17057, United States  
(+717) 944-1300  
[info@phoenixcon.com](mailto:info@phoenixcon.com)