

# FL SWITCH 2108 - Industrial Ethernet Switch



2702666

<https://www.phoenixcontact.com/us/products/2702666>

Please be informed that the data shown in this PDF document is generated from our online catalog. Please find the complete data in the user documentation. Our general terms of use for downloads are valid.



The figure shows a version of the product

Managed Switch 2000 series, 8 RJ45 ports 10/100/1000 Mbps, degree of protection: IP20, Ambient temperature (operation): 0 °C ... 60 °C, Supply voltage range: 18 V DC ... 32 V DC, PROFINET Conformance Class A, Development process certified in accordance with IEC 62443-4-1, Product certified in accordance with IEC 62443-4-2

## Your advantages

- MRP client
- VLANs
- Unmanaged Mode
- DHCP client, DHCP server (port-based)
- RSTP
- Configuration memory
- Web-based management, SNMP
- Easy and fast startup and commissioning with the FL NETWORK MANAGER software
- Suitable for PROFINET and EtherNet/IP™ networks

## Commercial data

Item number	2702666
Packing unit	1 pc
Minimum order quantity	1 pc
Sales key	DN17
Product key	DNN121
GTIN	4055626283418
Weight per piece (including packing)	414.6 g
Weight per piece (excluding packing)	240 g
Customs tariff number	85176200
Country of origin	DE

# FL SWITCH 2108 - Industrial Ethernet Switch

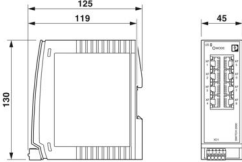


2702666

<https://www.phoenixcontact.com/us/products/2702666>

## Technical data

### Dimensions

Dimensional drawing	
Width	45 mm
Height	130 mm
Depth	119 mm

### Notes

#### Utilization restriction

EMC note	EMC: class A product, see manufacturer's declaration in the download area
----------	---

### Material specifications

Color (Housing)	gray (RAL 7042)
Housing material	Polycarbonate fiber reinforced

### Mounting

Mounting type	DIN rail mounting
---------------	-------------------

### Interfaces

#### Ethernet (RJ45)

Connection method	RJ45
Note on the connection method	Auto negotiation and autocrossing
Transmission speed	10/100/1000 Mbps
Transmission physics	Copper
Transmission length	100 m (per segment)
Signal LEDs	Data receive, link status
No. of channels	8 (RJ45 ports)

### Product properties

Product type	Switch
Product family	Managed Switch 2000
Type	Book type
MTTF	398.76 Years (SN 29500 standard, temperature 25°C, operating cycle 21%) 174.97 Years (SN 29500 standard, temperature 40°C, operating cycle 34.25%)

# FL SWITCH 2108 - Industrial Ethernet Switch



2702666

<https://www.phoenixcontact.com/us/products/2702666>

	31.76 Years (SN 29500 standard, temperature 55°C, operating cycle 100%)
Special properties	Development process certified in accordance with IEC 62443-4-1 Product certified in accordance with IEC 62443-4-2
Signal delay	≥ 1.9 µs (Store-and-Forward mode, 10/100/1000 Mbps, depending on the frame size)

## Insulation characteristics

Protection class	III (VDE 0106)
Degree of pollution	2

## Switch functions

Diagnostic functions	RMON History
	LLDP (Link Layer Discovery Protocol)
	SNMP-Traps
	N:1-Portmirroring
	ACD (Address Conflict Detection)
	SysLog
	CRC-Surveillance
Basic functions	Store-and-forward switch, complies with IEEE 802.3
PROFINET conformance class	Conformance Class A
Filter functions	Quality of Service (8 priority classes)
	Class of Service
	DiffServ/DSCP
	Port-Priorisierung
	VLAN (up to 8 VLANs)
	IGMP Snooping/Querier (v1/v2)
	Auto-Query-Port
IP parameterization	Extended Multicast Filtering
	DHCP client
	DHCP server (port based)
MAC address table	8k
Management	BootP
	Web-based management (HTTP/HTTPS)
	Role-based user management (LDAP)
	SNMPv1/v2/v3
Redundancy	Command Line Interface (Telnet, SSH)
	MRP (Media Redundancy Protocol)
Status and diagnostic indicators	RSTP (Rapid Spanning Tree Protocol)
	LEDs: US (power supply), 2 LEDs per Ethernet port (Link/Activity and Speed)
Additional functions	Jumbo frames (max. 9,600 bytes)
	Transmission of MMS and GOOSE (IEC 61850-8-1)
	Transmission of Modbus/TCP
Time synchronization	SNTP (Simple Network Time Protocol)

## Security functions

Basic functions	Store-and-forward switch, complies with IEEE 802.3
-----------------	--

## Electrical properties

Current consumption	275 mA
Local diagnostics	US Supply voltage Green LED
	LINK Link status Green LED
	SPD Data transmission speed Green/orange LED
Maximum power dissipation for nominal condition	7.02 W (At $U_S = 18$ V DC and 60°C ambient temperature)
Test section	24 V supply / functional ground 500 V DC 1 min
	Ethernet interface/all other potentials 2.25 kV DC 1 min
Transmission medium	Copper

## Supply

Supply voltage (DC)	24 V DC (single)
Supply voltage range	18 V DC ... 32 V DC
Power supply connection	via COMBICON, max. conductor cross-section 1.5 mm <sup>2</sup>
Residual ripple	3.6 V <sub>PP</sub> (within the permitted voltage range)
Max. current consumption	0.4 A (At $U_S = 18$ V DC and 60°C ambient temperature)
Typical current consumption	275 mA (at $U_S = 24$ V DC and 25 °C ambient temperature)
Current consumption	275 mA

## Connection data

Connection method	Push-in spring connection
Note on the connection method	Use only copper connecting cables providing the permitted temperature range (-40 °C ... 75 °C)
pluggable	yes
Conductor cross-section, rigid	0.25 mm <sup>2</sup> ... 1.5 mm <sup>2</sup>
Conductor cross-section, flexible	0.25 mm <sup>2</sup> ... 1.5 mm <sup>2</sup>
Conductor cross-section AWG	24 ... 16
Stripping length	9 mm

## Environmental and real-life conditions

### Ambient conditions

Degree of protection	IP20
Ambient temperature (operation)	0 °C ... 60 °C
Ambient temperature (storage/transport)	-40 °C ... 85 °C
Permissible humidity (operation)	10 % ... 95 % (non-condensing)
Permissible humidity (storage/transport)	10 % ... 95 % (non-condensing)
Shock (operation)	30g (EN 60068-2-27)
Vibration (operation)	2g, according to IEC 60068-2-6
Air pressure (operation)	86 kPa ... 108 kPa (1500 m above sea level)
Air pressure (storage/transport)	86 kPa ... 108 kPa (1500 m above sea level)

# FL SWITCH 2108 - Industrial Ethernet Switch



2702666

<https://www.phoenixcontact.com/us/products/2702666>

## Standards and regulations

Free from substances that could impair the application of coating	Yes
---	-----

## Approvals

UL, USA/Canada

Identification	cULus
Note	UL 61010-1, Ed. 3 / UL 61010-2-201, Ed. 1, CSA C22.2 NO. 61010-2-201:14, Ed. 1 / CSA C22.2 NO.61010-1-12, Ed. 3

## EMC data

Electromagnetic compatibility	Conformance with EMC Directive 2014/30/EU
Conformance with EMC directives	EN 61000-6-2 EN 61000-4-2 (ESD) Criterion B
	EN 61000-6-2 EN 61000-4-3 (electromagnetic fields) Criterion A
	EN 61000-6-2 EN 61000-4-4 (EFT burst) Criterion A
	EN 61000-6-2 EN 61000-4-5 (surge) Criterion A
	EN 61000-6-2 EN 61000-4-6 (line noise immunity) Criterion A
	EN 61000-6-2 EN 61000-6-4 (interference) Class A
EN 61000-6-2 EN 61000-6-4 (conducted interference) Class A	
Noise immunity	EN 61000-6-2

Noise emission

Standards/regulations	EN 61000-6-4
-----------------------	--------------

## System properties

Functionality

Basic functions	Store-and-forward switch, complies with IEEE 802.3
-----------------	--

## Signaling

Status display	LEDs: US (power supply), 2 LEDs per Ethernet port (Link/Activity and Speed)
----------------	---

# FL SWITCH 2108 - Industrial Ethernet Switch

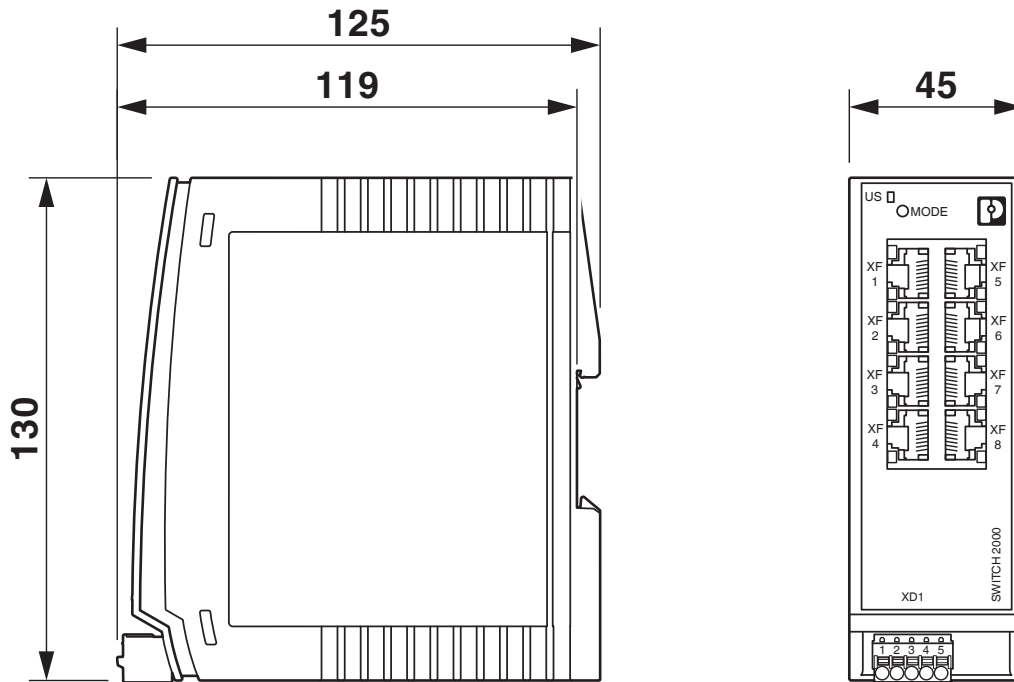
2702666

<https://www.phoenixcontact.com/us/products/2702666>



## Drawings

Dimensional drawing



# FL SWITCH 2108 - Industrial Ethernet Switch



2702666

<https://www.phoenixcontact.com/us/products/2702666>

## Approvals

To download certificates, visit the product detail page: <https://www.phoenixcontact.com/us/products/2702666>



**cULus Listed**

Approval ID: E238705

**CC-Link IE Field**

**CC-Link IE Field**

Approval ID: Ref. No. 101

**Cybersecurity Certificate**

Approval ID: 968 CSP 1043.00 25

# FL SWITCH 2108 - Industrial Ethernet Switch



2702666

<https://www.phoenixcontact.com/us/products/2702666>

## Classifications

### ECLASS

ECLASS-13.0	19170401
ECLASS-15.0	19170401

### ETIM

ETIM 10.0	EC000734
-----------	----------

### UNSPSC

UNSPSC 21.0	43222600
-------------	----------

# FL SWITCH 2108 - Industrial Ethernet Switch



2702666

<https://www.phoenixcontact.com/us/products/2702666>

## Environmental product compliance

### EU RoHS

Fulfills EU RoHS substance requirements	Yes
Exemption	7(a), 7(c)-I

### China RoHS

Environment friendly use period (EFUP)	EFUP-50
	An article-related China RoHS declaration table can be found in the download area for the respective article under "Manufacturer declaration". For all articles with EFUP-E, no China RoHS declaration table issued and required.

### EU REACH SVHC

REACH candidate substance (CAS No.)	Lead(CAS: 7439-92-1)
SCIP	9f639afc-ca11-4373-afe2-353180d325ee

### EF3.1 Climate Change

CO2e kg	8.769 kg CO2e
---------	---------------

Phoenix Contact 2026 © - all rights reserved  
<https://www.phoenixcontact.com>

Phoenix Contact USA  
586 Fulling Mill Road  
Middletown, PA 17057, United States  
(+717) 944-1300  
[info@phoenixcon.com](mailto:info@phoenixcon.com)