

AXL F IMPULSE2 XC 1H - Function module



2702655

<https://www.phoenixcontact.com/us/products/2702655>

Please be informed that the data shown in this PDF document is generated from our online catalog. Please find the complete data in the user documentation. Our general terms of use for downloads are valid.



Axioline F, Function module, Position detection; Digital inputs: 4, 24 V DC; transmission speed in the local bus: 100 Mbps; degree of protection: IP20; Start/stop interface with differential input and differential output: 2, Extreme conditions version; Scope of supply: including bus base module and Axioline F connectors

Product description

The module is designed for use within an Axioline F station. It is used to evaluate magnetostrictive position sensors with start/stop interface. The module determines the position by measuring the runtime of one or more mechanical waves in the connected magnetostrictive position sensors. Using the known propagation velocity of these mechanical waves, the module calculates the position of the magnets on the magnetostrictive position sensors. The positions are determined asynchronously to the Axioline F local bus.

Your advantages

- 2 channels for magnetostrictive position sensors with start/stop interface
- 5 stop events per channel
- Automatic parameter upload
- 4 digital inputs
- Device rating plate stored
- Diagnostic and status indicators
- Can be used under extreme ambient conditions
- Extended temperature range of -40 °C ... +70 °C (see "Tested successfully: use under extreme ambient conditions" in the data sheet)
- Partially coated PCBs

Commercial data

Item number	2702655
Packing unit	1 pc
Minimum order quantity	1 pc
Sales key	DR02
Product key	DRI261
GTIN	4055626269511
Weight per piece (including packing)	189.2 g
Weight per piece (excluding packing)	134 g
Customs tariff number	85389091
Country of origin	DE

AXL F IMPULSE2 XC 1H - Function module

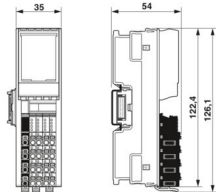


2702655

<https://www.phoenixcontact.com/us/products/2702655>

Technical data

Dimensions

Dimensional drawing	
Width	35 mm
Height	126.1 mm
Depth	54 mm
Note on dimensions	The depth applies when a TH 35-7.5 DIN rail is used (in accordance with EN 60715).

Notes

Note on application	
Note on application	Only for industrial use

Material specifications

Color (Housing)	gray (RAL 7042)
-----------------	-----------------

Interfaces

Axioline F local bus	
Number of interfaces	2
Connection method	Bus base module
Transmission speed	100 Mbps

System properties

Programming data (LocalbusSlave)	
Input address area	46 Byte
Output address area	46 Byte
Fieldbus data telegram (PROFIBUS)	
Required parameter data	1 Byte
Required configuration data	7 Byte

Input data

Digital:	
Input name	Digital inputs
Description of the input	EN 61131-2 types 1 and 3
Number of inputs	4

AXL F IMPULSE2 XC 1H - Function module



2702655

<https://www.phoenixcontact.com/us/products/2702655>

Connection method	Push-in connection
Connection technology	1-conductor
Input voltage range "0" signal	-3 V DC ... 5 V DC
Input voltage range "1" signal	11 V DC ... 30 V DC
Nominal input voltage U_{IN}	24 V DC
Nominal input current at U_{IN}	2.4 mA
Current flow	linear until nominal current is reached, then constantly approx. 2.4 mA
Input filter time	250 μ s
	1000 μ s
	3000 μ s
Protective circuit	Polarity reversal protection of the inputs; parallel diode (30 V, 5 s)

Product properties

Product type	I/O component
Product family	Axioline F
Type	block modular
Mounting position	any (no temperature derating)
Scope of supply	including bus base module and Axioline F connectors
Special properties	Start/stop interface with differential input and differential output: 2
	Extreme conditions version

Insulation characteristics

Overvoltage category	II (IEC 60664-1, EN 60664-1)
Pollution degree	2 (IEC 60664-1, EN 60664-1)

Electrical properties

Maximum power dissipation for nominal condition	1.7 W
---	-------

Encoder

Number	2
Nominal output voltage	24 V DC ($U_I - 0.5$ V)
Voltage range	19.2 V DC ... 30 V DC (including all tolerances, including ripple)
Current carrying capacity	typ. 500 mA
Protective circuit	Surge protection; electronic (35 V, 0.5 s)
	Short-circuit protection; electronic
	Transient protection; Shielding

Potentials: Axioline F local bus supply (U_{BUS})

Supply voltage	5 V DC (via bus base module)
Current draw	max. 150 mA

Potentials: Feed-in of supply voltage (U_I)

Supply voltage	24 V DC
Supply voltage range	19.2 V DC ... 30 V DC including all tolerances, including ripple
Current draw	max. 30 mA (Supply of pulse interface, without encoder supply)

AXL F IMPULSE2 XC 1H - Function module



2702655

<https://www.phoenixcontact.com/us/products/2702655>

Protective circuit	Surge protection; electronic (35 V, 0.5 s)
	Reverse polarity protection; Polarity protection diode
	Transient protection; Suppressor diode

Electrical isolation/isolation of the voltage ranges

Test voltage: Logic	500 V AC, 50 Hz, 1 min
Test voltage: Pulse I/O (24 V supply)	500 V AC, 50 Hz, 1 min
Test voltage: Functional ground	500 V AC, 50 Hz, 1 min

Connection data

Connection technology

Connection name	Axioline F connector
Note on the connection method	Please observe the information provided on conductor cross-sections in the "Axioline F: system and installation" user manual.

Axioline F connector

Connection method	Push-in connection
Note on the connection method	Please observe the information provided on conductor cross-sections in the "Axioline F: system and installation" user manual.
Conductor cross-section, rigid	0.2 mm ² ... 1.5 mm ²
Conductor cross-section, flexible	0.2 mm ² ... 1.5 mm ²
Conductor cross-section AWG	24 ... 16
Stripping length	8 mm

Environmental and real-life conditions

Ambient conditions

Ambient temperature (operation)	-25 °C ... 60 °C (Standard)
	-40 °C ... 70 °C (Extended, see section "Tested successfully: use under extreme ambient conditions" in the data sheet.)
Degree of protection	IP20 (per manufacturer's declaration)
Air pressure (operation)	70 kPa ... 106 kPa (up to 3000 m above sea level)
Air pressure (storage/transport)	70 kPa ... 106 kPa (up to 3000 m above sea level)
Ambient temperature (storage/transport)	-40 °C ... 85 °C
Permissible humidity (operation)	5 % ... 95 % (non-condensing)
Permissible humidity (storage/transport)	5 % ... 95 % (non-condensing)

Mechanical test

Vibration resistance in accordance with EN 60068-2-6/IEC 60068-2-6	5g
Shock in accordance with EN 60068-2-27/IEC 60068-2-27	30g
Continuous shock in accordance with EN 60068-2-27/IEC 60068-2-27	10g

Test (noxious gas)

Test standard	ISA-71.04-2013 G3 Harsh Group A
	IEC 60068-2-60:2015 Method 4

AXL F IMPULSE2 XC 1H - Function module



2702655

<https://www.phoenixcontact.com/us/products/2702655>

Temperature	25 °C ±1 K
Humidity (relative)	75 % ±3 %
Test duration	21 Days
Volume concentration H ₂ S (Hydrogen sulfide)	50 ppb
Volume concentration NO ₂ (Nitrogen dioxide)	1250 ppb
Volume concentration Cl ₂ (Chlorine)	10 ppb
Volume concentration SO ₂ (Sulfur dioxide)	300 ppb

Standards and regulations

Protection class	III (IEC 61140, EN 61140, VDE 0140-1)
------------------	---------------------------------------

Mounting

Mounting type	DIN rail mounting
Mounting position	any (no temperature derating)

AXL F IMPULSE2 XC 1H - Function module

2702655

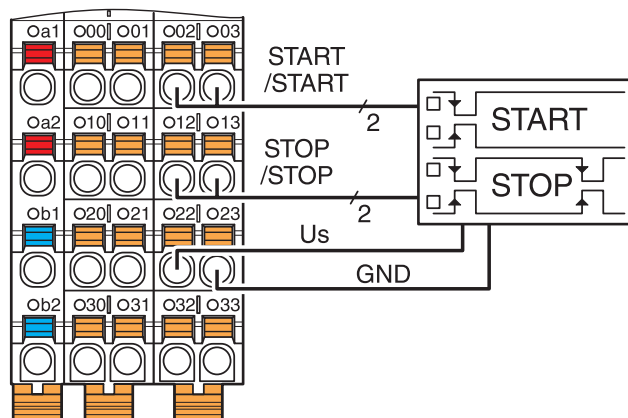
<https://www.phoenixcontact.com/us/products/2702655>

Drawings

Dimensional drawing



Connection diagram



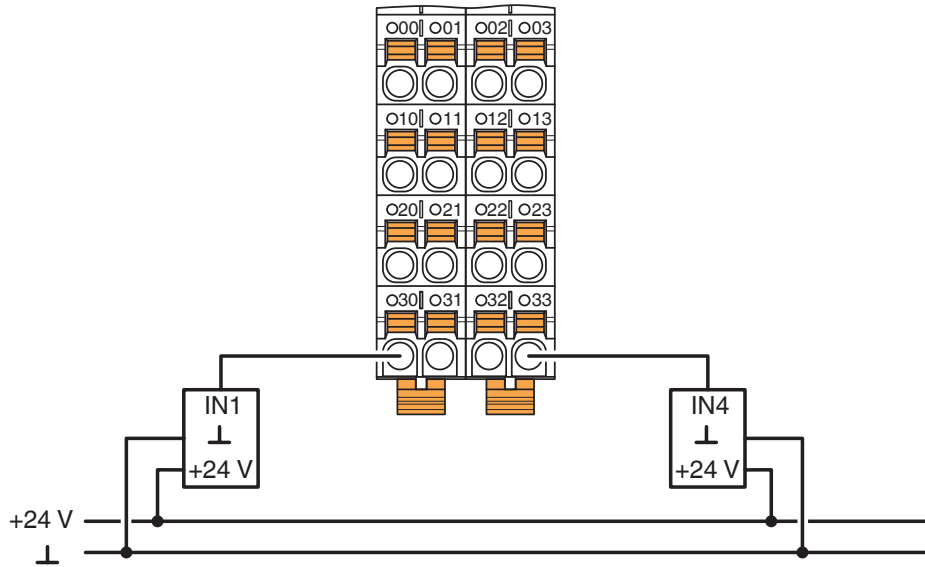
Example connection of a magnetostrictive position sensor

AXL F IMPULSE2 XC 1H - Function module

2702655

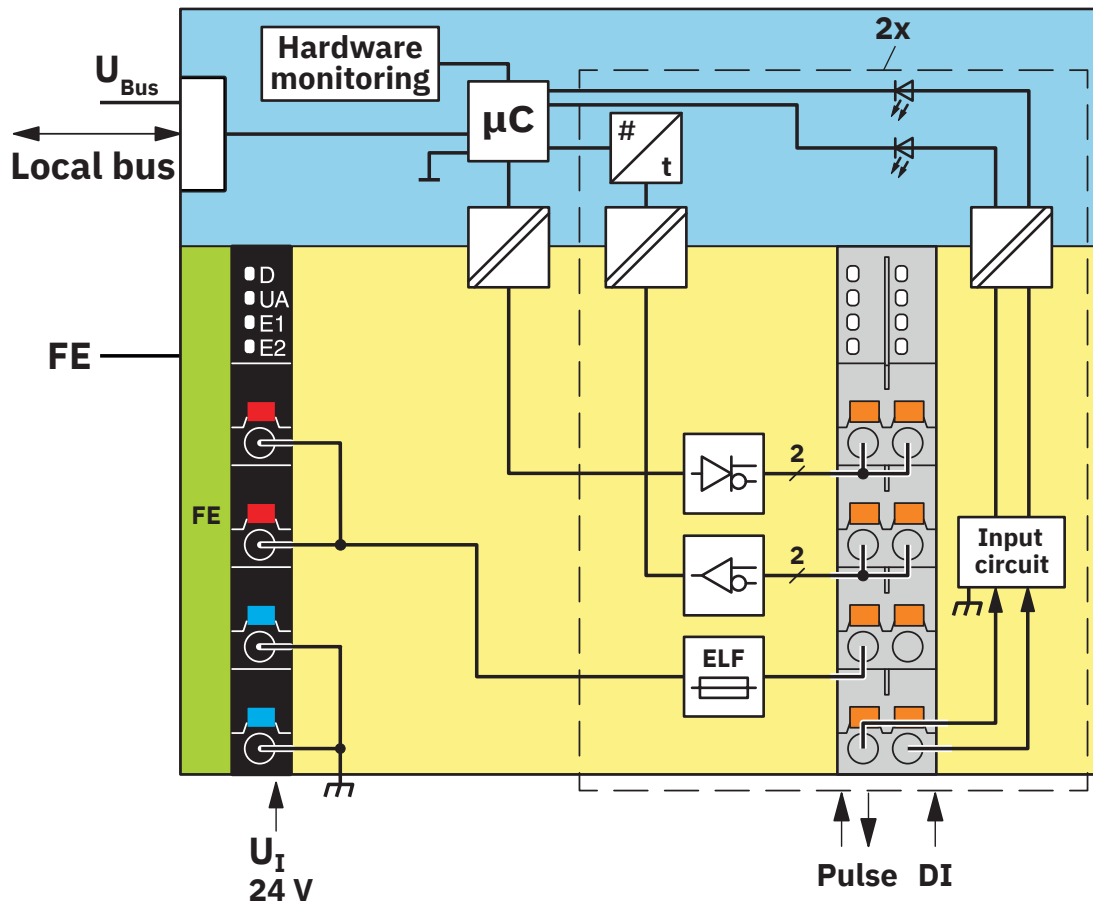
<https://www.phoenixcontact.com/us/products/2702655>

Connection diagram



Example of a connection of sensors when using external busbars

Block diagram



Internal wiring of the terminal points

AXL F IMPULSE2 XC 1H - Function module



2702655

<https://www.phoenixcontact.com/us/products/2702655>

Approvals

To download certificates, visit the product detail page: <https://www.phoenixcontact.com/us/products/2702655>



cULus Listed

Approval ID: E238705

AXL F IMPULSE2 XC 1H - Function module



2702655

<https://www.phoenixcontact.com/us/products/2702655>

Classifications

ECLASS

ECLASS-13.0	27242605
ECLASS-15.0	27242605

ETIM

ETIM 10.0	EC001601
-----------	----------

UNSPSC

UNSPSC 21.0	32151600
-------------	----------

AXL F IMPULSE2 XC 1H - Function module



2702655

<https://www.phoenixcontact.com/us/products/2702655>

Environmental product compliance

EU RoHS

Fulfills EU RoHS substance requirements	Yes
Exemption	7(a), 7(c)-I

China RoHS

Environment friendly use period (EFUP)	EFUP-50
	An article-related China RoHS declaration table can be found in the download area for the respective article under "Manufacturer declaration". For all articles with EFUP-E, no China RoHS declaration table issued and required.

EU REACH SVHC

REACH candidate substance (CAS No.)	Lead(CAS: 7439-92-1)
SCIP	eec7fce5-59c9-46cd-aeb1-ab617d30343d

Phoenix Contact 2026 © - all rights reserved

<https://www.phoenixcontact.com>

Phoenix Contact USA
586 Fulling Mill Road
Middletown, PA 17057, United States
(+717) 944-1300
info@phoenixcon.com