

# FL WLAN 2101 - Wireless module

2702540

<https://www.phoenixcontact.com/us/products/2702540>

Please be informed that the data shown in this PDF document is generated from our online catalog. Please find the complete data in the user documentation. Our general terms of use for downloads are valid.



The figure shows a version of the product

WLAN access point, client for USA and Canada, with 2 internal antennas for single-hole mounting, IP66/IP68, WLAN 802.11 a, b, g, n, frequency: 2.4 GHz, 5 GHz, connections: COMBICON 9 ... 32 V DC, RJ45: for LAN, web, http/https, CLI

## Commercial data

Item number	2702540
Packing unit	1 pc
Minimum order quantity	1 pc
Sales key	DN26
Product key	DNN2W4
GTIN	4055626279503
Weight per piece (including packing)	375 g
Weight per piece (excluding packing)	337 g
Customs tariff number	85176200
Country of origin	DE

## Technical data

### Notes

#### Note on application

Note on application	Only for industrial use
---------------------	-------------------------

### Product properties

Product type	Wireless module
Type	Stand-alone

#### Insulation characteristics

Overvoltage category	none
Pollution degree	2

#### Wireless card

Number	1
Type	IEEE 802.11 a/b/g/n 2.4 GHz and 5 GHz to 300 Mbps
Assembly note	Permanently installed

### Electrical properties

Maximum power dissipation for nominal condition	4.5 W
---	-------

#### Supply: Module electronics

Connection technology	COMBICON
Connection method	Push-in spring connection
Note on the connection method	Recommended conductor cross-section: 0.75 mm <sup>2</sup>
	Recommended ferrule: connection length 10 mm
	Recommended crimping pliers: trapezoidal or square
Designation	1966101 FMC 1,5/ 3-STF-3,5
Number of positions	3
Cross section range AWG	24 ... 16 (Use copper wires rated 75° C (UL))
Supply voltage	24 V DC (SELV)
Supply voltage range	18 V DC ... 32 V DC (PELV/SELV)
	9 V DC ... 32 V DC (PELV/SELV (HW version 06 or later))
Supply current	typ. 120 mA (at 24 V DC)
Current consumption	max. 250 mA (at 18 V DC)
	max. 400 mA (at 9 V DC)

### Connection data

#### 1966101 FMC 1,5/ 3-STF-3,5

Connection method	Push-in spring connection
pluggable	yes
Conductor cross-section, rigid	0.2 mm <sup>2</sup> ... 1.5 mm <sup>2</sup>
Conductor cross-section, flexible	0.2 mm <sup>2</sup> ... 1.5 mm <sup>2</sup>

# FL WLAN 2101 - Wireless module



2702540

<https://www.phoenixcontact.com/us/products/2702540>

Conductor cross-section AWG	24 ... 16
Stripping length	10 mm

## Interfaces

### Antenna

Number	2
Connection method	permanently installed
Note on the connection method	MIMO
Gain	5 dBi

### Functions

Operating modes	Access Point / Client Adapter / Repeater
Configuration	Web-based management, automated CLI
Quality of service (QoS)	Yes
Security	802.11i
	WPA PSK (preshared key)
	WPA2
	AES
	TKIP
	MAC filter
	Supports 802.1X/RADIUS
Wireless licenses	USA, Canada
Country support	USA
	Canada
	Argentina

### Ethernet (RJ45)

Number of interfaces	1
Connection method	RJ45
Note on the connection method	Auto negotiation and autocrossing
Transmission speed	10/100 Mbps
Transmission physics	Copper
Transmission length	100 m (per segment)
No. of channels	1 (RJ45 ports)

### Wireless

Designation	Wireless LAN
Antenna connection method	(Internal)
Frequency band	2.4 GHz
	5 GHz
Wireless standard	WLAN
	IEEE 802.11
	a
	b
	g

# FL WLAN 2101 - Wireless module



2702540

<https://www.phoenixcontact.com/us/products/2702540>

	n
	Wi-Fi 4
Transmission power	max. 20 dBm (EIRP)
Number of wireless interfaces	1 IEEE 802. 11 a/b/g/n
Wireless modules that can be connected	60 (In access point mode)

## Dimensions

Dimensional drawing	
Width	62.8 mm
Height	36.5 mm
Depth	113.2 mm
Note on dimensions	Outside dimensions

## Material specifications

Material base plate	Die-cast zinc, nickel-plated
Housing material	PC

## Environmental and real-life conditions

### Ambient conditions

Degree of protection	IP65 IP66 IP67 IP68
Ambient temperature (operation)	-40 °C ... 60 °C
Note	Degree of protection when installed
Air pressure (operation)	800 hPa ... 1080 hPa (up to 2000 m above sea level)
Air pressure (storage/transport)	660 hPa ... 1080 hPa (up to 3500 m above sea level)
Ambient temperature (storage/transport)	-40 °C ... 85 °C
Permissible humidity (operation)	5 % ... 95 % (non-condensing)
Permissible humidity (storage/transport)	5 % ... 95 % (non-condensing)

### Mechanical test

Shock in accordance with EN 60068-2-27/IEC 60068-2-27	30g, 11 ms half-sine shock pulse
Vibration resistance in accordance with EN 60068-2-6/IEC 60068-2-6	5g, 10 ... 150 Hz
Continuous shock in accordance with EN 60068-2-27/IEC 60068-2-27	10g, 16 ms, 6000 shocks
Broadband noise in accordance with EN 60068-2-64	Category 1, Class A

## EMC data

### Electrostatic discharge

Standards/regulations	EN 61000-4-2
-----------------------	--------------

### Electrostatic discharge

Contact discharge	± 4 kV
Discharge in air	± 8 kV
Indirect discharge	± 6 kV

### Electromagnetic HF field

Standards/regulations	EN 61000-4-3
-----------------------	--------------

### Electromagnetic HF field

Frequency range	80 MHz ... 1000 MHz
Test field strength	10 V/m
Frequency range	1000 MHz ... 6000 MHz
Test field strength	3 V/m

### Fast transients (burst)

Standards/regulations	EN 61000-4-4
-----------------------	--------------

### Fast transients (burst)

Comments	±2.2 kV
----------	---------

### Surge current load (surge)

Standards/regulations	EN 61000-4-5
-----------------------	--------------

### Surge current load (surge)

Signal	± 0.5 kV (symmetrical)
	± 1 kV (asymmetrical)

### Conducted interference

Standards/regulations	EN 61000-4-6
-----------------------	--------------

### Conducted interference

Frequency range	0.15 MHz ... 80 MHz
Voltage	10 V

### Emitted interference

Standards/regulations	FCC/CFR 47, Part 15.107
Test result	Class B

### Emitted interference

Standards/regulations	FCC/CFR 47, Part 15.109
Test result	Class A

### Emitted interference

Standards/regulations	ICES-003 Issue 6 section 6.1
-----------------------	------------------------------

# FL WLAN 2101 - Wireless module



2702540

<https://www.phoenixcontact.com/us/products/2702540>

Test result	Class B
-------------	---------

## Emitted interference

Standards/regulations	ICES-003 Issue 6 section 6.2
-----------------------	------------------------------

Test result	Class A
-------------	---------

## Mounting

Mounting type	Single-hole mounting
---------------	----------------------

Assembly note	Internal antenna
---------------	------------------

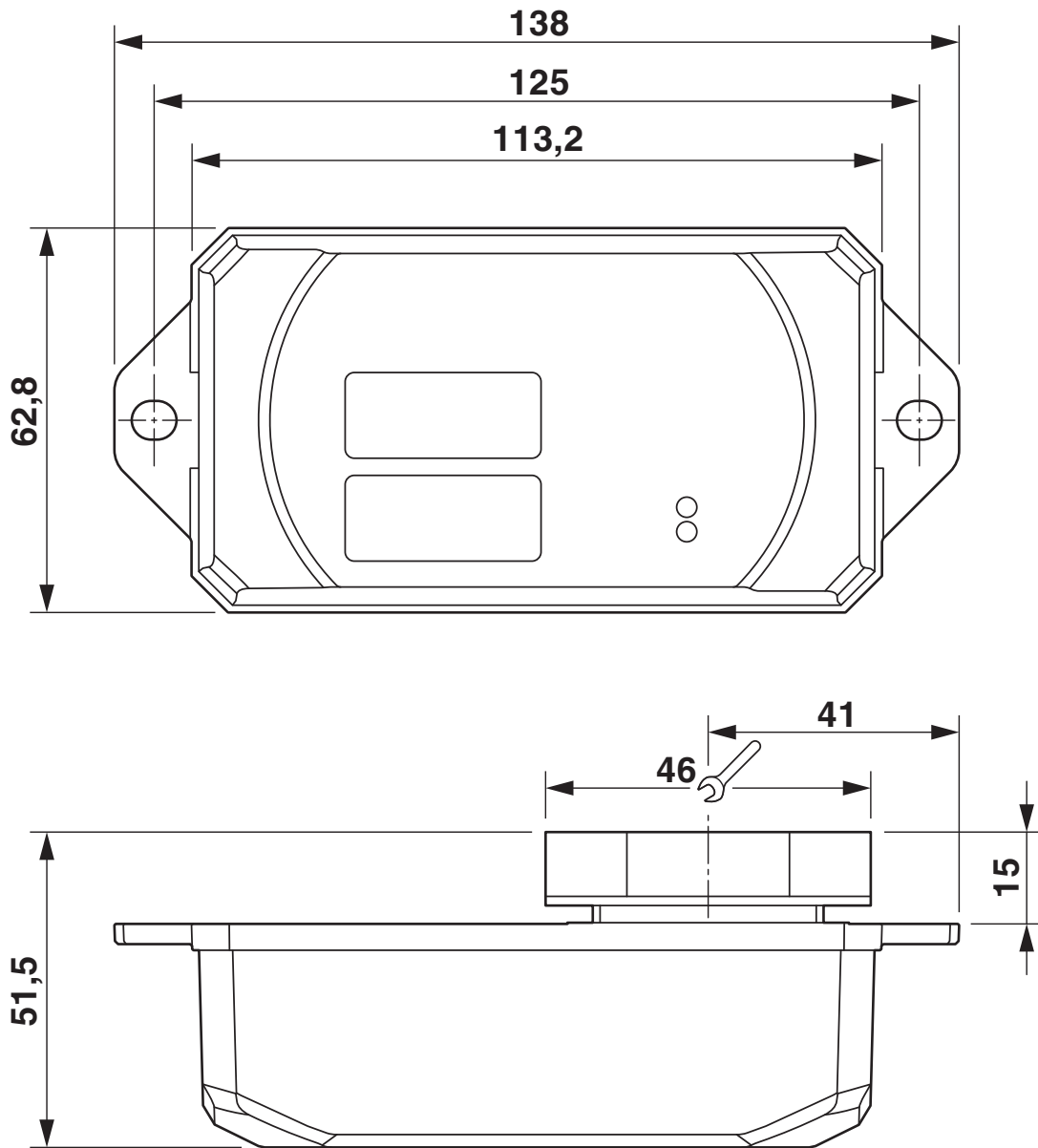
# FL WLAN 2101 - Wireless module

2702540

<https://www.phoenixcontact.com/us/products/2702540>

## Drawings

Dimensional drawing



# FL WLAN 2101 - Wireless module



2702540

<https://www.phoenixcontact.com/us/products/2702540>

## Approvals

To download certificates, visit the product detail page: <https://www.phoenixcontact.com/us/products/2702540>



**cULus Listed**

Approval ID: E238705

**FCC**

Approval ID: YG3-SXPCEAN2



**cULus Listed**

Approval ID: E196811

# FL WLAN 2101 - Wireless module



2702540

<https://www.phoenixcontact.com/us/products/2702540>

## Classifications

### ECLASS

ECLASS-13.0	19170501
ECLASS-15.0	19170501

### ETIM

ETIM 10.0	EC000816
-----------	----------

### UNSPSC

UNSPSC 21.0	43222600
-------------	----------

2702540

<https://www.phoenixcontact.com/us/products/2702540>

## Environmental product compliance

### EU RoHS

Fulfills EU RoHS substance requirements	Not applicable, Not qualified for the European market
---	---

### China RoHS

Environment friendly use period (EFUP)	EFUP-50
	An article-related China RoHS declaration table can be found in the download area for the respective article under "Manufacturer declaration". For all articles with EFUP-E, no China RoHS declaration table issued and required.

### EU REACH SVHC

REACH candidate substance (CAS No.)	Lead(CAS: 7439-92-1)
	2-(2H-benzotriazol-2-yl)-4-(1,1,3,3-tetramethylbutyl)phenol (UV-329)(CAS: 3147-75-9)
SCIP	da141222-2ba4-44eb-8d6f-9bf2fc136c5f

Phoenix Contact 2026 © - all rights reserved  
<https://www.phoenixcontact.com>

Phoenix Contact USA  
 586 Fulling Mill Road  
 Middletown, PA 17057, United States  
 (+717) 944-1300  
[info@phoenixcon.com](mailto:info@phoenixcon.com)