

FL WLAN 2100 - Wireless module

2702535

<https://www.phoenixcontact.com/us/products/2702535>

Please be informed that the data shown in this PDF document is generated from our online catalog. Please find the complete data in the user documentation. Our general terms of use for downloads are valid.



The figure shows a version of the product

WLAN access point, client with two internal antennas (MIMO) for single-hole mounting, IP66/IP68, WLAN 802.11 a, b, g, n, frequency: 2.4 GHz, 5 GHz (incl. DFS channels), connections: COMBICON 9 ... 32 V DC, RJ45: for LAN, web, http/https, CLI

Commercial data

Item number	2702535
Packing unit	1 pc
Minimum order quantity	1 pc
Sales key	DN26
Product key	DNN2W4
GTIN	4055626278926
Weight per piece (including packing)	375 g
Weight per piece (excluding packing)	337 g
Customs tariff number	85176200
Country of origin	DE

Technical data

Notes

Note on application

Note on application	Only for industrial use
---------------------	-------------------------

Product properties

Product type	Wireless module
Type	Stand-alone

Wireless card

Number	1
Type	IEEE 802.11 a/b/g/n 2.4 GHz and 5 GHz to 300 Mbps
Assembly note	Permanently installed

Electrical properties

Maximum power dissipation for nominal condition	4.5 W
---	-------

Supply: Module electronics

Connection technology	COMBICON
Connection method	Push-in spring connection
Note on the connection method	Recommended conductor cross-section: 0.75 mm ²
	Recommended ferrule: connection length 10 mm
	Recommended crimping pliers: trapezoidal or square
Designation	1966101 FMC 1,5/ 3-STF-3,5
Number of positions	3
Cross section range AWG	24 ... 16 (Use copper wires rated 75° C (UL))
Supply voltage	24 V DC (SELV)
Supply voltage range	18 V DC ... 32 V DC (PELV/SELV)
	9 V DC ... 32 V DC (PELV/SELV (HW version 06 or later))
Supply current	typ. 120 mA (at 24 V DC)
Current consumption	max. 250 mA (at 18 V DC)
	max. 400 mA (at 9 V DC)

Connection data

1966101 FMC 1,5/ 3-STF-3,5

Connection method	Push-in spring connection
pluggable	yes
Conductor cross-section, rigid	0.2 mm ² ... 1.5 mm ²
Conductor cross-section, flexible	0.2 mm ² ... 1.5 mm ²
Conductor cross-section AWG	24 ... 16
Stripping length	10 mm

Interfaces

FL WLAN 2100 - Wireless module



2702535

<https://www.phoenixcontact.com/us/products/2702535>

Antenna

Number	2
Connection method	permanently installed
Note on the connection method	MIMO
Gain	5 dBi

Functions

Operating modes	Access Point / Client Adapter / Repeater
Configuration	Web-based management, automated CLI
Quality of service (QoS)	Yes
Security	802.11i
	WPA PSK (preshared key)
	WPA2
	AES
	TKIP
	MAC filter
	Supports 802.1X/RADIUS
Wireless licenses	Europe, additional countries in the e-shop
Country support	Belgium
	Bulgaria
	Denmark
	Germany
	Estonia
	Finland
	France
	Greece
	Great Britain
	Ireland
	Italy
	Latvia
	Liechtenstein
	Lithuania
	Luxembourg
	Malta
	Netherlands
	Norway
	Austria
Poland	
Portugal	
Romania	
Sweden	
Switzerland	
Slovakia	
Slovenia	

FL WLAN 2100 - Wireless module



2702535

<https://www.phoenixcontact.com/us/products/2702535>

	Spain
	Czech Republic
	Hungary
	Cyprus (rep.)
	Japan
	South Korea
	Thailand
	Brazil
	Russia
	Taiwan
	Philippines

Ethernet (RJ45)

Number of interfaces	1
Connection method	RJ45
Note on the connection method	Auto negotiation and autocrossing
Transmission speed	10/100 Mbps
Transmission physics	Copper
Transmission length	100 m (per segment)
No. of channels	1 (RJ45 ports)

Wireless

Designation	Wireless LAN
Antenna connection method	(Internal)
Frequency band	2.4 GHz
	5 GHz
Wireless standard	WLAN
	IEEE 802.11
	a
	b
	g
	n
	Wi-Fi 4
Transmission power	max. 20 dBm (EIRP)
Number of wireless interfaces	1 IEEE 802. 11 a/b/g/n
Wireless modules that can be connected	60 (In access point mode)

Dimensions

FL WLAN 2100 - Wireless module



2702535

<https://www.phoenixcontact.com/us/products/2702535>

Dimensional drawing	
Width	62.8 mm
Height	36.5 mm
Depth	113.2 mm
Note on dimensions	Outside dimensions

Material specifications

Color	black
Material base plate	Die-cast zinc, nickel-plated
Housing material	PC

Environmental and real-life conditions

Ambient conditions

Degree of protection	IP65 IP66 IP67 IP68
Ambient temperature (operation)	-40 °C ... 60 °C
Note	Degree of protection when installed
Air pressure (operation)	800 hPa ... 1080 hPa (up to 2000 m above sea level)
Air pressure (storage/transport)	660 hPa ... 1080 hPa (up to 3500 m above sea level)
Ambient temperature (storage/transport)	-40 °C ... 85 °C
Permissible humidity (operation)	5 % ... 95 % (non-condensing)
Permissible humidity (storage/transport)	5 % ... 95 % (non-condensing)

Mechanical test

Shock in accordance with EN 60068-2-27/IEC 60068-2-27	30g, 11 ms half-sine shock pulse
Vibration resistance in accordance with EN 60068-2-6/IEC 60068-2-6	5g, 10 ... 150 Hz
Continuous shock in accordance with EN 60068-2-27/IEC 60068-2-27	10g, 16 ms, 6000 shocks
Broadband noise in accordance with EN 60068-2-64	Category 1, Class A

EMC data

Electrostatic discharge

Contact discharge	± 4 kV
Indirect discharge	± 6 kV

FL WLAN 2100 - Wireless module



2702535

<https://www.phoenixcontact.com/us/products/2702535>

Fast transients (burst)

Standards/regulations	EN 61000-4-4
-----------------------	--------------

Fast transients (burst)

Comments	±2.2 kV
----------	---------

Surge current load (surge)

Standards/regulations	EN 61000-4-5
-----------------------	--------------

Surge current load (surge)

Signal	± 0.5 kV (symmetrical)
	± 1 kV (asymmetrical)

Conducted interference

Standards/regulations	EN 61000-4-6
-----------------------	--------------

Conducted interference

Frequency range	0.15 MHz ... 80 MHz
Voltage	10 V

Emitted interference

Standards/regulations	EN 55022
Test result	Class B

Mounting

Mounting type	Single-hole mounting
Assembly note	Internal antenna

FL WLAN 2100 - Wireless module

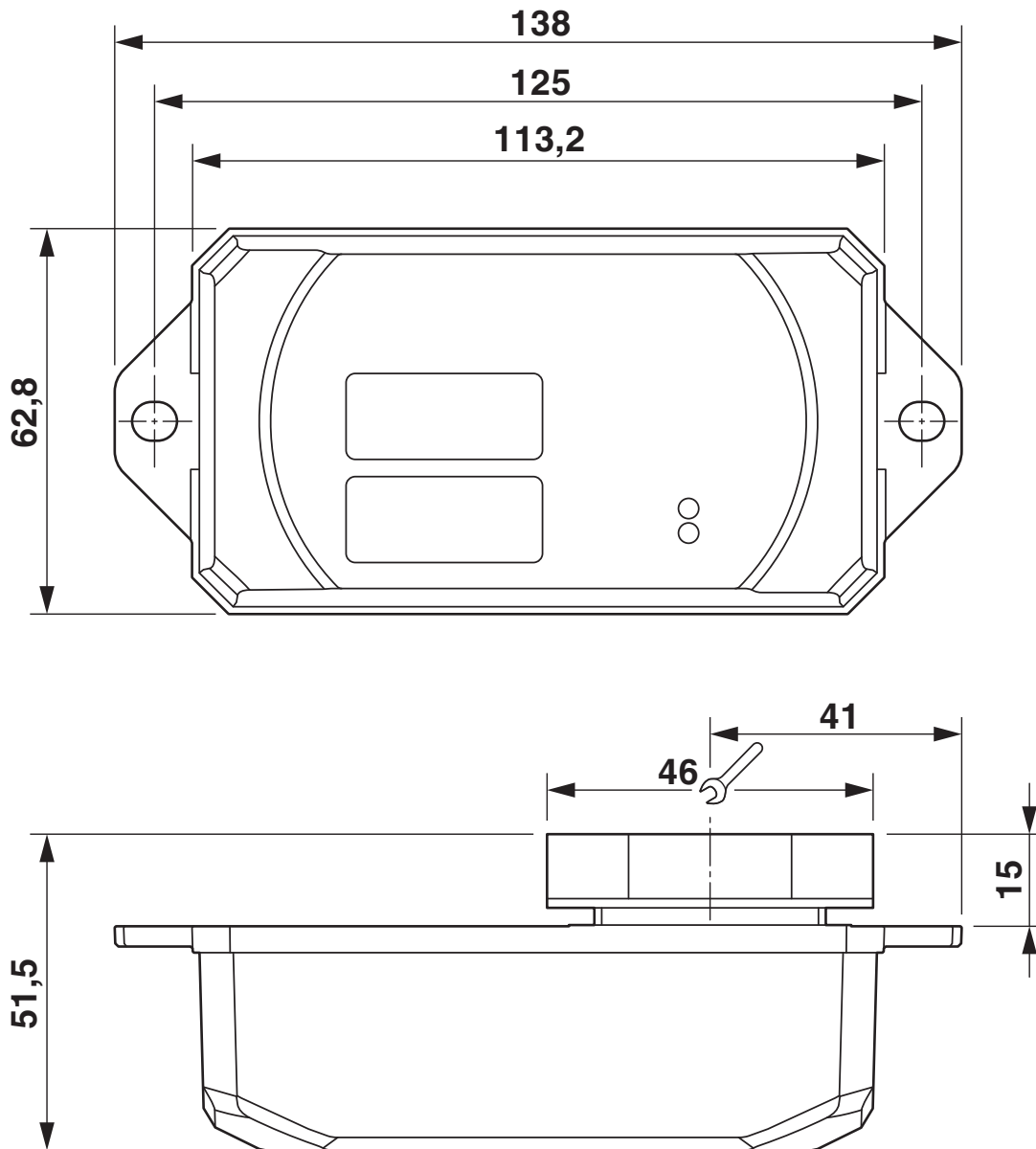


2702535

<https://www.phoenixcontact.com/us/products/2702535>

Drawings

Dimensional drawing



FL WLAN 2100 - Wireless module




2702535

<https://www.phoenixcontact.com/us/products/2702535>

Approvals

To download certificates, visit the product detail page: <https://www.phoenixcontact.com/us/products/2702535>

 **KC**
Approval ID: R-CRI-PCK-2702535

 **cULus Listed**
Approval ID: E238705

ANATEL
Approval ID: 08144-18-06497

 **MIC**
Approval ID: 007-AF0223

FL WLAN 2100 - Wireless module



2702535

<https://www.phoenixcontact.com/us/products/2702535>

Classifications

ECLASS

ECLASS-13.0	19170501
ECLASS-15.0	19170501

ETIM

ETIM 10.0	EC000816
-----------	----------

UNSPSC

UNSPSC 21.0	43222600
-------------	----------

2702535

<https://www.phoenixcontact.com/us/products/2702535>

Environmental product compliance

EU RoHS

Fulfills EU RoHS substance requirements	Yes
Exemption	7(a), 7(c)-I

China RoHS

Environment friendly use period (EFUP)	EFUP-50
	An article-related China RoHS declaration table can be found in the download area for the respective article under "Manufacturer declaration". For all articles with EFUP-E, no China RoHS declaration table issued and required.

EU REACH SVHC

REACH candidate substance (CAS No.)	Lead(CAS: 7439-92-1)
	2-(2H-benzotriazol-2-yl)-4-(1,1,3,3-tetramethylbutyl)phenol (UV-329)(CAS: 3147-75-9)
SCIP	7e03d282-220b-48de-8725-7d80de6f1c7c

EF3.1 Climate Change

CO2e kg	17.36 kg CO2e
---------	---------------

Phoenix Contact 2026 © - all rights reserved
<https://www.phoenixcontact.com>

Phoenix Contact USA
 586 Fulling Mill Road
 Middletown, PA 17057, United States
 (+717) 944-1300
info@phoenixcon.com