

PSR-PC51-1NO-1NC-24DC-SC - Coupling relay



2702522

<https://www.phoenixcontact.com/us/products/2702522>

Please be informed that the data shown in this PDF document is generated from our online catalog. Please find the complete data in the user documentation. Our general terms of use for downloads are valid.



Coupling relay for electrical isolation and power adaptation for SIL 3 F&G applications, low demand, load diagnostics in the Off and On state for wire break and short circuit, 1 enabling current path, test pulse filter, plug-in screw terminal block, width: 17.5 mm

Your advantages

- Earth leakage monitoring
- Suitable for low-demand applications up to SIL 3 in accordance with IEC 61508, IEC 61511, and EN 50156
- Configurable Off and On state diagnostics
- Active error acknowledgment via A1 at DO
- Integrated DCS test pulse filter
- 1 enabling current path, 1 signaling current path

Commercial data

Item number	2702522
Packing unit	1 pc
Minimum order quantity	1 pc
Sales key	DN01
Product key	DNA182
GTIN	4055626283388
Weight per piece (including packing)	249.42 g
Weight per piece (excluding packing)	151.47 g
Customs tariff number	85364190
Country of origin	DE

PSR-PC51-1NO-1NC-24DC-SC - Coupling relay



2702522

<https://www.phoenixcontact.com/us/products/2702522>

Technical data

Notes

Note on application

Note on application	Only for industrial use
---------------------	-------------------------

Product properties

Product type	Coupling relay
Product family	PSRmini
Application	Safe switch on Low demand Ex
Control	1 and 2 channel
Relay type	Electromechanical relay

Insulation characteristics

Overvoltage category	III
Degree of pollution	2

Times

Typ. starting time with U_S	typ. 100 ms (when controlled via A1-A2)
Typical release time	typ. 30 ms (when controlled via A1-A2)
Recovery time	1 s (when controlled via A1-A2) 3 s (Availability time for diagnostics after U_D is applied)

Electrical properties

Maximum power dissipation for nominal condition	3.8 W (at $U_B = 26.4$ V DC, $U_{BD} = 26.4$ V DC, $I_L = 3$ A)
Nominal operating mode	100% operating factor
Rated insulation voltage	250 V AC
Rated surge voltage/insulation	Basic insulation 4 kV between all current paths and housing Safe isolation, 6 kV reinforced insulation from (A1/A2, 24V/0V, 21/22, and TP1/TP2/TP3) to the enabling current path (L, L', LO, LO', NI, NI', N,N')

Supply

Designation	A1/A2
Rated control circuit supply voltage U_S	24 V DC -15 % / +10 %
Rated control supply current I_S	typ. 75 mA
Power consumption at U_S	typ. 2 W (at U_S/U_D ; On state)
Inrush current	max. 100 mA
Filter time	2 ms (at A1-A2 in the event of voltage dips at U_S) max. 2 ms (at A1-A2; low test pulse width) ≥ 100 ms (at A1-A2; low test pulse rate) max. 17 ms (at A1-A2; high test pulse width) ≥ 800 ms (at A1-A2; high test pulse rate)

PSR-PC51-1NO-1NC-24DC-SC - Coupling relay



2702522

<https://www.phoenixcontact.com/us/products/2702522>

Protective circuit	Surge protection; 36 V suppressor diode
	Reverse polarity protection
Supply	
Designation	24V/0V
Diagnostic supply voltage U_D	24 V DC -20 % / +25 %
Input current at U_D	35 mA (at $U_D = 24$ V)
	45 mA (at $U_D = 19$ V)
	25 mA (at $U_D = 30$ V)
Inrush current at U_D	1.5 A ($\Delta t < 10$ μ s)
Power consumption at U_D	typ. 0.9 W (at U_D ; Off state)
Protective circuit	Surge protection; 33 V suppressor diode
	Reverse polarity protection

Input data

Digital: Test points for proof test (T1, T2, T3)

Number of inputs	3
Inrush current	typ. 200 mA
Protective circuit	Surge protection; 36 V suppressor diode
Current consumption	typ. 20 mA (Input TP1)
	typ. 20 mA (Input TP2)
	typ. 30 mA (Input TP3)

Output data

Relay: Enabling current path (L-LO-NI-N / L'-LO'-NI'-N')

Output description	safety-related N/O contacts
Number of outputs	1 (undelayed)
Contact switching type	1 enabling current path
Contact material	AgNi, gold-flashed, Ag alloy
Switching voltage	min. 16 V AC/DC
	max. 250 V AC
	max. 125 V DC
Switching power	min. 1 W
Inrush current	min. 50 mA
	max. 5 A ($\Delta t \leq \text{⌒}$ s)
Limiting continuous current	3 A (Observe derating, load type, and on-load voltage)
Sq. Total current	9 A ² (observe derating)
Switching frequency	max. 0.5 Hz
Mechanical service life	approx. 5x 10 ⁷ cycles

Relay: Signaling current path (21/22)

Output description	non-safety-related N/C contact
Number of outputs	1 (without delay, floating)
Contact switching type	1 signaling current path

PSR-PC51-1NO-1NC-24DC-SC - Coupling relay



2702522

<https://www.phoenixcontact.com/us/products/2702522>

Switching current	max. 100 mA
Inrush current	≤ 800 mA ($\Delta t \leq \text{[Symbol]} \text{ ms}$)
Short-circuit protection	no

Connection data

Connection technology

pluggable	yes
-----------	-----

Conductor connection

Connection method	Screw connection
Conductor cross-section rigid	0.2 mm ² ... 2.5 mm ²
Conductor cross-section flexible	0.2 mm ² ... 2.5 mm ²
Conductor cross-section AWG	24 ... 12
Stripping length	7 mm
Screw thread	M3

Signaling

Status display	1 x LED (green)
Operating voltage display	1 x LED (yellow)
Error indication	1 x LED (red)

Dimensions

Width	17.5 mm
Height	112.2 mm
Depth	114.5 mm

Material specifications

Color (Housing)	yellow (RAL 1018)
Housing material	Frianyl A63 RV0

Characteristics

Safety data: EN 50156-2

Safety Integrity Level (SIL)	3 (Reference IEC 61508)
------------------------------	-------------------------

Safety data: IEC 61508 - Low demand

Safety Integrity Level (SIL)	3
------------------------------	---

Environmental and real-life conditions

Ambient conditions

Degree of protection	IP20
Min. degree of protection of inst. location	IP54
Ambient temperature (operation)	-25 °C ... 60 °C (observe derating)
Ambient temperature (storage/transport)	-40 °C ... 65 °C
Maximum altitude	≤ 2000 m (Above sea level)

PSR-PC51-1NO-1NC-24DC-SC - Coupling relay



2702522

<https://www.phoenixcontact.com/us/products/2702522>

Max. permissible humidity (storage/transport)	75 % (on average, 85% infrequently, non-condensing)
Max. permissible relative humidity (operation)	75 % (on average, 85% infrequently, non-condensing)
Shock	15g, 11 ms
Vibration (operation)	10 Hz ... 150 Hz, 2g
Air pressure (operation)	79 kPa ... 106 kPa
Air pressure (storage/transport)	79 kPa ... 106 kPa

Approvals

ATEX

Identification	Ⓜ II 3G Ex ec nC IIC T4 Gc
Certificate	DEMKO 19 ATEX 2240X

IECEX

Identification	Ex ec nC IIC T4 Gc
Certificate	IECEX ULD 19.0023X

UL, USA/Canada

Identification	cULus
Certificate	E140324

UL Ex, USA / Canada

Identification	Class I, Zone 2, AEx ec nC IIC T4 / Ex ec nC IIC Gc T4 X Class I, Div. 2, Groups A, B, C, D, T4
Certificate	E360692

CE

Identification	CE-compliant
----------------	--------------

Environmental simulation test

Identification	G3
Certificate	ISA-S71.04

CCC / China-Ex

Identification	Ex ec nC IIC T4 Gc
Certificate	2022122304115696

Mounting

Mounting type	DIN rail mounting
Assembly note	See derating curve
Mounting position	vertical or horizontal

PSR-PC51-1NO-1NC-24DC-SC - Coupling relay

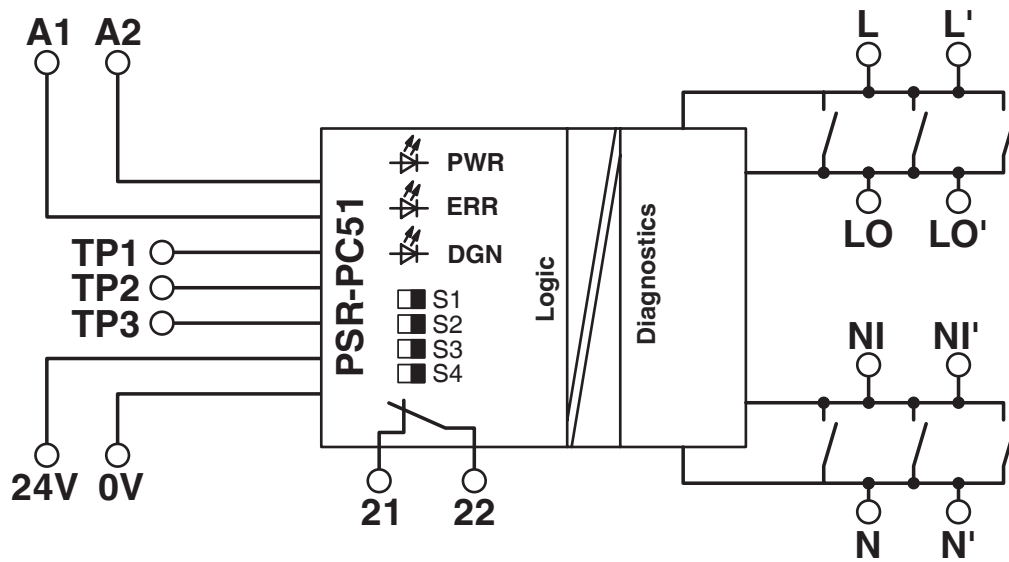


2702522

<https://www.phoenixcontact.com/us/products/2702522>

Drawings

Block diagram



Block diagram

2702522

<https://www.phoenixcontact.com/us/products/2702522>

Approvals

To download certificates, visit the product detail page: <https://www.phoenixcontact.com/us/products/2702522>



cULus Listed

Approval ID: E140324



Functional Safety

Approval ID: 968/FSP 1486.02/22



IECEX

Approval ID: IECEX ULD 19.0023X



ATEX

Approval ID: DEMKO 19 ATEX 2240X



cULus Listed

Approval ID: E360692



CCC

Approval ID: 2022122304115696

PSR-PC51-1NO-1NC-24DC-SC - Coupling relay



2702522

<https://www.phoenixcontact.com/us/products/2702522>

Classifications

ECLASS

ECLASS-13.0	27371819
ECLASS-15.0	27371819

ETIM

ETIM 10.0	EC001449
-----------	----------

UNSPSC

UNSPSC 21.0	39122200
-------------	----------

2702522

<https://www.phoenixcontact.com/us/products/2702522>

Environmental product compliance

EU RoHS

Fulfills EU RoHS substance requirements	Yes
Exemption	7(a), 7(c)-I

China RoHS

Environment friendly use period (EFUP)	EFUP-50
	An article-related China RoHS declaration table can be found in the download area for the respective article under "Manufacturer declaration". For all articles with EFUP-E, no China RoHS declaration table issued and required.

EU REACH SVHC

REACH candidate substance (CAS No.)	Lead(CAS: 7439-92-1)
SCIP	0f25f791-08b6-4b35-bc89-ae370be81b5b

Phoenix Contact 2026 © - all rights reserved

<https://www.phoenixcontact.com>

Phoenix Contact USA
586 Fulling Mill Road
Middletown, PA 17057, United States
(+717) 944-1300
info@phoenixcon.com