

# IB IL AO 4/U/0-10-ECO - Analog module



2702498

<https://www.phoenixcontact.com/us/products/2702498>

Please be informed that the data shown in this PDF document is generated from our online catalog. Please find the complete data in the user documentation. Our general terms of use for downloads are valid.



Inline, Analog output terminal, Analog outputs: 4, 0 V ... 10 V, connection technology: 2-conductor, transmission speed in the local bus: 500 kbps, degree of protection: IP20, including Inline connector

## Product description

The terminal is designed for use within an Inline station. It is used to output analog voltage signals. The output values are depicted in standardized representation format. Inline ECO terminals are approved for the temperature range from 0°C to +55°C. The electronics base and Inline connector are supplied as standard.

## Your advantages

- 4 analog output channels
- Connection of actuators in 2-conductor technology
- Voltage range: 0 V ... 10 V
- Data format: standardized representation
- Resolution: 12 bits
- Diagnostic indicator

## Commercial data

Item number	2702498
Packing unit	1 pc
Minimum order quantity	1 pc
Sales key	DR01
Product key	DRI142
GTIN	4055626204475
Weight per piece (including packing)	74.2 g
Weight per piece (excluding packing)	74.2 g
Customs tariff number	85389099
Country of origin	DE

# IB IL AO 4/U/0-10-ECO - Analog module



2702498

<https://www.phoenixcontact.com/us/products/2702498>

## Technical data

### Dimensions

Dimensional drawing	
Width	12.2 mm
Height	119.8 mm
Depth	71.5 mm

### Notes

Note on application

Note on application	Only for industrial use
---------------------	-------------------------

### Material specifications

Color (Housing)	green (RAL 6021)
-----------------	------------------

### Interfaces

Inline local bus

Number of interfaces	2
Connection method	Inline data jumper
Transmission speed	500 kbps

### System properties

Programming data (LocalbusSlave)

Length code (hex)	04
ID code (dec.)	125
Length code (dec)	04
Process data channel	64 bit
Input address area	0 Byte
Output address area	8 Byte
Parameter channel (PCP)	0 Byte
Register length (bus)	64 bit

Fieldbus data telegram (PROFIBUS)

Required parameter data	1 Byte
Required configuration data	4 Byte

### Output data

# IB IL AO 4/U/0-10-ECO - Analog module



2702498

<https://www.phoenixcontact.com/us/products/2702498>

## Analog:

Output name	Analog outputs
Connection technology	2-conductor
Note regarding the connection technology	shielded, twisted pair
Number of outputs	4
D/A converter resolution	12 bit
Protective circuit	Short-circuit and overload protection; Electronic Transient protection; Suppressor diode
Data formats	Standardized representation
Representation of output values	16 bits
Process data update	< 10 ms
Voltage output signal	0 V ... 10 V
Load/output load voltage output	> 2 kΩ

## Product properties

Product type	I/O component
Product family	Inline
Type	modular
Installation location	Control cabinet
Scope of supply	including Inline connector
Diagnostics messages	Failure of the internal I/O supply I/O error message sent to the bus coupler Checksum error I/O error message sent to the bus coupler

## Insulation characteristics

Overvoltage category	II (IEC 60664-1, EN 60664-1)
Pollution degree	2 (IEC 60664-1, EN 60664-1)

## Electrical properties

Maximum power dissipation for nominal condition	1.6 W
---	-------

### Potentials: Communications power ( $U_L$ )

Supply voltage	7.5 V DC (via voltage jumper)
Current draw	max. 70 mA typ. 60 mA

### Potentials: Supply of analog modules ( $U_{ANA}$ )

Supply voltage	24 V DC (via voltage jumper)
Supply voltage range	19.2 V DC ... 30 V DC (including all tolerances, including ripple)
Current draw	max. 45 mA typ. 35 mA

## Electrical isolation/isolation of the voltage ranges

Test voltage: Bus logic (local bus, communications power)	500 V AC, 50 Hz, 1 min
Test voltage: Analog I/O	500 V AC, 50 Hz, 1 min
Test voltage: Functional ground	500 V AC, 50 Hz, 1 min

# IB IL AO 4/U/0-10-ECO - Analog module



2702498

<https://www.phoenixcontact.com/us/products/2702498>

## Connection data

### Connection technology

Connection name	Inline connector
-----------------	------------------

### Inline connector

Connection method	Spring-cage connection
Conductor cross-section, rigid	0.08 mm <sup>2</sup> ... 1.5 mm <sup>2</sup>
Conductor cross-section, flexible	0.08 mm <sup>2</sup> ... 1.5 mm <sup>2</sup>
Conductor cross-section AWG	28 ... 16
Stripping length	8 mm

## Environmental and real-life conditions

### Ambient conditions

Ambient temperature (operation)	0 °C ... 55 °C (see "Derating" table in the data sheet)
Degree of protection	IP20
Air pressure (operation)	70 kPa ... 106 kPa (up to 3000 m above sea level)
Air pressure (storage/transport)	70 kPa ... 106 kPa (up to 3000 m above sea level)
Ambient temperature (storage/transport)	-25 °C ... 85 °C
Permissible humidity (operation)	10 % ... 95 % (non-condensing)
Permissible humidity (storage/transport)	10 % ... 95 % (non-condensing)

### Mechanical test

Vibration resistance in accordance with EN 60068-2-6/IEC 60068-2-6	5g
Shock in accordance with EN 60068-2-27/IEC 60068-2-27	25g

## Standards and regulations

Protection class	III (IEC 61140, EN 61140, VDE 0140-1)
------------------	---------------------------------------

## Mounting

Mounting type	DIN rail mounting
---------------	-------------------

# IB IL AO 4/U/0-10-ECO - Analog module



2702498

<https://www.phoenixcontact.com/us/products/2702498>

## Drawings

Dimensional drawing



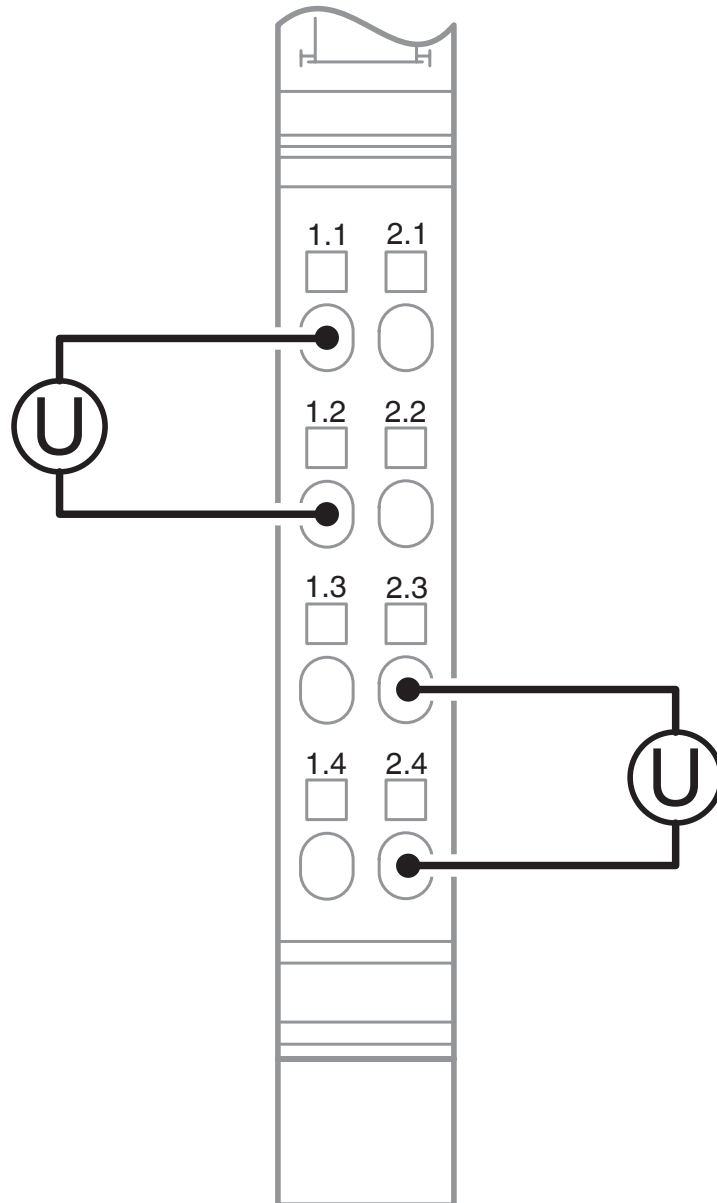
# IB IL AO 4/U/0-10-ECO - Analog module

2702498

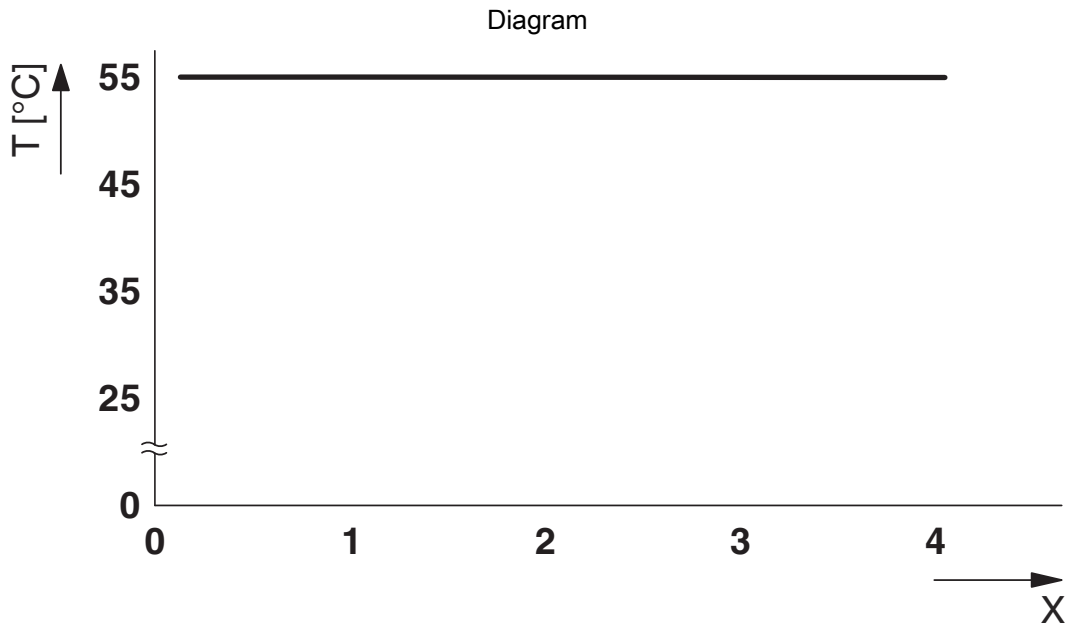
<https://www.phoenixcontact.com/us/products/2702498>



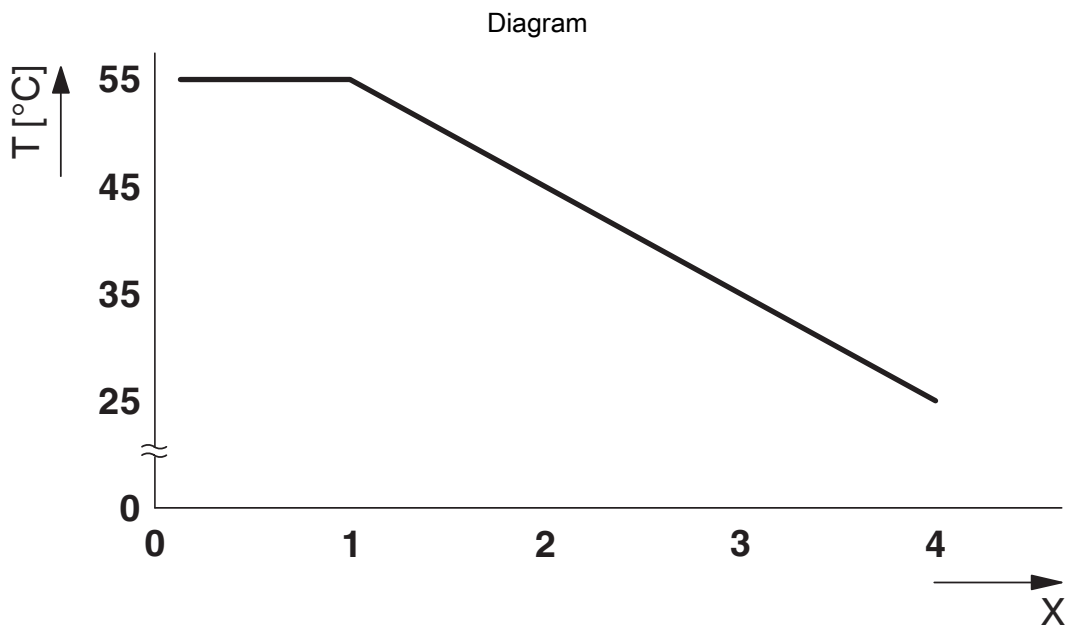
Connection diagram



Actuator connection



Derating with active convection



Derating without active convection

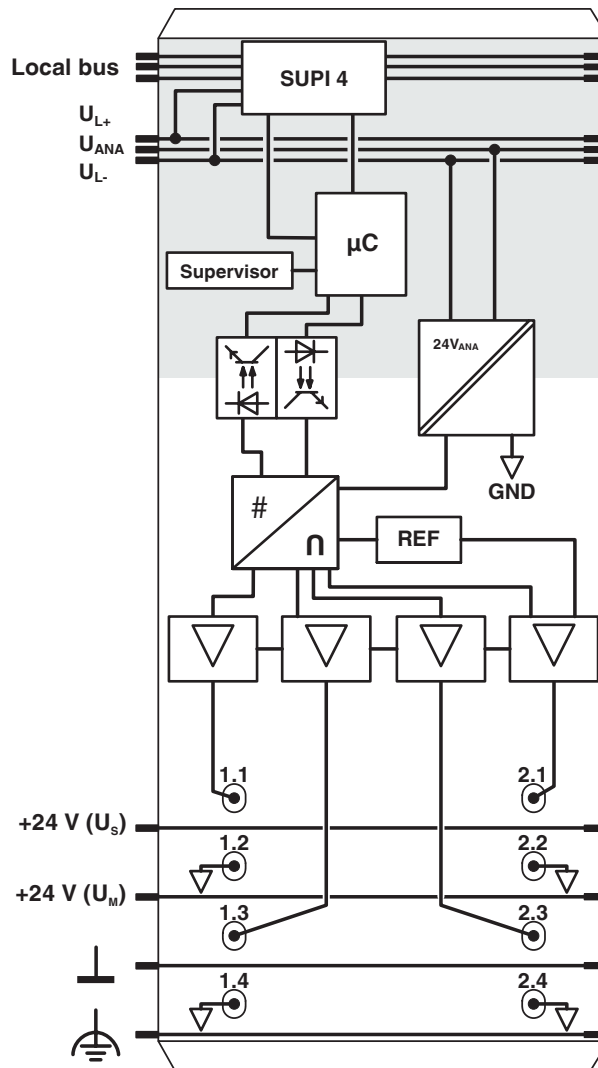
# IB IL AO 4/U/0-10-ECO - Analog module

2702498

<https://www.phoenixcontact.com/us/products/2702498>



Block diagram



Internal wiring of the terminal points

# IB IL AO 4/U/0-10-ECO - Analog module



2702498

<https://www.phoenixcontact.com/us/products/2702498>

## Approvals

To download certificates, visit the product detail page: <https://www.phoenixcontact.com/us/products/2702498>



**cULus Listed**

Approval ID: E238705



**cULus Listed**

Approval ID: E238705

# IB IL AO 4/U/0-10-ECO - Analog module



2702498

<https://www.phoenixcontact.com/us/products/2702498>

## Classifications

### ECLASS

ECLASS-13.0	27242601
ECLASS-15.0	27242601

### ETIM

ETIM 10.0	EC001596
-----------	----------

### UNSPSC

UNSPSC 21.0	32151600
-------------	----------

2702498

<https://www.phoenixcontact.com/us/products/2702498>

## Environmental product compliance

### EU RoHS

Fulfills EU RoHS substance requirements	Yes
Exemption	7(a), 7(c)-I, 7(c)-II

### China RoHS

Environment friendly use period (EFUP)	EFUP-50
	An article-related China RoHS declaration table can be found in the download area for the respective article under "Manufacturer declaration". For all articles with EFUP-E, no China RoHS declaration table issued and required.

### EU REACH SVHC

REACH candidate substance (CAS No.)	Lead(CAS: 7439-92-1)
SCIP	e4266376-fae2-4063-842d-aaa07682610f

### EF3.1 Climate Change

CO2e kg	3.795 kg CO2e
---------	---------------

Phoenix Contact 2026 © - all rights reserved  
<https://www.phoenixcontact.com>

Phoenix Contact USA  
586 Fulling Mill Road  
Middletown, PA 17057, United States  
(+717) 944-1300  
[info@phoenixcon.com](mailto:info@phoenixcon.com)