

# PSR-MC82-5NO-1NC-1DO-24DC-SC - Extension module



2702382

<https://www.phoenixcontact.com/us/products/2702382>

Please be informed that the data shown in this PDF document is generated from our online catalog. Please find the complete data in the user documentation. Our general terms of use for downloads are valid.



Contact extension up to SIL 3, Cat. 4, PL e in conjunction with suitable evaluation device, 5 enabling current paths,  $U_S = 24 \text{ V DC}$ , plug-in screw terminal block

## Your advantages

- Up to Cat. 4/PL e in accordance with ISO 13849-1, SIL 3 in accordance with EN IEC 62061 in conjunction with suitable evaluation device
- Low housing width of just 17.5 mm
- 1- and 2-channel control
- 5 enabling current paths, 1 confirmation current path, 1 digital signal output
- Automatic activation

## Commercial data

Item number	2702382
Packing unit	1 pc
Minimum order quantity	1 pc
Sales key	DN01
Product key	DNA181
GTIN	4055626145471
Weight per piece (including packing)	214.09 g
Weight per piece (excluding packing)	185.62 g
Customs tariff number	85371098
Country of origin	DE

# PSR-MC82-5NO-1NC-1DO-24DC-SC - Extension module



2702382

<https://www.phoenixcontact.com/us/products/2702382>

## Technical data

### Notes

#### Note on application

Note on application	Only for industrial use
---------------------	-------------------------

### Product properties

Product type	Safety relays
Product family	PSRmini
Application	Extension module
Control	1 and 2 channel
Relay type	Electromechanical relay with force-guided contacts in accordance with IEC/EN 61810-3

#### Insulation characteristics

Overvoltage category	III
Degree of pollution	2

#### Times

Typical response time	< 50 ms (Monitored/manual and auto-start)
Typ. starting time with $U_S$	< 50 ms (when controlled via A1/A2)
Typical release time	< 25 ms (when controlled via A1/A2)
Recovery time	< 100 ms

### Electrical properties

Maximum power dissipation for nominal condition	15.2 W (at $U_S = 30$ V, $I_L^2 = 64$ A <sup>2</sup> )
Nominal operating mode	100% operating factor
Rated insulation voltage	250 V AC
Rated surge voltage/insulation	

#### Supply

Designation	A1/A2
Rated control circuit supply voltage $U_S$	19.2 V DC ... 30 V DC
Rated control circuit supply voltage $U_S$	24 V DC -20 % / +25 %
Rated control supply current $I_S$	typ. 80 mA
Power consumption at $U_S$	typ. 1.92 W
Inrush current	typ. 125 mA ( $\Delta t = 7$ ms at $U_S$ )
Filter time	4 ms (at A1 in the event of voltage dips at $U_S$ ) max. 1 ms (at A1/A2, test pulse width, blanking pulses/dark test) 5 ms (at A1/A2, test pulse rate, blanking pulses/dark test) Where test pulse width < 1 ms: test pulse rate = 5 x test pulse width max. 1 ms (at A1/A2, test pulse width, switch-on pulses/light test) 10 ms (at A1/A2; test pulse rate; switch-on pulses/light test)
Protective circuit	Surge protection; Suppressor diode

# PSR-MC82-5NO-1NC-1DO-24DC-SC - Extension module



2702382

<https://www.phoenixcontact.com/us/products/2702382>

	Reverse polarity protection; Universal diode
--	--

## Output data

Relay: Enabling current paths (23/24 ... 63/64)

Output description	safety-related N/O contacts
Number of outputs	5 (undelayed)
Contact switching type	5 enabling current paths
Contact material	AgSnO <sub>2</sub>
Switching voltage	min. 5 V AC/DC max. 24 V DC (Enabling current path 23/24) max. 250 V AC/DC (all other enabling current paths, observe load curve)
Switching power	min. 50 mW (5 V / 10 mA)
Inrush current	min. 10 mA max. 20 A (≤ 100 ms)
Switching capacity	3 A (24 V (DC13)) 3 A (250 V (AC15))
Limiting continuous current	6 A (observe derating)
Sq. Total current	64 A <sup>2</sup> (observe derating)
Switching frequency	max. 0.5 Hz
Mechanical service life	10x 10 <sup>6</sup> cycles
Output fuse	10 A gL/gG 6 A gL/gG (for low-demand applications)

Relay: Confirmation current path (11/12)

Output description	Safety-related N/C contacts
Number of outputs	1 (undelayed)
Contact switching type	1 confirmation current path
Contact material	AgSnO
Switching voltage	min. 5 V AC/DC max. 24 V DC
Switching power	min. 50 mW
Inrush current	min. 10 mA max. 100 mA
Limiting continuous current	100 mA
Switching frequency	max. 0.5 Hz
Mechanical service life	10x 10 <sup>6</sup> cycles

Signal: M1

Output description	non-safety-related
Number of outputs	1 (digital, PNP)
Voltage	typ. 23 V DC (U <sub>S</sub> - 1 V)
Current	max. 100 mA
Maximum inrush current	500 mA (Δt = 1 ms at U <sub>S</sub> )
Short-circuit protection	Yes

# PSR-MC82-5NO-1NC-1DO-24DC-SC - Extension module



2702382

<https://www.phoenixcontact.com/us/products/2702382>

## Connection data

### Connection technology

pluggable	yes
-----------	-----

### Conductor connection

Connection method	Screw connection
Conductor cross-section rigid	0.2 mm <sup>2</sup> ... 2.5 mm <sup>2</sup>
Conductor cross-section flexible	0.2 mm <sup>2</sup> ... 2.5 mm <sup>2</sup>
Conductor cross-section AWG	24 ... 12
Stripping length	7 mm
Screw thread	M3

## Signaling

Status display	2 x LED (green)
----------------	-----------------

## Dimensions

Width	17.5 mm
Height	112.2 mm
Depth	114.5 mm

## Material specifications

Color (Housing)	yellow (RAL 1018)
Housing material	PA

## Characteristics

### Safety data

Stop category (EN 60204-1)	0
----------------------------	---

### Safety data: EN ISO 13849

Performance level (PL)	e (In conjunction with suitable evaluating device)
------------------------	--

### Safety data: IEC 61508 - High demand

Safety Integrity Level (SIL)	3 (In conjunction with suitable evaluating device)
------------------------------	--

### Safety data: IEC 61508 - Low demand

Safety Integrity Level (SIL)	3 (In conjunction with suitable evaluating device)
------------------------------	--

### Safety data: EN IEC 62061

Safety Integrity Level (SIL)	3 (In conjunction with suitable evaluating device)
------------------------------	--

## Environmental and real-life conditions

### Ambient conditions

Degree of protection	IP20
Min. degree of protection of inst. location	IP54
Ambient temperature (operation)	-20 °C ... 60 °C (observe derating)

# PSR-MC82-5NO-1NC-1DO-24DC-SC - Extension module



2702382

<https://www.phoenixcontact.com/us/products/2702382>

Ambient temperature (storage/transport)	-40 °C ... 80 °C
Maximum altitude	max. 2000 m (Above sea level)
Max. permissible humidity (storage/transport)	75 % (on average, 85% infrequently, non-condensing)
Max. permissible relative humidity (operation)	75 % (on average, 85% infrequently, non-condensing)
Shock	15g (In the event of stress caused by shock, contact reactions are possible for up to 6 ms.)
Vibration (operation)	10 Hz ... 150 Hz, 2g (In the event of stress caused by vibration, contact reactions are possible for up to 1 ms.)

## Approvals

CE

Identification	CE-compliant
----------------	--------------

## Mounting

Mounting type	DIN rail mounting
Assembly note	See derating curve
Mounting position	vertical or horizontal

# PSR-MC82-5NO-1NC-1DO-24DC-SC - Extension module



2702382

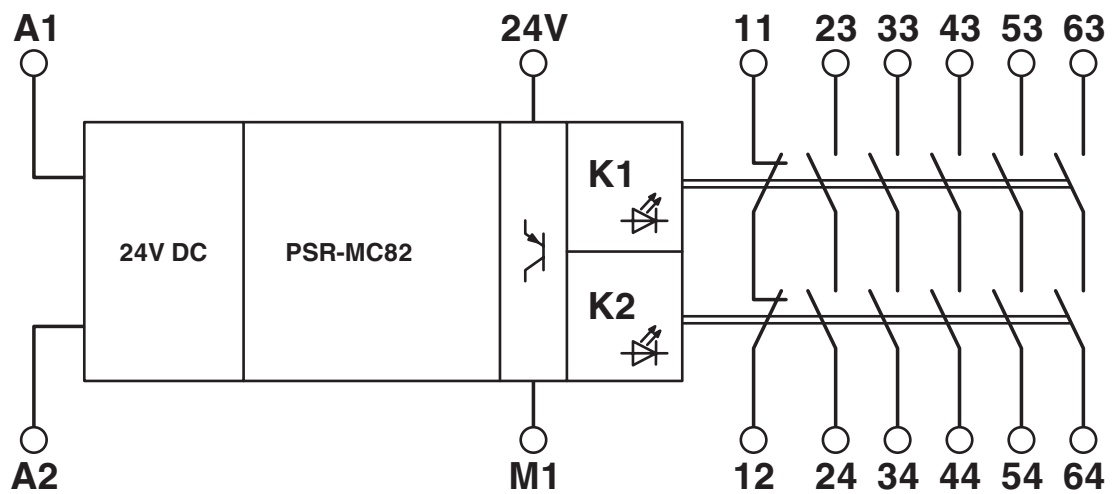
<https://www.phoenixcontact.com/us/products/2702382>

## Drawings

Circuit diagram



Block diagram



Block diagram

# PSR-MC82-5NO-1NC-1DO-24DC-SC - Extension module



2702382

<https://www.phoenixcontact.com/us/products/2702382>

## Approvals

To download certificates, visit the product detail page: <https://www.phoenixcontact.com/us/products/2702382>



### Functional Safety

Approval ID: 44 205 15124303



### Functional Safety

Approval ID: 4478015124303



### cULus Listed

Approval ID: E140324

# PSR-MC82-5NO-1NC-1DO-24DC-SC - Extension module



2702382

<https://www.phoenixcontact.com/us/products/2702382>

## Classifications

### ECLASS

ECLASS-13.0	27371819
ECLASS-15.0	27371819
ECLASS-15.0 ASSET	27250101

### ETIM

ETIM 10.0	EC001449
-----------	----------

### UNSPSC

UNSPSC 21.0	39122200
-------------	----------

# PSR-MC82-5NO-1NC-1DO-24DC-SC - Extension module



2702382

<https://www.phoenixcontact.com/us/products/2702382>

## Environmental product compliance

### EU RoHS

Fulfills EU RoHS substance requirements	Yes
Exemption	7(a), 7(c)-I

### China RoHS

Environment friendly use period (EFUP)	EFUP-50
	An article-related China RoHS declaration table can be found in the download area for the respective article under "Manufacturer declaration". For all articles with EFUP-E, no China RoHS declaration table issued and required.

### EU REACH SVHC

REACH candidate substance (CAS No.)	Lead(CAS: 7439-92-1)
SCIP	5cc21dee-aeaf-4113-b01b-485afa7da360

### EF3.1 Climate Change

CO2e kg	4.284 kg CO2e
---------	---------------

Phoenix Contact 2026 © - all rights reserved  
<https://www.phoenixcontact.com>

Phoenix Contact USA  
586 Fulling Mill Road  
Middletown, PA 17057, United States  
(+717) 944-1300  
[info@phoenixcon.com](mailto:info@phoenixcon.com)