

TC ANT MOBILE WALL 0,5M - Antenna



2702274

<https://www.phoenixcontact.com/us/products/2702274>

Please be informed that the data shown in this PDF document is generated from our online catalog. Please find the complete data in the user documentation. Our general terms of use for downloads are valid.



Multiband cellular antenna for panel mounting, 0.5 m antenna cable, with SMA circular connector, suitable for LTE/4G

Your advantages

- Panel mounting
- Suitable for outdoor/indoor applications

Commercial data

Item number	2702274
Packing unit	1 pc
Minimum order quantity	1 pc
Sales key	DN23
Product key	DNC4Z1
GTIN	4055626070179
Weight per piece (including packing)	205.2 g
Weight per piece (excluding packing)	197 g
Customs tariff number	85177100
Country of origin	GB

TC ANT MOBILE WALL 0,5M - Antenna



2702274

<https://www.phoenixcontact.com/us/products/2702274>

Technical data

Product properties

Product type	Antenna
Radiation characteristics	Omnidirectional
Gain	3 dBi (698 ... 960 MHz)
	5 dBi (1.7 GHz ... 2.7 GHz)
	5 dBi (3.4 GHz ... 3.8 GHz)
Vertical beamwidth	51 ° (850 MHz)
	39 ° (2.1 GHz)
	51 ° (3.5 GHz)
	38 ° (5.5 GHz)
Polarization	Linear vertical

Electrical properties

Frequency band	700 MHz
	800 MHz
	850 MHz
	900 MHz
	1700 MHz
	1800 MHz
	1900 MHz
	2100 MHz
	2600 MHz
	3600 MHz
Frequency range	698 MHz ... 960 MHz
	1.7 GHz ... 2.7 GHz
	3.4 GHz ... 3.8 GHz
Impedance	50 Ω
Maximum capacity	30.00 W
Voltage standing wave ratio VSWR in a 50 Ω system	< 2.50

Connection data

Connection technology

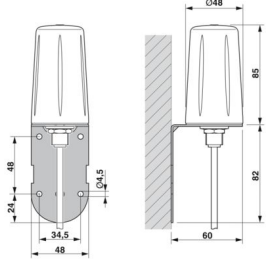
Connection method	SMA (male)
Outside diameter	30 mm ... 45 mm (Mast)

Dimensions

TC ANT MOBILE WALL 0,5M - Antenna

2702274

<https://www.phoenixcontact.com/us/products/2702274>

Dimensional drawing	
Height	82 mm
Diameter	48 mm

External dimensions	
Outside diameter	30 mm ... 45 mm (Mast)

Material specifications

Color	black (RAL 9005)
Material (Radom)	Acrylonitrile styrene acrylate
Material (Base plate)	Aluminum Steel, galvanized
Material (Cable)	CS29 (Ultra-Low Loss) (Outer cable sheath)
Outer sheath, material	CS29 (Ultra-Low Loss)

Cable/line

Cable length	0.50 m
Connecting cable	yes
External cable diameter	5.00 mm
Outer sheath, material	CS29 (Ultra-Low Loss)

Environmental and real-life conditions

Ambient conditions	
Degree of protection	IP66
Ambient temperature (operation)	-40 °C ... 85 °C
Ambient temperature (storage/transport)	-40 °C ... 85 °C
Wind velocity	16.97531 km/h

Mounting

Mounting type	Mast mounting
---------------	---------------

TC ANT MOBILE WALL 0,5M - Antenna

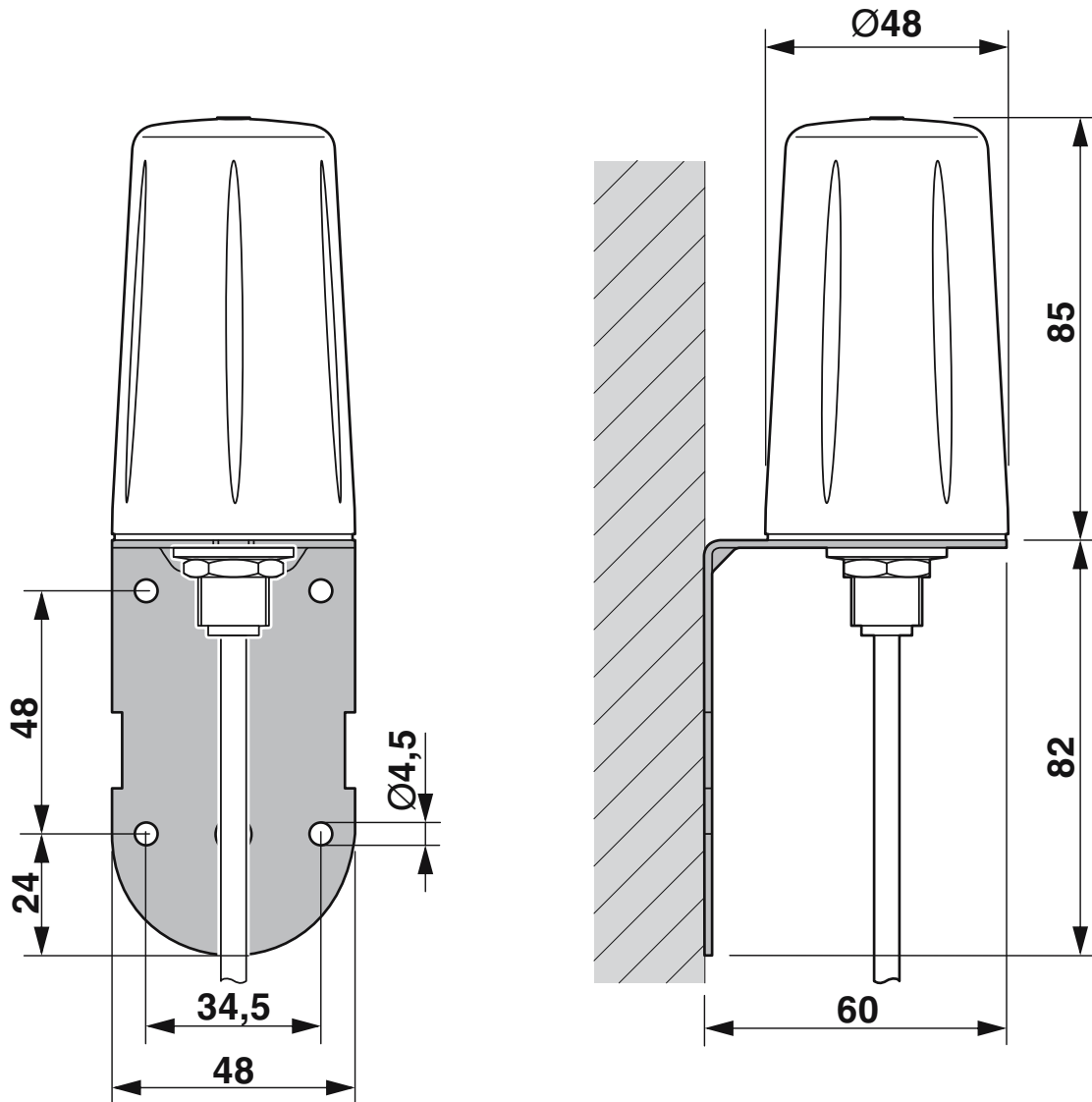


2702274

<https://www.phoenixcontact.com/us/products/2702274>

Drawings

Dimensional drawing



Panel mounting

TC ANT MOBILE WALL 0,5M - Antenna



2702274

<https://www.phoenixcontact.com/us/products/2702274>

Classifications

UNSPSC

UNSPSC 21.0	43223100
-------------	----------

TC ANT MOBILE WALL 0,5M - Antenna



2702274

<https://www.phoenixcontact.com/us/products/2702274>

Environmental product compliance

EU RoHS

Fulfills EU RoHS substance requirements	Yes
Exemption	6(c)

China RoHS

Environment friendly use period (EFUP)	EFUP-E
	No hazardous substances above the limits

EU REACH SVHC

REACH candidate substance (CAS No.)	Lead(CAS: 7439-92-1)
-------------------------------------	----------------------

Phoenix Contact 2026 © - all rights reserved

<https://www.phoenixcontact.com>

Phoenix Contact USA
586 Fulling Mill Road
Middletown, PA 17057, United States
(+717) 944-1300
info@phoenixcon.com